



FIELD SERGEANT HEAVY HARROW

PARTS MANUAL

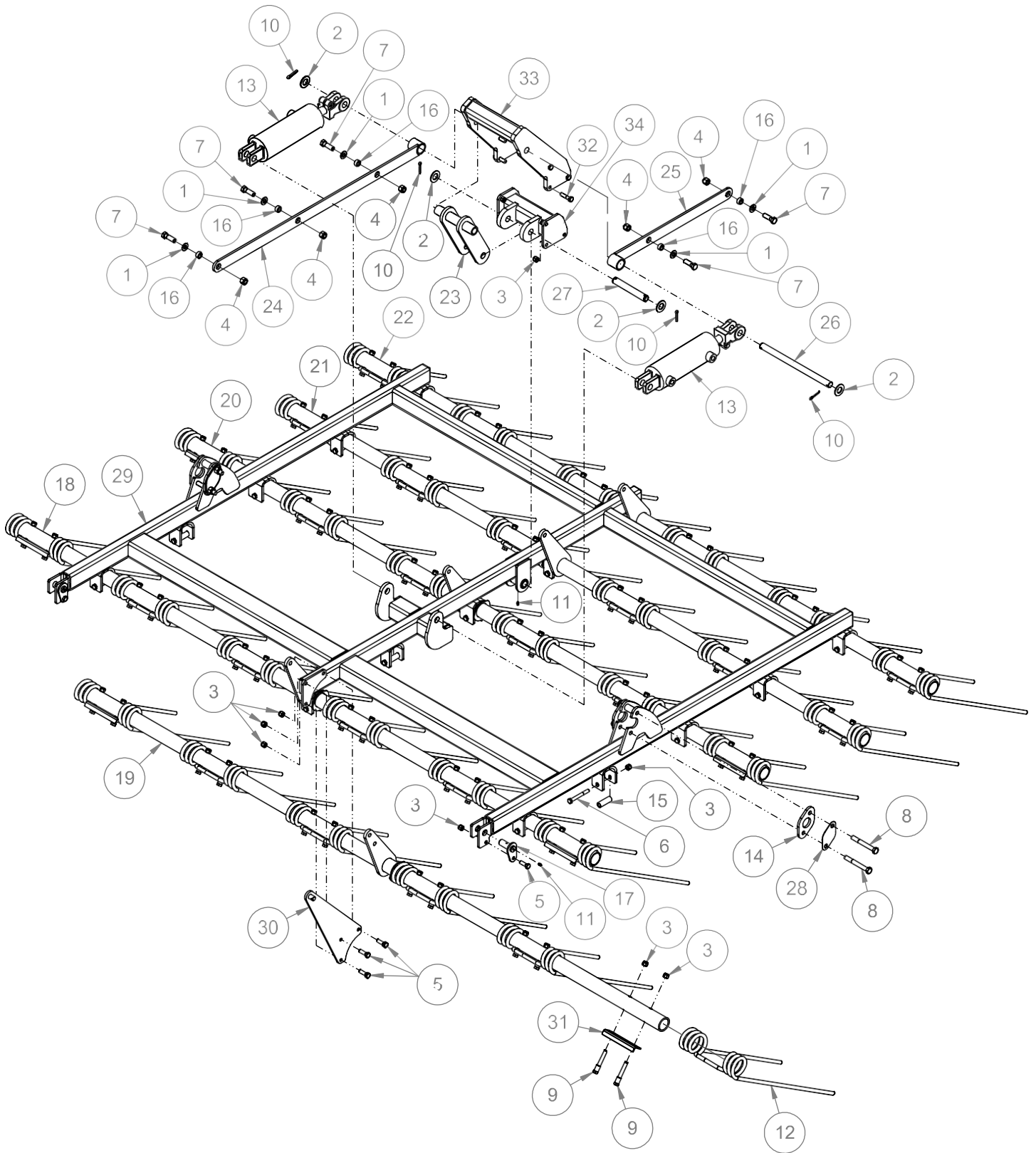
Page intentionally left blank

Table of Contents

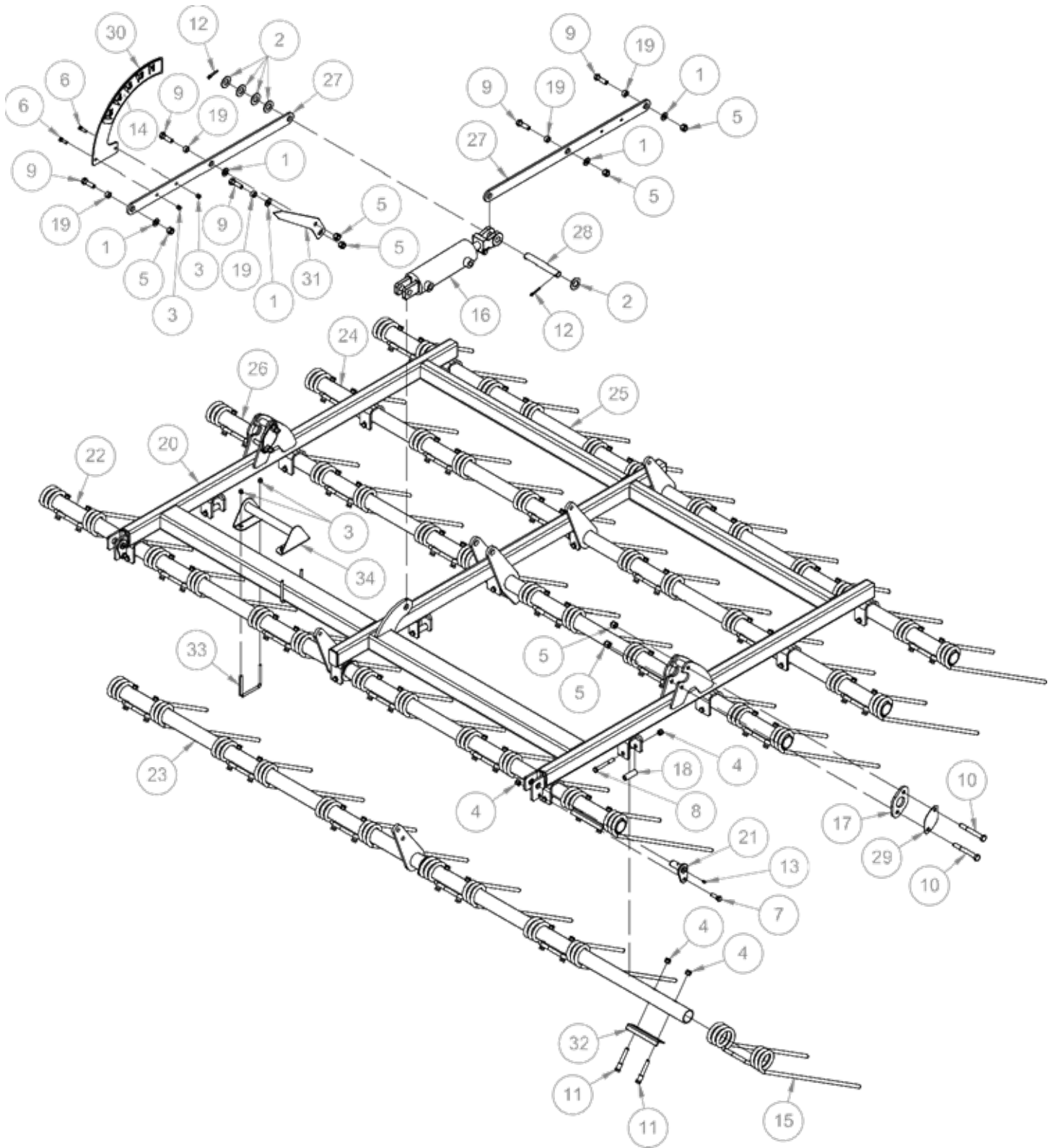
Harrow Frame Assembly, 12' Center	4
Harrow Frame Assembly, 12' Wing.....	6
Harrow Frame Assembly, 10' Wing.....	8
Wing Ends	10
Center Frame and Knuckles.....	12
Draw Tube Latch	14
Level Indicator	16
Hitch, Front.....	18
Spring Cartridge	20
6,000 lb Wheel Hub w/ Standard Spindle.....	21
Decals.....	22

Box 379 | 12159B Hwy 306
Plum Coulee, MB, R0G 1R0
Toll-Free: 1-888-525-5892
Telephone: (204) 829-7712

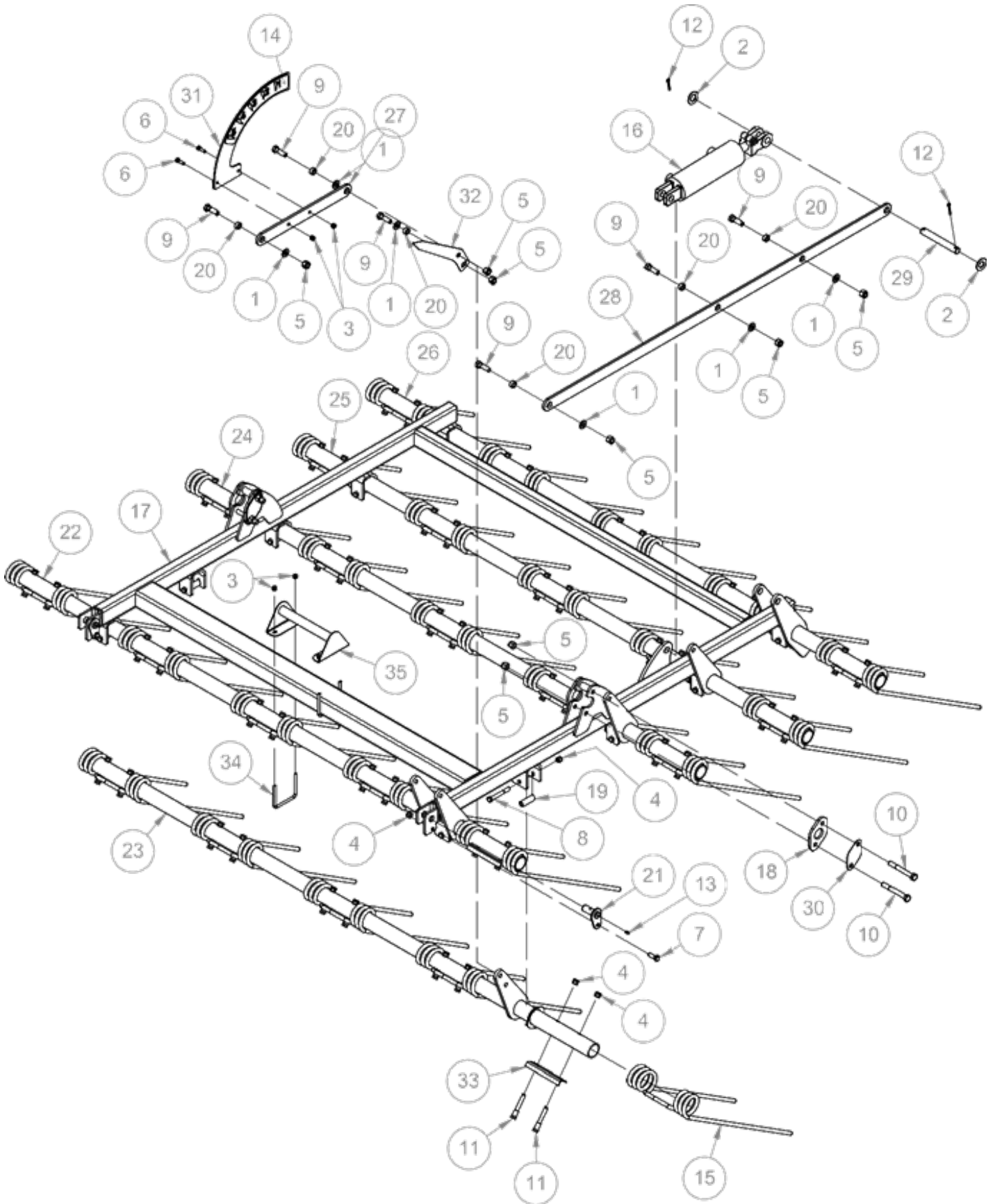
Email: parts@mandako.com / info@mandako.com
<http://www.mandako.com/partsmanuals>



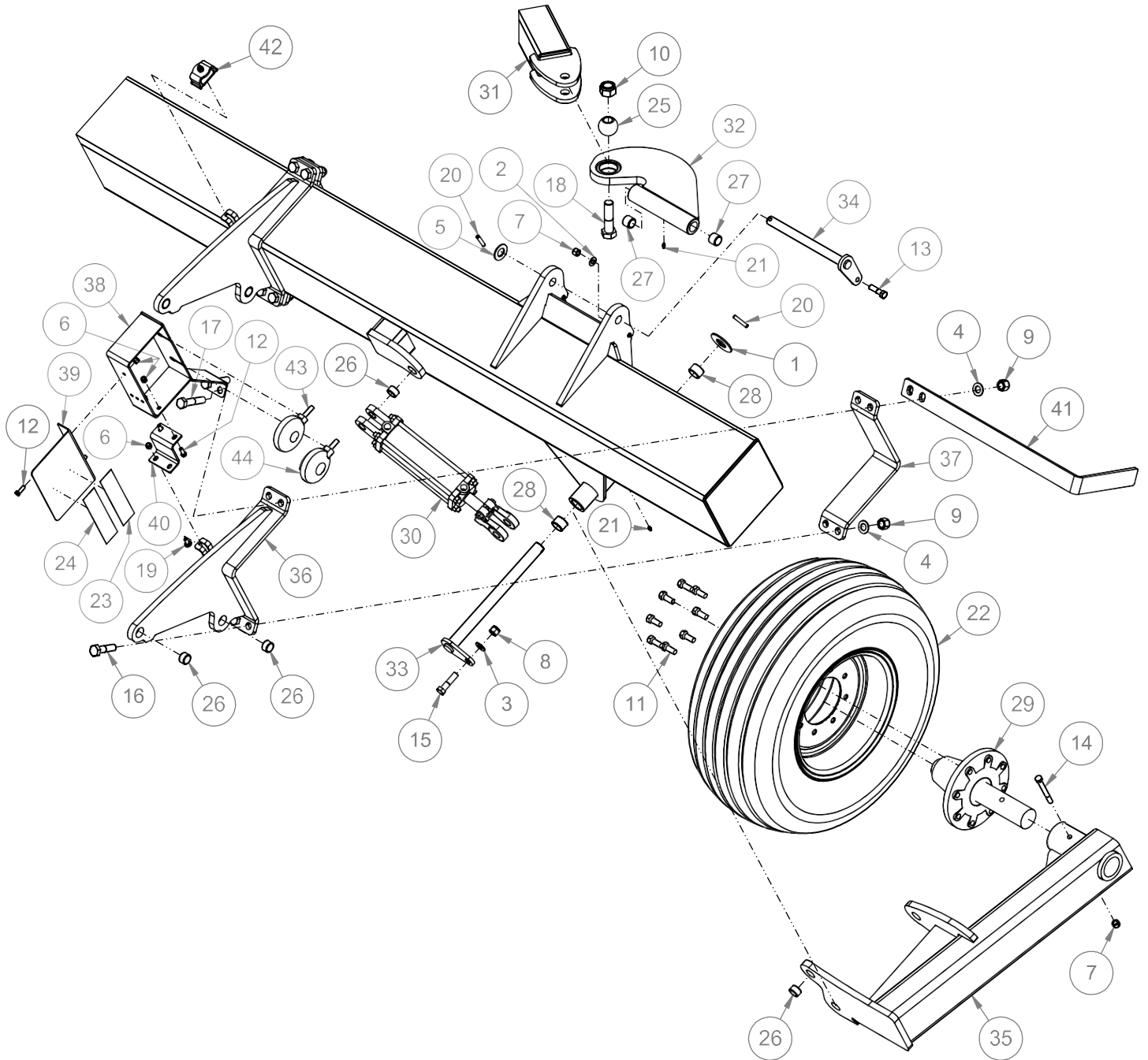
ITEM NO.	PART NUMBER	DESCRIPTION	QTY
1	102-007	WASHER 5/8 PLATED SAE	5
2	102-010	WASHER 1 PLATED SAE	4
3	114-005	LOCKNUT, 1/2" UNC NYL INS GR 2 YZ	86
4	114-007	LOCKNUT, 5/8" UNC NYL INS GR 2 YZ	9
5	125-103	BOLT, 1/2 X 1-1/2 UNC GR5 PLATED	5
6	125-113	BOLT, 1/2 X 4 UNC GR5 PLATED	15
7	125-155	BOLT, 5/8 X 2 UNC GR5 PLATED	5
8	125-167	BOLT, 5/8 X 5 UNC GR5 PLATED	4
9	165-005	SHOULDER BOLT, 1/2 X 3-3/4 UNC GR5 PLATED	60
10	170-079	COTTER PIN, 1/4 X 2 PLATED	4
11	180-005	GREASE ZERK, 1/4-28 UNF STRAIGHT	3
12	212-033 212-145	HARROW TINE, 9/16" WIRE, 26" LG, REM 562 CARBIDE HARROW TINE, 9/16" WIRE, 26" LG	30
13	212-175 212-174	CYL, 3.5 x 8 SAE RPHG, WELDED, Ram P/N R4508886 CYL, 3.75 x 8 SAE RPHG, WELDED, Ram P/N R4508885	2
14	500-1026	CARTRIDGE PIVOT BEARING	4
15	500-1033	SPACER PIPE, HARROW TUBES	15
16	500-1079	SPACER, HARROW LINKAGE	5
17	500-1117	PIN, 1" DIA	2
18	500-1126	HARROW TUBE, 12' (1)	1
19	500-1129	HARROW TUBE, 12' (2)	1
20	500-1131	HARROW TUBE, 12' (3)	1
21	500-1133	HARROW TUBE, 12' (4)	1
22	500-1135	HARROW TUBE, 12' (5)	1
23	500-1140	MASTER CYLINDER PITMAN	1
24	500-1143	PITCH LINK, 12' LONG	1
25	500-1147	PITCH LINK, 12' SHORT	1
26	500-1176	CYLINDER PIN, CENTER FRAME	1
27	500-1273 500-1178	PIN, LONG, PITMAN LOWER PIVOT PREV. STYLE - PIN, PITMAN LOWER PIVOT	1
28	500-1200	PIVOT PIN KEEPER	4
29	500-1207	HARROW FRAME, 12' CENTER, 6" SETBACK	1
30	500-1247	INDICATOR MOUNT, HARROW FRAME	1
31	500-1261	TINE CLIP	6
32	125-105	BOLT, 1/2 X 2 UNC GR5 PLATED	6
33	500-1271	CENTER CYL. BRACE, UPPER	1
34	500-1272	CENTER CYL. BRACE, LOWER	1



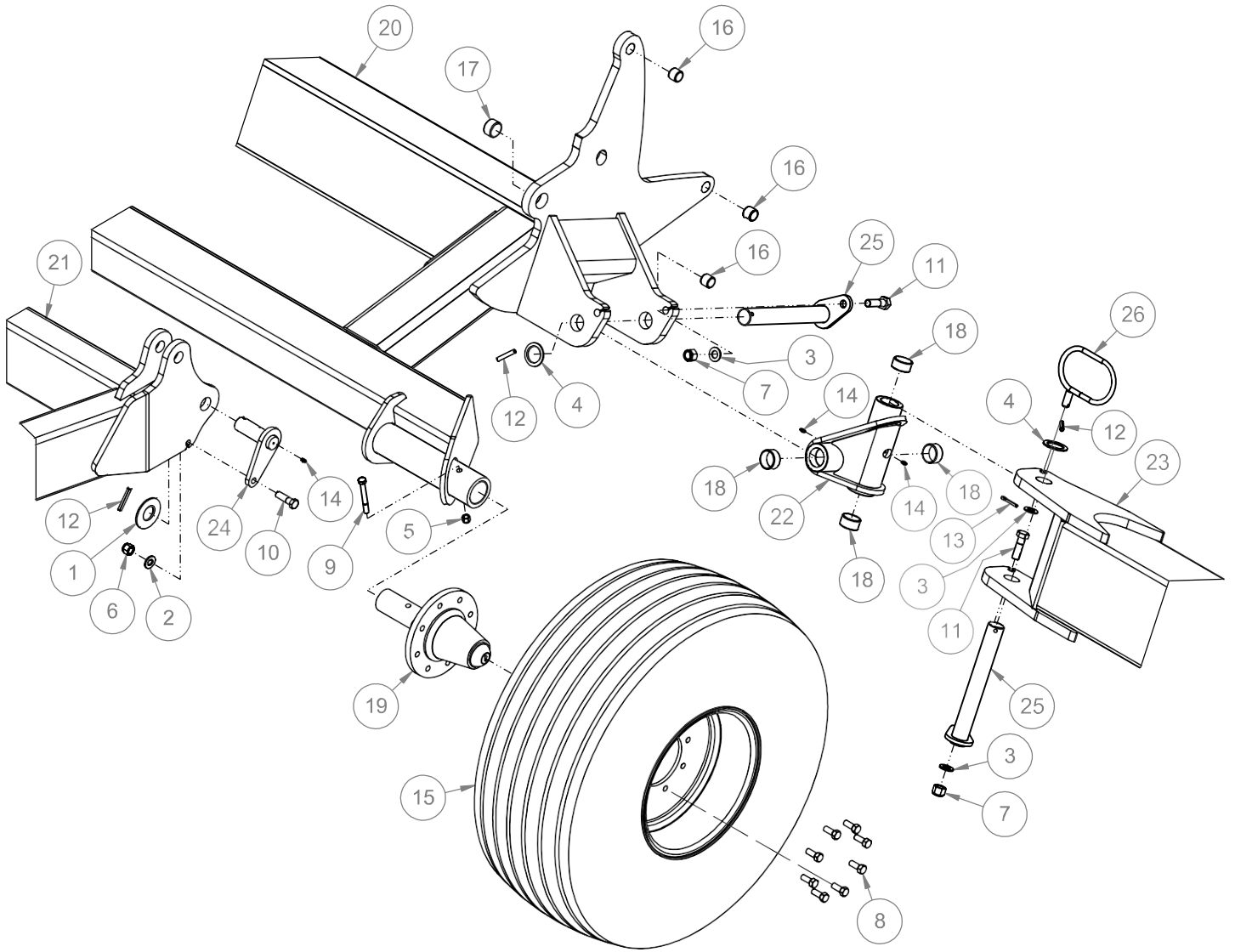
ITEM NO.	PART NUMBER	DESCRIPTION	QTY
1	102-007	WASHER 5/8 PLATED SAE	5
2	102-010	WASHER 1 PLATED SAE	5
3	114-003	LOCKNUT, 3/8" UNC NYL INS GR 2 YZ	6
4	114-005	LOCKNUT, 1/2" UNC NYL INS GR 2 YZ	77
5	114-007	LOCKNUT, 5/8" UNC NYL INS GR 2 YZ	9
6	125-053	BOLT, 3/8 X 1-1/4 UNC GR5 PLATED	2
7	125-103	BOLT, 1/2 X 1-1/2 UNC GR5 PLATED	2
8	125-113	BOLT, 1/2 X 4 UNC GR5 PLATED	15
9	125-155	BOLT, 5/8 X 2 UNC GR5 PLATED	5
10	125-167	BOLT, 5/8 X 5 UNC GR5 PLATED	4
11	165-005	SHOULDER BOLT, 1/2 X 3-3/4 UNC GR5 PLATED	60
12	170-079	COTTER PIN, 1/4 X 2 PLATED	2
13	180-005	GREASE ZERK, 1/4-28 UNF STRAIGHT	2
14	210-020 210-021	DECAL, TINE ANGLE, RH DECAL, TINE ANGLE, LH	1
15	212-033 212-145	HARROW TINE, 9/16" WIRE, 26" LG, REM 562 CARBIDE HARROW TINE, 9/16" WIRE, 26" LG	30
16	212-175 212-176 212-177	CYL, 3.5 x 8 SAE RPHG, WELDED, Ram P/N R4508886 CYL, 3.25 x 8 SAE RPHG, WELDED, Ram P/N R4508887 CYL, 3 x 8 SAE RPHG, WELDED, Ram P/N R4508888	1
17	500-1026	CARTRIDGE PIVOT BEARING	4
18	500-1033	SPACER PIPE, HARROW TUBES	15
19	500-1079	SPACER, HARROW LINKAGE	5
20	500-1082	HARROW FRAME, 12' WING	1
21	500-1117	PIN, 1" DIA	2
22	500-1126	HARROW TUBE, 12' (1)	1
23	500-1129	HARROW TUBE, 12' (2)	1
24	500-1133	HARROW TUBE, 12' (4)	1
25	500-1135	HARROW TUBE, 12' (5)	1
26	500-1137	HARROW TUBE, 12' (3)	1
27	500-1168	PITCH LINK, 12' WING	2
28	500-1174	CYLINDER PIN, WING FRAMES	1
29	500-1200	PIVOT PIN KEEPER	4
30	500-1257	TINE ANGLE GAUGE	1
31	500-1259	POINTER, TINE ANGLE	1
32	500-1261	TINE CLIP	2
33	185-003	U-BOLT, 3/8 X 4-1/16 W X 4 H, UNC GR5 PLATED	2
34	500-1269	SAFETY LOCK STORAGE, REAR WHEEL	1



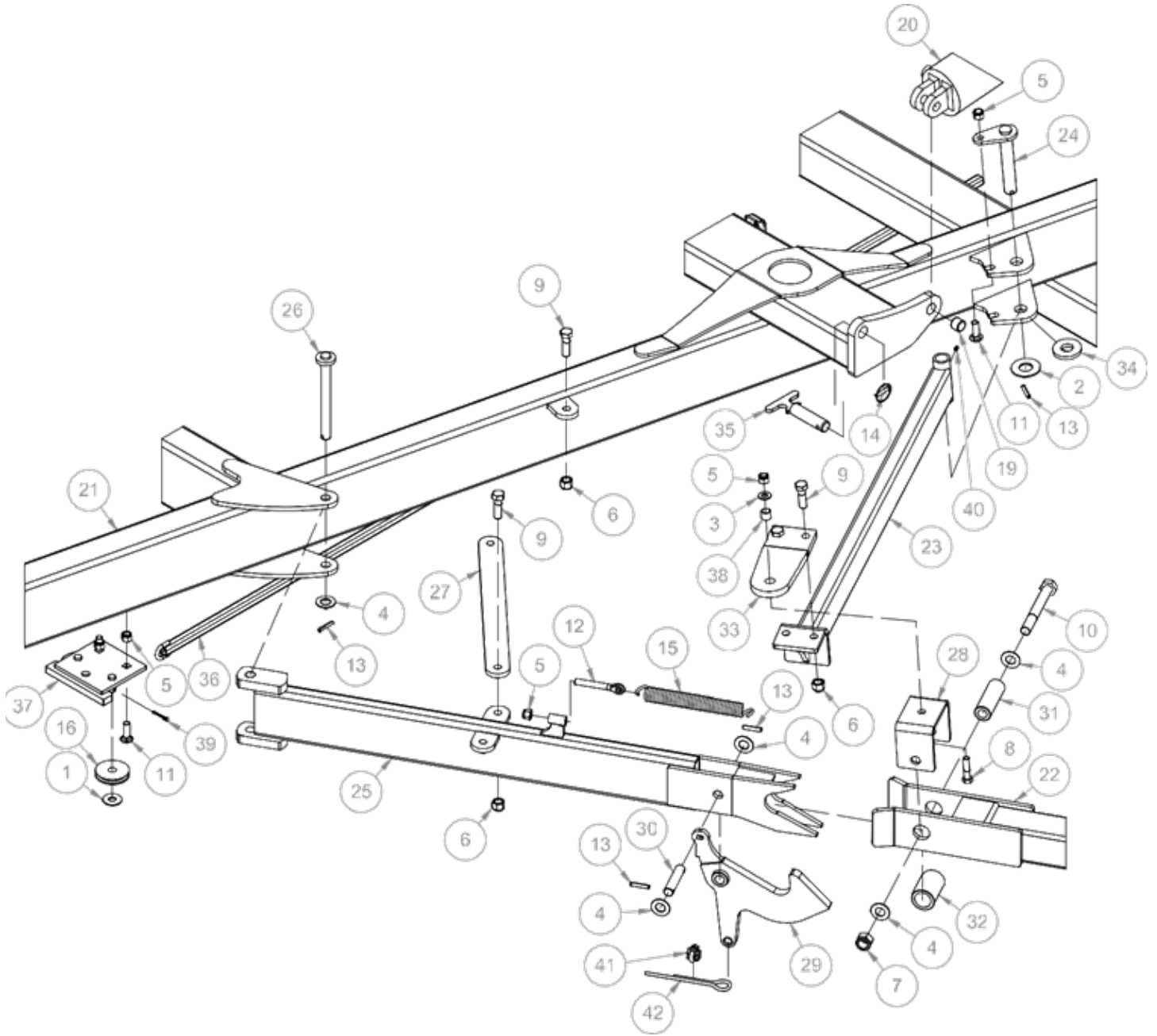
ITEM NO.	PART NUMBER	DESCRIPTION	QTY
1	102-007	WASHER 5/8 PLATED SAE	6
2	102-010	WASHER 1 PLATED SAE	2
3	114-003	LOCKNUT, 3/8" UNC NYL INS GR 2 YZ	6
4	114-005	LOCKNUT, 1/2" UNC NYL INS GR 2 YZ	62
5	114-007	LOCKNUT, 5/8" UNC NYL INS GR 2 YZ	10
6	125-053	BOLT, 3/8 X 1-1/4 UNC GR5 PLATED	2
7	125-103	BOLT, 1/2 X 1-1/2 UNC GR5 PLATED	2
8	125-113	BOLT, 1/2 X 4 UNC GR5 PLATED	10
9	125-155	BOLT, 5/8 X 2 UNC GR5 PLATED	6
10	125-167	BOLT, 5/8 X 5 UNC GR5 PLATED	4
11	165-005	SHOULDER BOLT, 1/2 X 3-3/4 UNC GR5 PLATED	50
12	170-079	COTTER PIN, 1/4 X 2 PLATED	2
13	180-005	GREASE ZERK, 1/4-28 UNF STRAIGHT	2
14	210-020 210-021	DECAL, TINE ANGLE, RH DECAL, TINE ANGLE, LH	1
15	212-033 212-145	HARROW TINE, 9/16" WIRE, 26" LG, REM 562 CARBIDE HARROW TINE, 9/16" WIRE, 26" LG	25
16	212-175 212-176 212-177	CYL, 3.5 x 8 SAE RPHG, WELDED, Ram P/N R4508886 CYL, 3.25 x 8 SAE RPHG, WELDED, Ram P/N R4508887 CYL, 3 x 8 SAE RPHG, WELDED, Ram P/N R4508888	1
17	500-1016	HARROW FRAME, 10' WING	1
18	500-1026	CARTRIDGE PIVOT BEARING	4
19	500-1033	SPACER PIPE, HARROW TUBES	10
20	500-1079	SPACER, HARROW LINKAGE	6
21	500-1117	PIN, 1" DIA	2
22	500-1150	HARROW TUBE, 10' (1)	1
23	500-1152	HARROW TUBE, 10' (2)	1
24	500-1154	HARROW TUBE, 10' (3)	1
25	500-1156	HARROW TUBE, 10' (4)	1
26	500-1160	HARROW TUBE, 10' (5)	1
27	500-1162	PITCH LINK, 10', SHORT	1
28	500-1166	PITCH LINK, 10'	1
29	500-1174	CYLINDER PIN, WING FRAMES	1
30	500-1200	PIVOT PIN KEEPER	4
31	500-1257	TINE ANGLE GAUGE	1
32	500-1259	POINTER, TINE ANGLE	1
33	500-1261	TINE CLIP	2
34	185-003	U-BOLT, 3/8 X 4-1/16 W X 4 H, UNC GR5 PLATED	2
35	500-1269	SAFETY LOCK STORAGE, REAR WHEEL	1



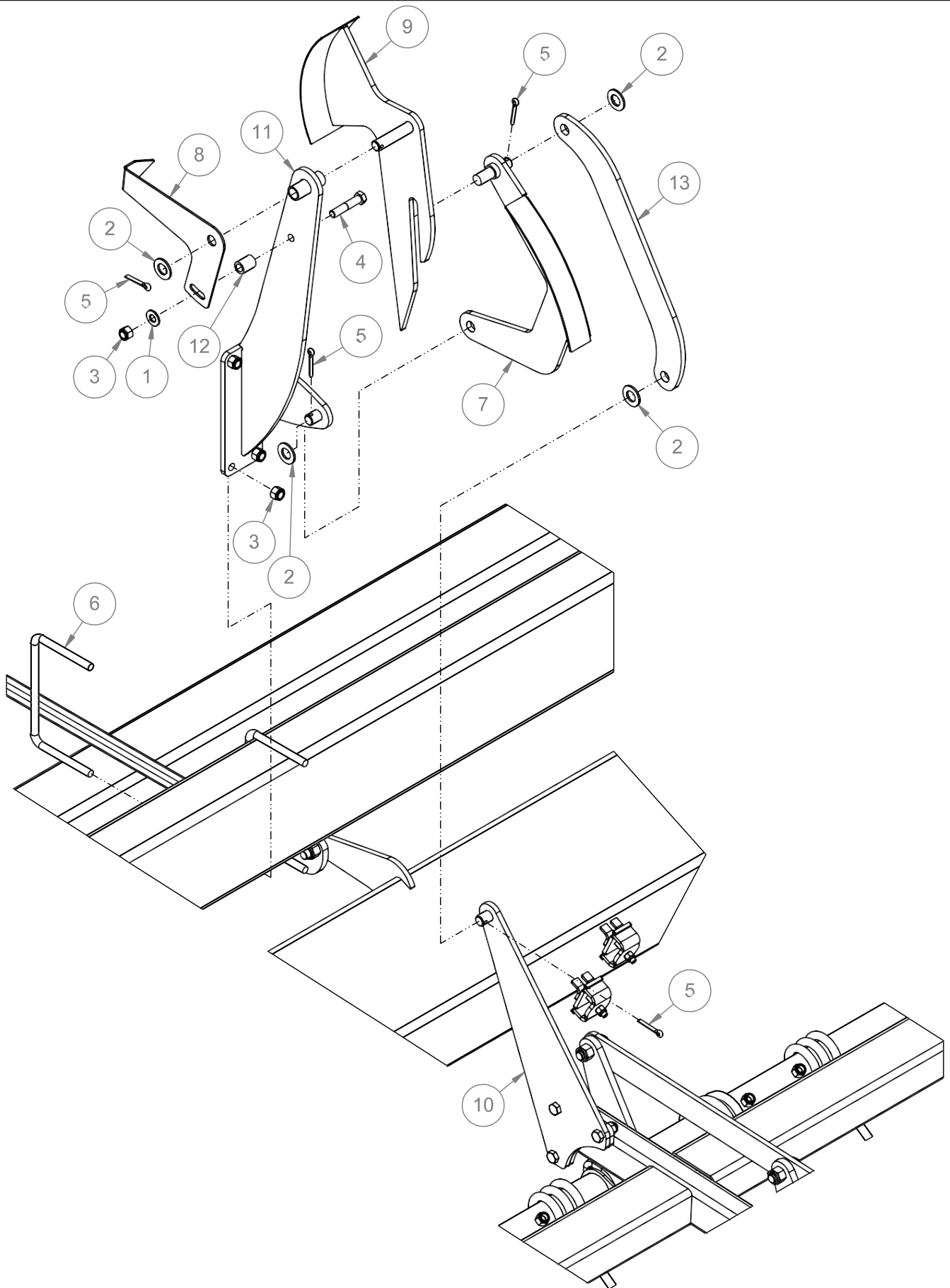
ITEM NO.	PART NUMBER	DESCRIPTION	QTY (SHOWN)
1	101-012	WASHER, 1-1/4 PLATED USS	1
2	102-005	WASHER, 1/2 PLATED SAE	1
3	102-007	WASHER, 5/8 PLATED SAE	1
4	102-008	WASHER, 3/4 PLATED SAE	8
5	102-010	WASHER, 1 PLATED SAE	1
6	114-003	LOCKNUT, 3/8" UNC NYL INS GR 2 YZ	5
7	114-005	LOCKNUT, 1/2" UNC NYL INS GR 2 YZ	2
8	114-007	LOCKNUT, 5/8" UNC NYL INS GR 2 YZ	1
9	114-008	LOCKNUT, 3/4" UNC NYL INS GR 2 YZ	8
10	114-010	LOCKNUT, 1" UNC NYL INS GR 2 YZ	1
11	123-003	WHEEL BOLT, 1/2" UNF (ADR #573Z121)	8
12	125-052	BOLT, 3/8 X 1 UNC GR5 PLATED	4
13	125-105	BOLT, 1/2 X 2 UNC GR5 PLATED	1
14	125-115	BOLT, 1/2 X 4-1/2 UNC GR5 PLATED	1
15	125-157	BOLT, 5/8 X 2-1/2 UNC GR5 PLATED	1
16	125-184	BOLT, 3/4 X 3 UNC GR5 PLATED	6
17	125-186	BOLT, 3/4 X 3-1/2 UNC GR5 PLATED	2
18	125-246	BOLT, 1 X 4 UNC GR5 PLATED	1
19	145-052	CARR. BOLT, 3/8 X 1 UNC GR5 PLATED	1
20	170-027	ROLL PIN, 3/8 X 2 PLATED	2
21	180-005	GREASE ZERK, 1/4-28 UNF STRAIGHT	2
22	208-001	WHEEL & TIRE, TITAN STUBBLE GUARD 12.5 x 15	1
23	210-038	DECAL, ORANGE RETROFLECTIVE 2" X 9"	1
24	210-039	DECAL, RED RETROFLECTIVE 2" X 9"	1
25	212-058-02	SPEECO TOP LINK BALL JOINT BALL, P/N: CB5 B2219	1
26	212-059	TENSION BUSHING, 1" ID X 1-1/4" OD X 3/4" LG	6
27	212-060	TENSION BUSHING, 1" ID X 1-1/4" OD X 1" LG	2
28	212-064	TENSION BUSHING, 1-1/4" ID X 1-1/2" OD X 1" LG	2
29	212-106	6000# 8 BOLT, HUB/STD SPDL ASSM	1
30	212-178	CYL, 3 x 8 SAE, TIEROD, Ram P/N R4508889	1
31	500-1029 500-1061	DRAW TUBE, 52' / 60' / 72' DRAW TUBE, 84' (NOT SHOWN)	1
32	500-1039	DRAW TUBE LUG	1
33	500-1104	PIN, WING WHEEL, 1-1/4" DIA	1
34	500-1106	PIN, DRAW TUBE LUG, 1" DIA	1
35	500-1215 500-1217	WING WHEEL FRAME, LEFT, 8 BOLT (NOT SHOWN) WING WHEEL FRAME, RIGHT, 8 BOLT	1
36	500-1221	HARROW FRAME MOUNT	2
37	500-1223	TUBE CLAMP	2
38	500-1225	LIGHT BRACKET	1
39	500-1229	PANEL, REFLECTIVE DECALS	1
40	500-1231	BRACKET, TO HOSE CLIP	1
41	500-1265	BOOM, END MARKER	1
42	600-1061	HOSE CLAMP KIT, 7/8" X 2-1/8"	1
43	-	AMBER FLASHING LAMP, PEDESTAL	1
44	-	RED TAIL LAMP, PEDESTAL	1



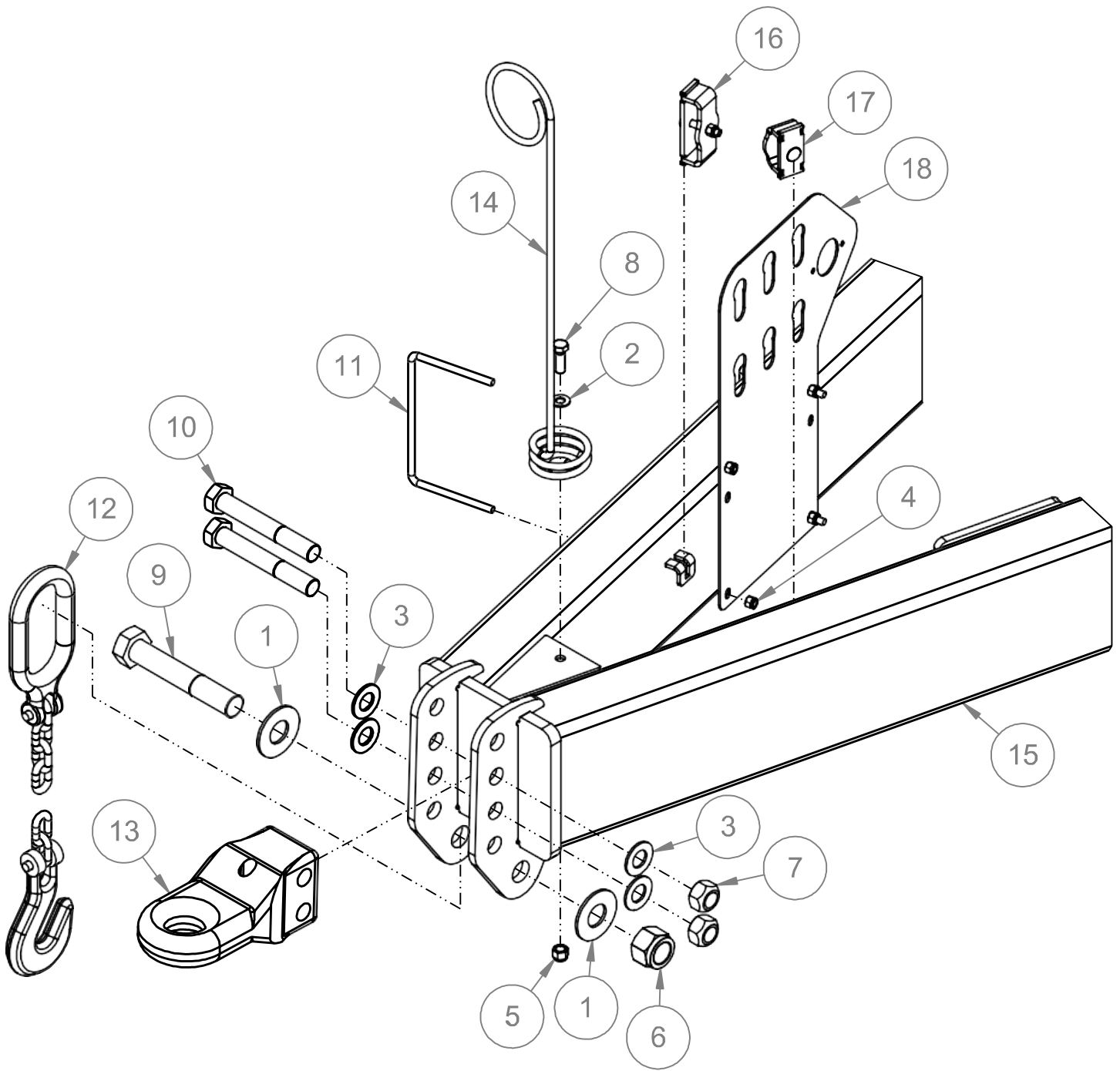
ITEM NO.	PART NUMBER	DESCRIPTION	QTY (SHOWN)
1	101-014	WASHER, 1-1/2 PLATED USS	1
2	102-007	WASHER, 5/8 PLATED SAE	1
3	102-008	WASHER, 3/4 PLATED SAE	3
4	104-003	WASHER, 1-3/4" ID x 2-1/2" OD x 10GA	2
5	114-005	LOCKNUT, 1/2" UNC NYL INS GR 2 YZ	1
6	114-007	LOCKNUT, 5/8" UNC NYL INS GR 2 YZ	1
7	114-008	LOCKNUT, 3/4" UNC NYL INS GR 2 YZ	2
8	123-003	WHEEL BOLT, 1/2" UNF (ADR #573Z121)	8
9	125-114	BOLT, 1/2 X 4-1/4 UNC GR5 PLATED	1
10	125-156	BOLT, 5/8 X 2-1/4 UNC GR5 PLATED	1
11	125-182	BOLT, 3/4 X 2-1/2 UNC GR5 PLATED	2
12	170-028	ROLL PIN, 3/8 X 2-1/2 PLATED	3
13	170-079	COTTER PIN, 1/4 X 2 PLATED	1
14	180-005	GREASE ZERK, 1/4-28 UNF STRAIGHT	3
15	208-005	WHEEL & TIRE, 16.5 X 16.1 GOODYEAR SOFT TRAC II	1
16	212-060	TENSION BUSHING, 1" ID X 1-1/4" OD X 1" LG	3
17	212-066	TENSION BUSHING, 1-1/2" ID X 1-3/4" OD X 1" LG	1
18	212-069	TENSION BUSHING, 1-3/4" ID X 2" OD X 1" LG	4
19	212-106	6000# 8 BOLT, HUB/STD SPDL ASSM	1
20	500-1002	CENTER BOOM	1
21	500-1005	HITCH	1
22	500-1036	KNUCKLE	1
23	500-1019 500-1023 500-1067 500-1070 500-1119 500-1122 500-1209 500-1211 500-1213	BOOM, RIGHT 72' (NOT SHOWN) BOOM, LEFT 72' (NOT SHOWN) BOOM, RIGHT 52' (NOT SHOWN) BOOM, LEFT 52' BOOM, RIGHT 60' (NOT SHOWN) BOOM, LEFT 60' (NOT SHOWN) STUB, 84' BOOM (NOT SHOWN) BOOM, RIGHT 84', SPLICED (NOT SHOWN) BOOM, LEFT 84', SPLICED (NOT SHOWN)	1
24	500-1111	PIN, CENTER PIVOT, 1-1/2" DIA	1
25	500-1114	PIN, KNUCKLE, 1-3/4" DIA	2
26	500-1204	HOSE ORGANIZER LOOP	1



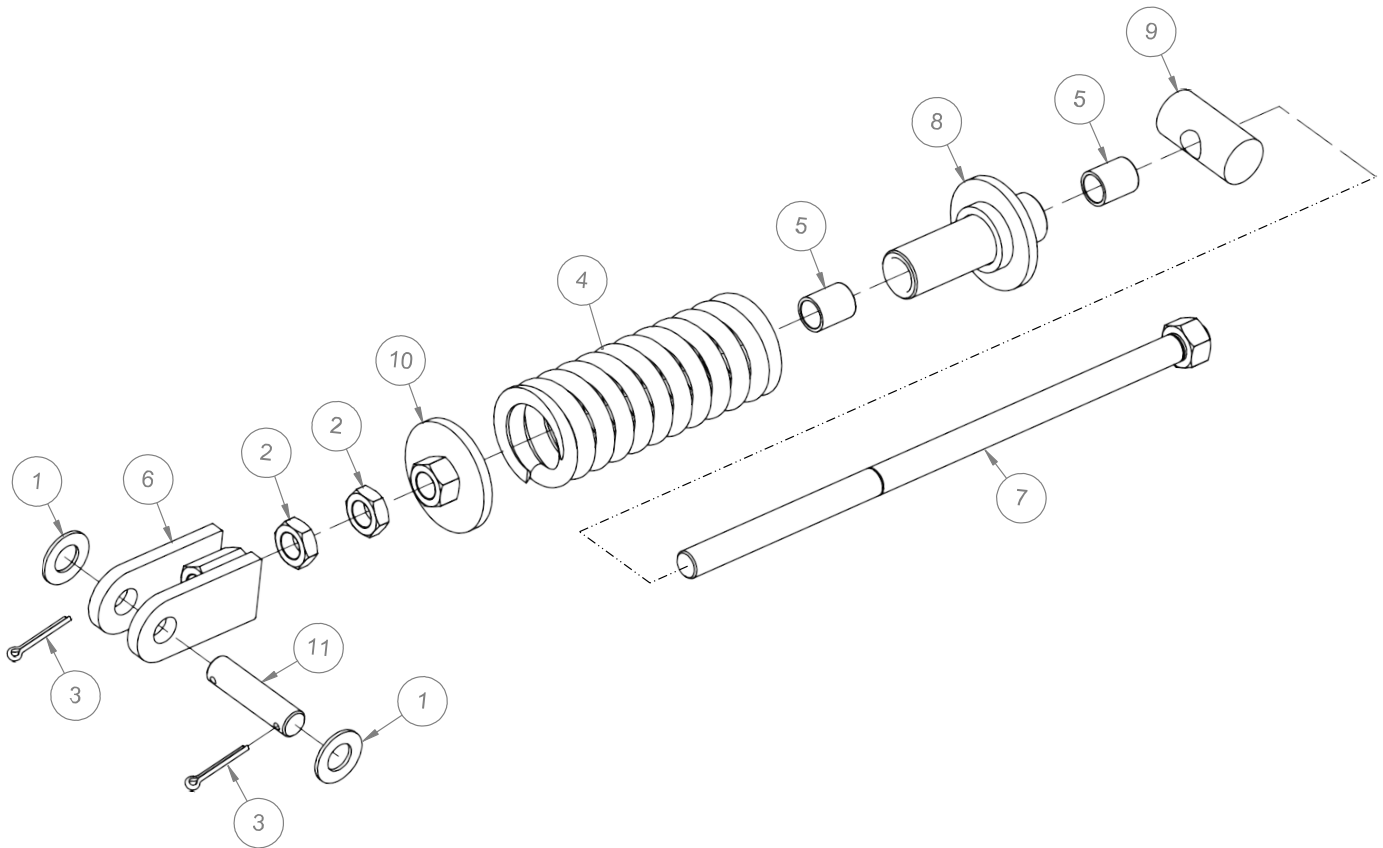
ITEM NO.	PART NUMBER	DESCRIPTION	QTY (SHOWN)
1	101-008	WASHER, 3/4 PLATED ASME WIDE	1
2	101-012	WASHER, 1-1/4 PLATED USS	1
3	102-007	WASHER, 5/8 PLATED SAE	1
4	102-010	WASHER, 1 PLATED SAE	5
5	114-007	LOCKNUT, 5/8" UNC NYL INS GR 2 YZ	5
6	114-008	LOCKNUT, 3/4" UNC NYL INS GR 2 YZ	4
7	114-010	LOCKNUT, 1" UNC NYL INS GR 2 YZ	1
8	125-157	BOLT, 5/8 X 2-1/2 UNC GR5 PLATED	1
9	125-182	BOLT, 3/4 X 2-1/2 UNC GR5 PLATED	4
10	125-262	BOLT, 1 X 8 UNC GR5 PLATED	1
11	145-156	CARR. BOLT, 5/8 X 2 UNC GR5 PLATED	3
12	165-007	EYEBOLT, 5/8", GR5, PLATED	1
13	170-027	ROLL PIN, 3/8 X 2 PLATED	4
14	170-052	LYNCH PIN, 5/16 X 1	1
15	212-031	EXTENSION SPRING, 5/16" WIRE, 20.5 COILS, 8.8 FL	1
16	212-054	SHEAVE, 5/16" WIRE, 3-1/2" OD, 5/8" THICK	2
17	212-056	CABLE, 5/16" (NOT SHOWN)	-
18	212-057	CABLE CLAMP, 5/16" (NOT SHOWN)	3
19	212-060	TENSION BUSHING, 1" ID X 1-1/4" OD X 1" LG	1
20	212-180	5" x 30", Ram Part No. R4508884	1
21	500-1005	HITCH	1
22	500-1029 500-1061	DRAW TUBE, 52' / 60' / 72' DRAW TUBE, 84' (NOT SHOWN)	1
23	500-1041 500-1194	DRAFT LINK CARRIER ARM DRAFT LINK CARRIER ARM, 84' (NOT SHOWN)	1
24	500-1044	PIN, DRAFT LINK CARRIER	1
25	500-1047 500-1202	DRAW TUBE LATCH DRAW TUBE LATCH, 84' (NOT SHOWN)	1
26	500-1051	PIN, DRAW TUBE LATCH - CENTER FRAME	1
27	500-1056 500-1186	DRAFT LINK STABILIZER DRAFT LINK STABILIZER, 84' (NOT SHOWN)	1
28	500-1058	DRAFT BOOM CARRIER CLEVIS	1
29	500-1064	DRAFT HOOK	1
30	500-1170	DRAW LATCH PIN	1
31	500-1180	LATCH SPACER TUBE	1
32	500-1182	LATCH ROLLER	1
33	500-1188	DRAFT LINK CARRIER LUG	1
34	500-1192	WASHER, 1-1/4" ID, 3/8" THICK	1
35	500-1196	TRANSPORT PIN, 1-1/4" DIA.	1
36	500-1235	CABLE PULL TUBE	1
37	500-1237	CABLE PULLEY MOUNT	1
38	500-1263	SPACER, DRAFT LINK ARM	1
39	170-079	COTTER PIN, 1/4 X 2 PLATED	2
40	180-005	GREASE ZERK, 1/4-28 UNF STRAIGHT	1
41	212-056	5/16" WIRE ROPE	194"
42	212-057	5/16" WIRE ROPE CLIP	3



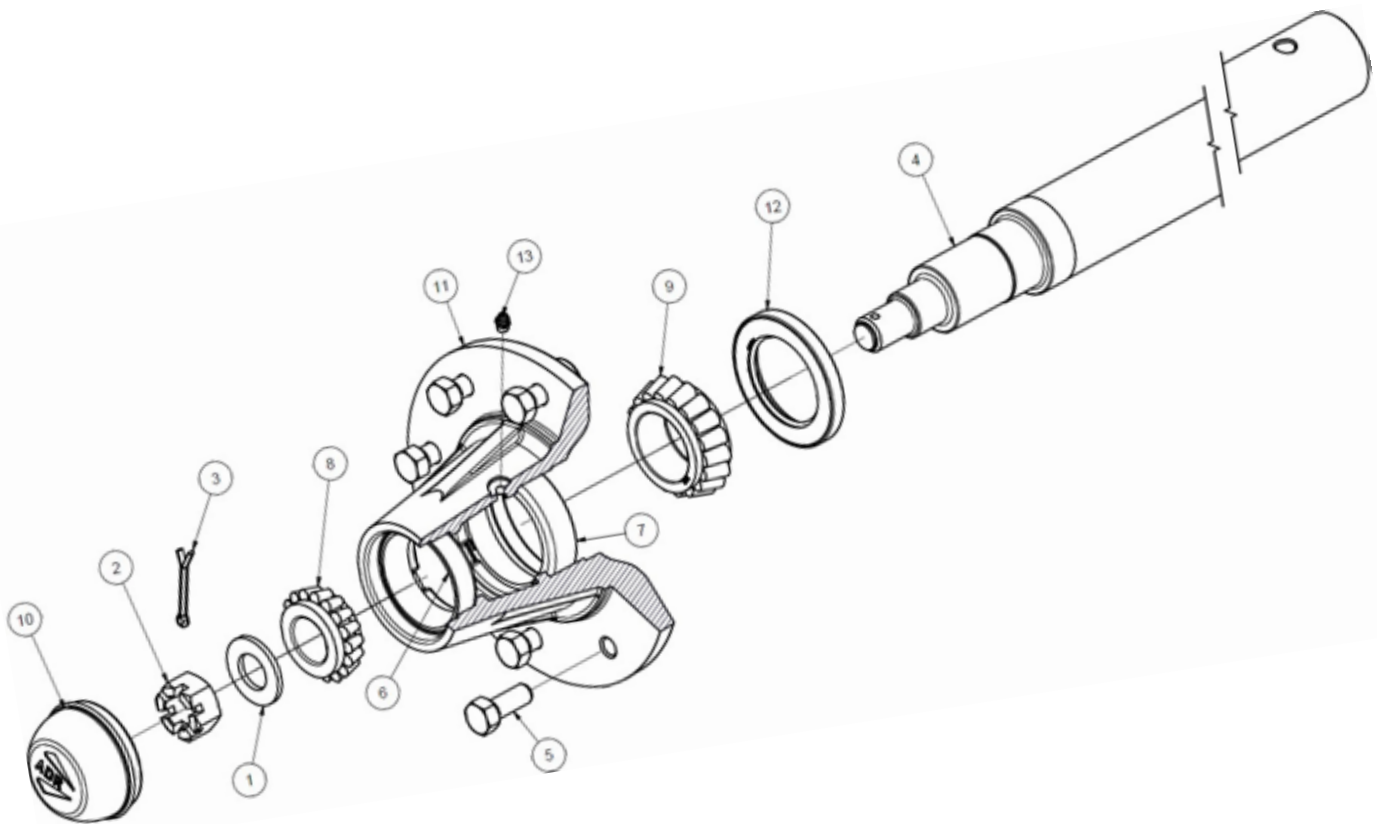
ITEM NO.	PART NUMBER	DESCRIPTION	QTY (SHOWN)
1	102-005	WASHER, 1/2 PLATED SAE	1
2	102-008	WASHER, 3/4 PLATED SAE	4
3	114-005	LOCKNUT, 1/2" UNC NYL INS GR 2 YZ	5
4	125-107	BOLT, 1/2 X 2-1/2 UNC GR5 PLATED	1
5	170-079	COTTER PIN, 1/4 X 2 PLATED	4
6	185-001	U-BOLT, 1/2 X 8-1/8 W X 5 H, UNC GR5 PLATED	2
7	500-1239	LINK WITH GUIDE	1
8	500-1243	POINTER	1
9	500-1245	LEVEL INDICATOR	1
10	500-1247	INDICATOR MOUNT, HARROW FRAME	1
11	500-1249	INDICATOR MOUNT, MAIN FRAME	1
12	500-1253	SPACER	1
13	500-1255	LINK, LEVEL INDICATOR	1



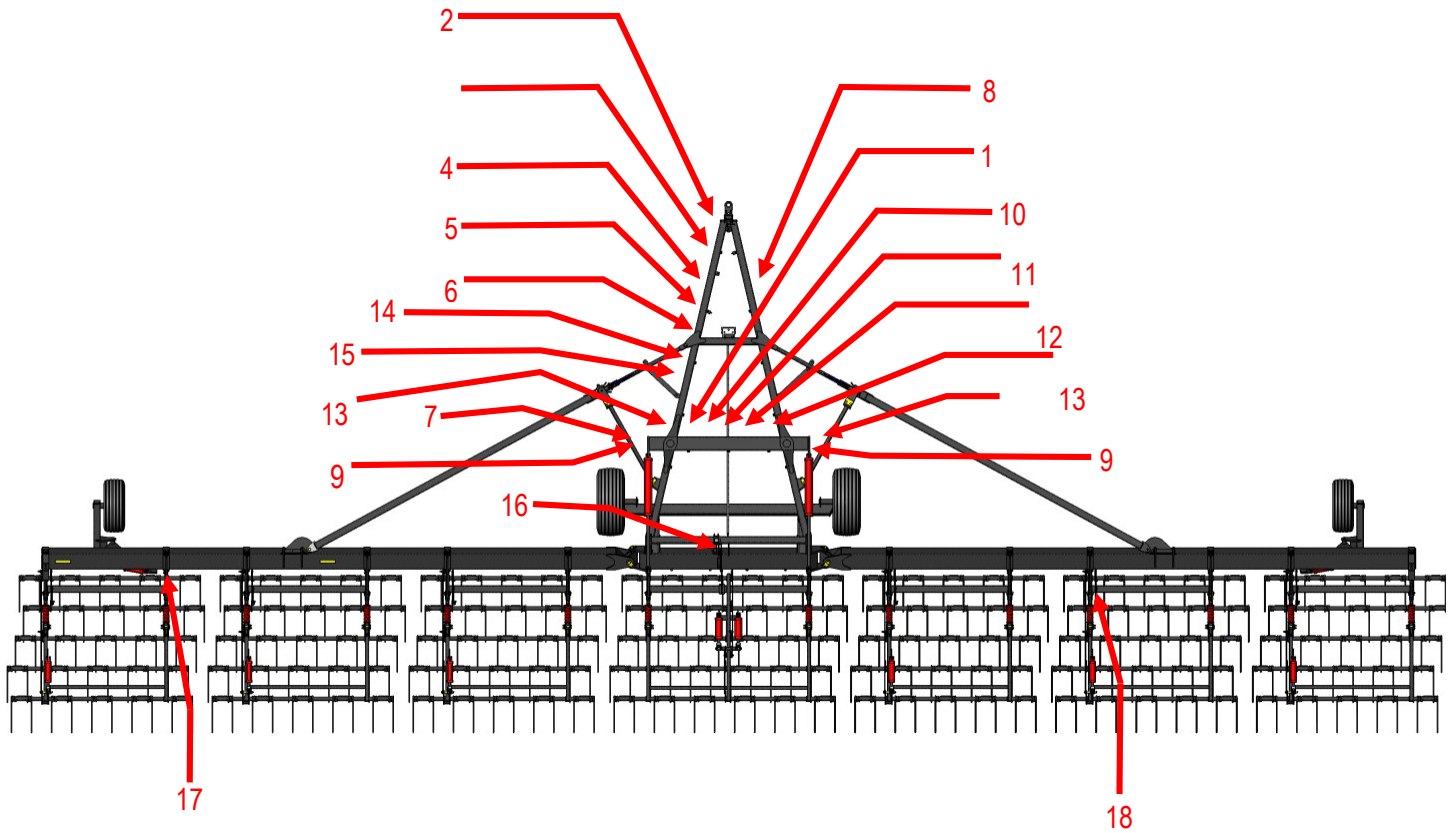
ITEM NO.	PART NUMBER	DESCRIPTION	QTY (SHOWN)
1	101-012	WASHER, 1-1/4 PLATED USS	2
2	102-005	WASHER, 1/2 PLATED SAE	1
3	102-010	WASHER, 1 PLATED SAE	4
4	114-003	LOCKNUT, 3/8" UNC NYL INS GR 2 YZ	4
5	114-005	LOCKNUT, 1/2" UNC NYL INS GR 2 YZ	1
6	114-012	LOCKNUT, 1-1/4" UNC NYL INS GR 2 YZ	1
7	119-010	STOVER NUT, 1 UNF GR 2 PLATED	2
8	125-103	BOLT, 1/2 X 1-1/2 UNC GR5 PLATED	1
9	130-328	BOLT, 1-1/4 X 7-1/2 UNC GR8 PLATED	1
10	140-258	BOLT, 1 X 7 UNF GR8 PLATED	2
11	185-025	U-BOLT, 3/8 X 8-1/16 W X 5 H, UNC GR5 PLATED	2
12	212-027	CHAIN, SAFETY, 21,000 lb, 3/8" x 50" lg	1
13	212-028	HITCH, CAT 4, CTD PP42XL	1
14	212-030	PIGTAIL HOSE HOLDER	1
15	500-1005	HITCH	1
16	600-1057	HOSE CLAMP ASSY, 13/16" X 3-7/8"	1
17	600-1061	HOSE CLAMP KIT, 7/8" X 2-1/8"	1
18	600-1180-01	HYDRAULIC HOSE HOLDER	1



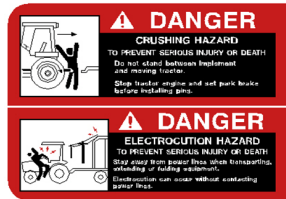
ITEM NO.	PART NUMBER	DESCRIPTION	QTY
-	500-1086	SPRING CARTRIDGE ASSEMBLY (COMPLETE)	-
1	102-010	WASHER, 1 PLATED SAE	2
2	112-010	JAM NUT, 1 UNC GR 2 PLATED	2
3	170-080	COTTER PIN, 1/4 X 2 PLATED	2
4	212-032	COMPRESSION SPRING, 5/8 WIRE, 3-1/8" PD, 14.75" FL	1
5	212-055	JSI-1620-24 IGLIDE J SLEEVE BEARING	2
6	500-1088	SPRING CLEVIS	1
7	500-1090	SPRING BOLT	1
8	500-1092	SPRING BASE	1
9	500-1094	TRUNNION	1
10	500-1096	SPRING ADJUSTER	1
11	500-1172	SPRING CARTRIDGE PIN	1



ITEM NO.	PART NUMBER	DESCRIPTION	QTY
-	212-106	COMPLETE ADR 8-BOLT 6,000 lb HUB ASSY, STANDARD SPINDLE	1
1	101-010	WASHER, M26	1
2	-	1" – 14 UNS CASTLE NUT	1
3	170-078	COTTER PIN, 5mm x 50mm	1
4	212-107	SPINDLE, STANDARD (HUB FLANGE FACE TO SHAFT END = 8-7/8")	1
5	165-002	WHEEL BOLT, 9/16" - 18 UNF	8
6	212-112	OUTER BEARING CUP, 2720	1
7	212-110	INNER BEARING CUP, 3720	1
8	212-113	OUTER BEARING CONE, 2790	1
9	212-111	INNER BEARING CONE, 3780	1
10	212-114	ADR DUST CAP	1
11	212-115	ADR 8-BOLT 6,000 lb HUB, 61LZKY002	1
12	212-116	GREASE SEAL	1
13	180-002	GREASE FITTING, M08 x 1.25	1



1



2



7



8



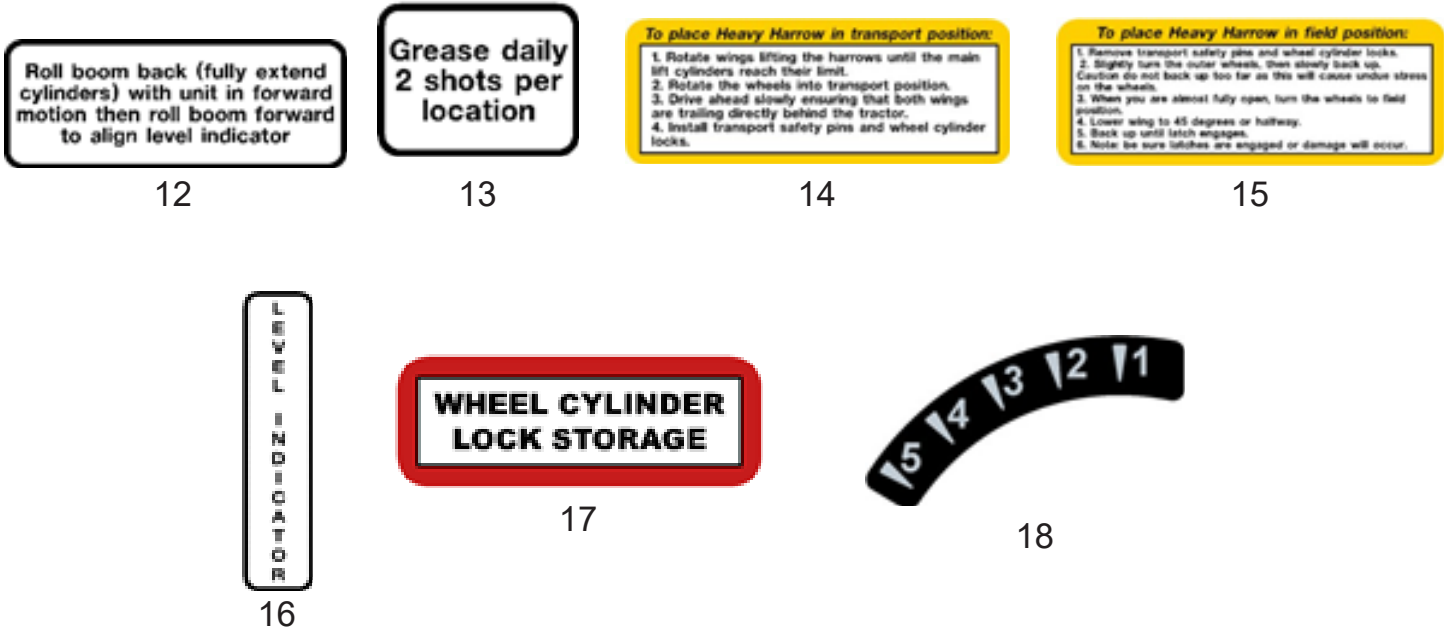
9



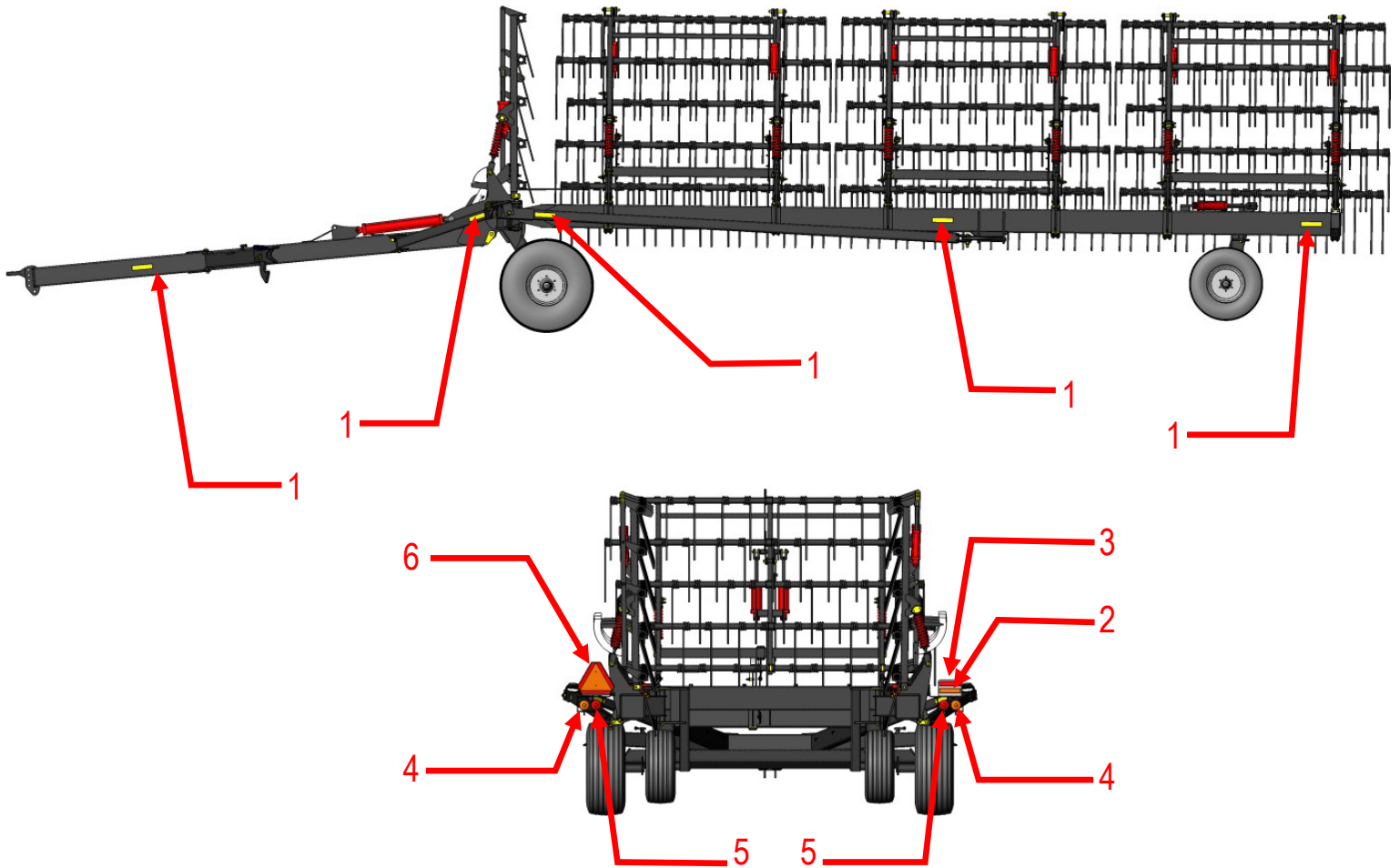
10



11



ITEM NO.	PART NUMBER	DESCRIPTION	QTY
1	210-001	TRANSPORT LOCK PIN DECAL	1
2	210-034	MULTI-WARNING DECAL (Includes fig. items 2-6)	1
7	210-007	SAFETY LOCKS WARNING DECAL	1
8	210-008	MADE IN CANADA DECAL	1
9	210-023	TRANSPORT SAFETY PIN STORAGE DECAL	2
10	210-025	TINE ANGLE DECAL	1
11	210-026	REMOVE PINS/LOCKS DECAL	1
12	210-027	ROLL BOOM BACK/FORWARD TO ALIGN DECAL	1
13	210-028	GREASE DAILY DECAL	2
14	210-029	TRANSPORT POSITION DECAL	1
15	210-030	FIELD POSITION DECAL	1
16	210-024	LEVEL INDICATOR DECAL	1
17	210-022	WHEEL CYLINDER LOCK STORAGE DECAL	1
18	210-020	LEVEL INDICATOR (LEFT) DECAL	1
	210-021	LEVEL INDICATOR (RIGHT) DECAL	1



ITEM NO.	PART NUMBER	DESCRIPTION	QTY
1	INQUIRE	YELLOW REFLECTOR	10
2		ORANGE REFLECTOR	1
3		RED REFLECTOR	1
4		ORANGE LIGHT	1
5		RED LIGHT	1
6		SMV SIGN	1

Page intentionally left blank



REVISION: 1.0

PART #: R9912028

RELEASED: APRIL 01, 2022

MANDAKO AGRI MARKETING (2010) LTD.



Printed in Canada