

MANDAKO



**MINI & SINGLE
LAND ROLLER**

40 SERIES

PARTS MANUAL

**Box 379 | 12159B Hwy 306
Plum Coulee, MB R0G 1R0
Toll-Free: 1-888-525-5892
Telephone: (204) 829-3092
Fax: (204) 829-7712
Email: parts@mandako.com / info@mandako.com
<http://www.mandako.com/partsmanuals>**

Single Land Roller Overview2

Mini Land Roller Overview3

Single Land Roller4

Single Land Roller5

Mini Land Roller Front View6

Mini Land Roller Front View7

Mini Land Roller Rear View8

Mini Land Roller Rear View9

Lighting & Hydraulics10

Acre Counter11

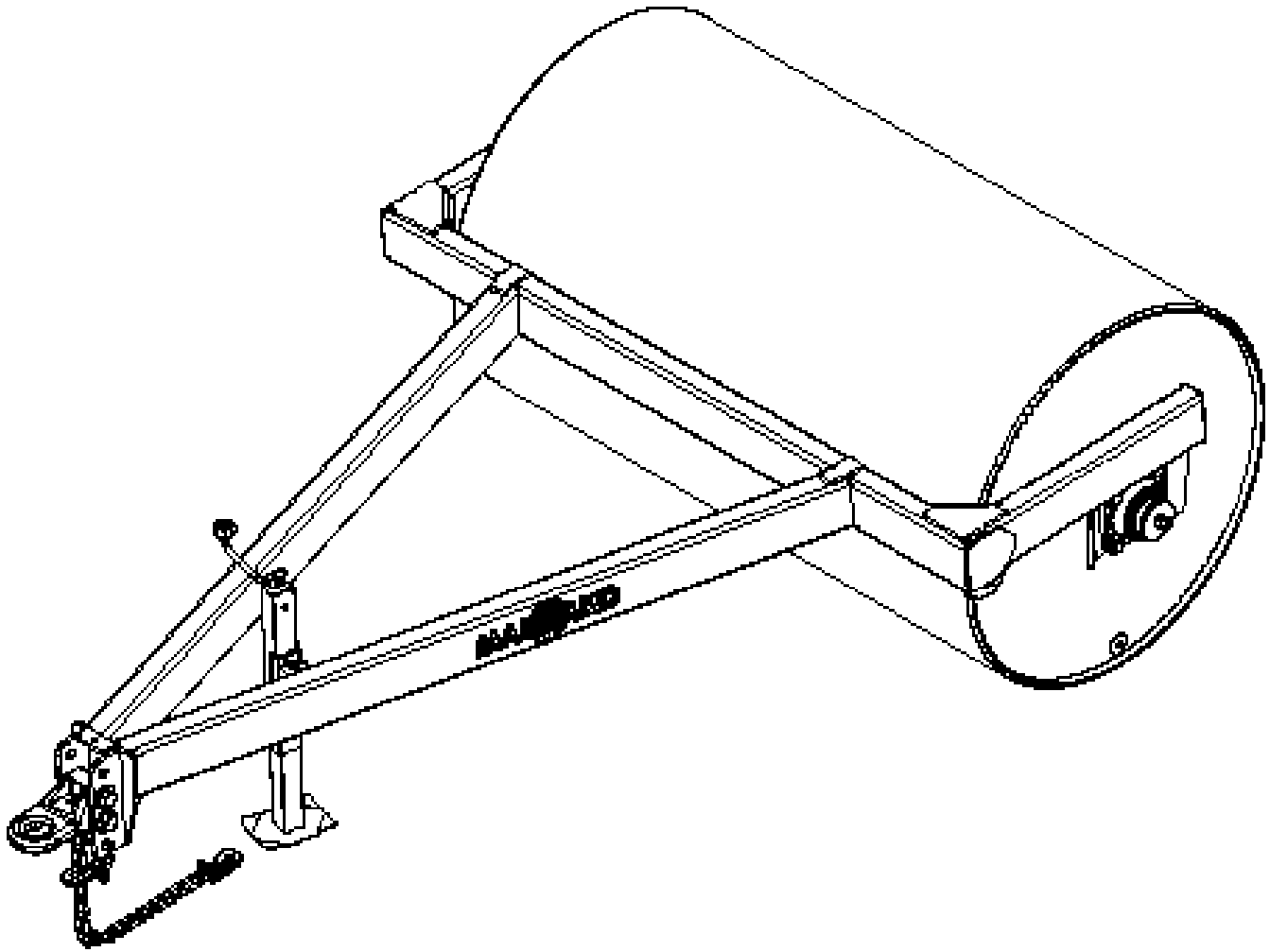
Single Land Roller Specifications12

Single Land Roller Specifications13

Mini Land Roller Specifications14

Mini Land Roller Specifications15

SINGLE LAND ROLLER (Without Transport)



MINI LAND ROLLER (With Transport)

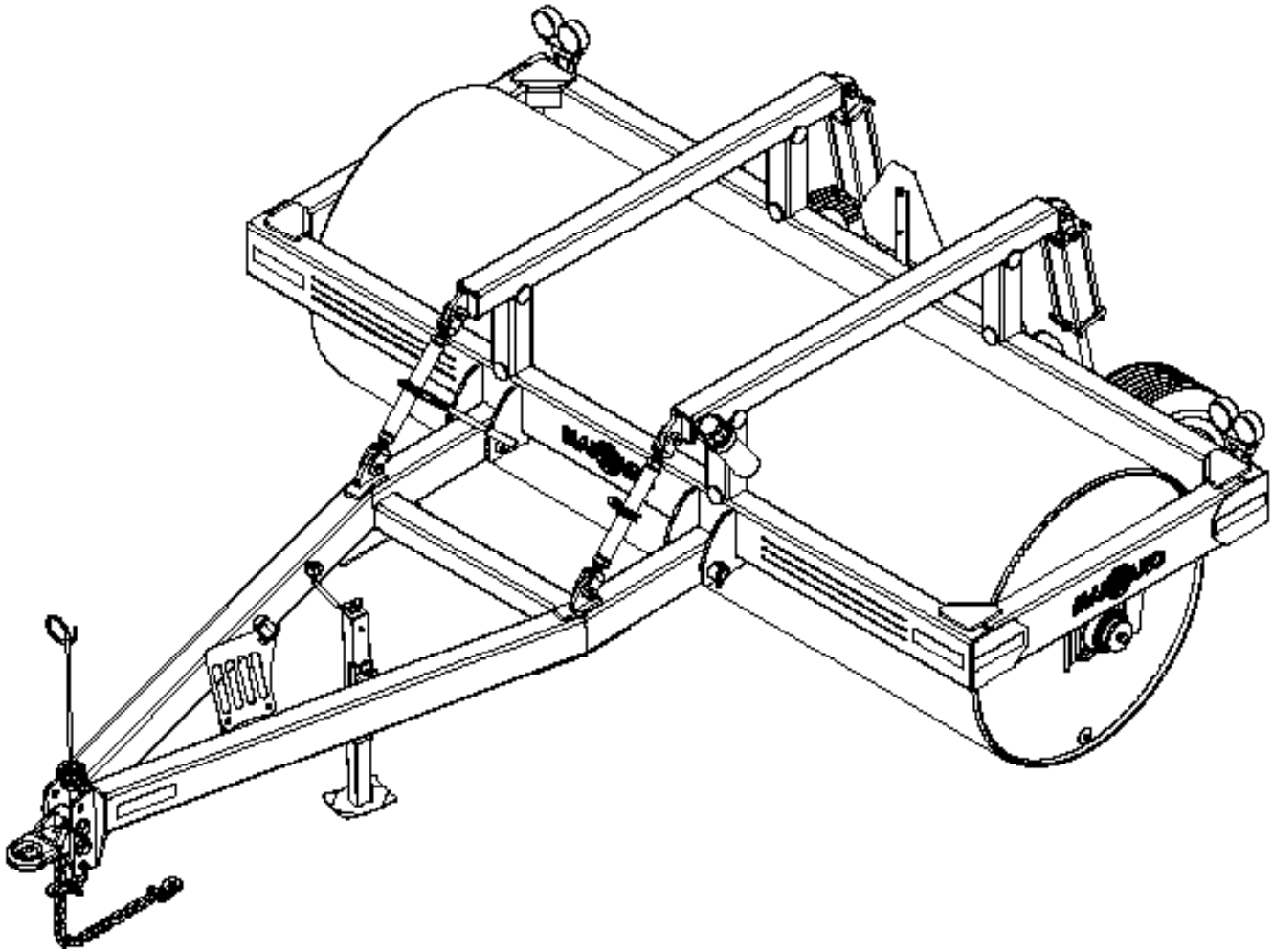


Table: A			
Item	Part #	Description	Qty
1	R9909004	Jack, Hitch: Sq Reciever	1
2	R9913201	Decal, Mandako Logo: 16.5"x4.25"	2
3	R9913003	Retroreflective Tape: Yellow	4
4	n/a	Main Frame (<i>See Table B</i>)	1
5	n/a	Drum (<i>See Table C</i>)	1
6	R9913002	Retroreflective Tape: Red	2
7	R0340109	Nut, Lock, Fine: 3/4"	8
8	R0591009	Washer, Belleville: 3/4"	8
9 a)	R1100010	Bearing Flange: 3" Bore, 4-Bolt x 6" Center - Center	2
9 b)	R1100016	Bearing Only: 3"Bore	
10	R0120925	Bolt, Fine: 3/4" x 2-1/2"	10
11	R0620009	Washer, Lock: 3/4"	2
12	PP055038	Heavy Drum Washer	2
13	R9930002	Drum Expansion Plug: 2"	2
14	R0131180	Bolt: 1" x 8"	2
15	R9910001	Safety Chain: 3/8" x 60" Grd.70	1
16	R1619251	Cotter Pin: 3/16" x 2"	1
17	R0810601	Clevis Pin: 1" x 6"	1
18	R0410309	Nut, Top Lock: 3/4"	
19	AA001090	Clevis Hitch Insert (Includes items 18 & 23)	
20	R9901003	Hitch, Pintle: Cat 3 (3" Spacing)	1
21	R0430109	Nut, Lock: 1"	2
22	R0530211	Washer, Flat: 1"	4
23	R0130955	Bolt: 3/4" x 5-1/2"	
*	AA001089	Pintle Hitch Wedge Kit	

Table: B					
Unit Size	Part #	Description	Unit Size	Part #	Description
4	WM005553	Single Land Roller Main Frame: 4'	12	WM005557	Single Land Roller Main Frame: 12'
6	WM005554	Single Land Roller Main Frame: 6'	15	WM005558	Single Land Roller Main Frame: 15'
8	WM005555	Single Land Roller Main Frame: 8'	20	WM005559	Single Land Roller Main Frame: 20'
10	WM005556	Single Land Roller Main Frame: 10'			

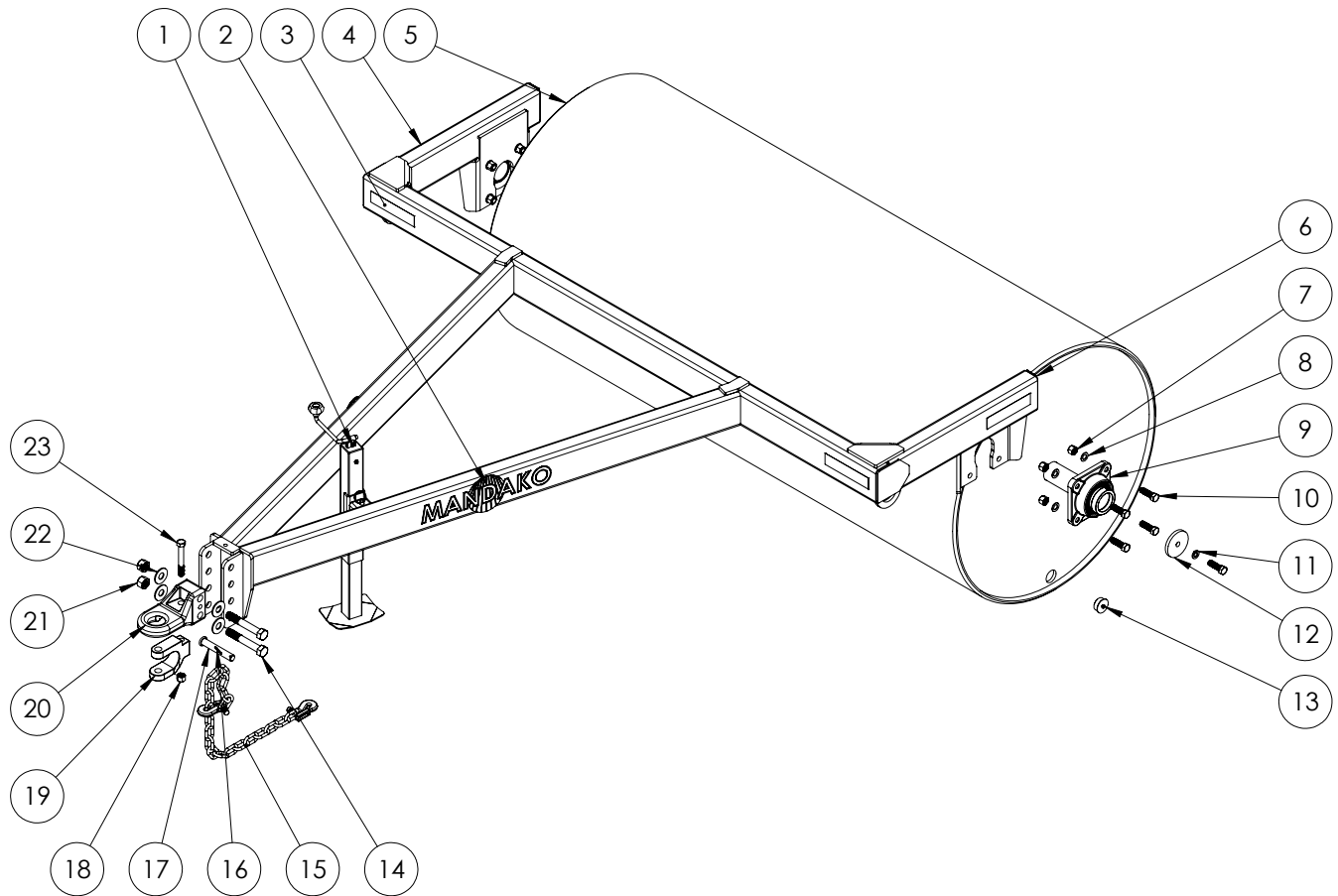


Table: C

Unit Size	Part #	Description	Unit Size	Part #	Description
4	WD051049	4' Land Roller Drum: 36" x 1/2"wall	10	WD053121	10' Land Roller Drum: 42" x 3/4"wall
4	WD052049	4' Land Roller Drum: 42" x 5/8"wall	12	WD051145	12' Land Roller Drum: 36" x 1/2"wall
4	WD053049	4' Land Roller Drum: 42" x 3/4"wall	12	WD052145	12' Land Roller Drum: 42" x 5/8"wall
6	WD051073	6' Land Roller Drum: 36" x 1/2"wall	12	WD053145	12' Land Roller Drum: 42" x 3/4"wall
6	WD052073	6' Land Roller Drum: 42" x 5/8"wall	15	WD051181	15' Land Roller Drum: 36" x 1/2"wall
6	WD053073	6' Land Roller Drum: 42" x 3/4"wall	15	WD052181	15' Land Roller Drum: 42" x 5/8"wall
8	WD051097	8' Land Roller Drum: 36" x 1/2"wall	15	WD053181	15' Land Roller Drum: 42" x 3/4"wall
8	WD052097	8' Land Roller Drum: 42" x 5/8"wall	20	WD051241	20' Land Roller Drum: 36" x 1/2"wall
8	WD053097	8' Land Roller Drum: 42" x 3/4"wall	20	WD052241	20' Land Roller Drum: 42" x 5/8"wall
10	WD051121	10' Land Roller Drum: 36" x 1/2"wall	20	WD053241	20' Land Roller Drum: 42" x 3/4"wall
10	WD052121	10' Land Roller Drum: 42" x 5/8"wall			

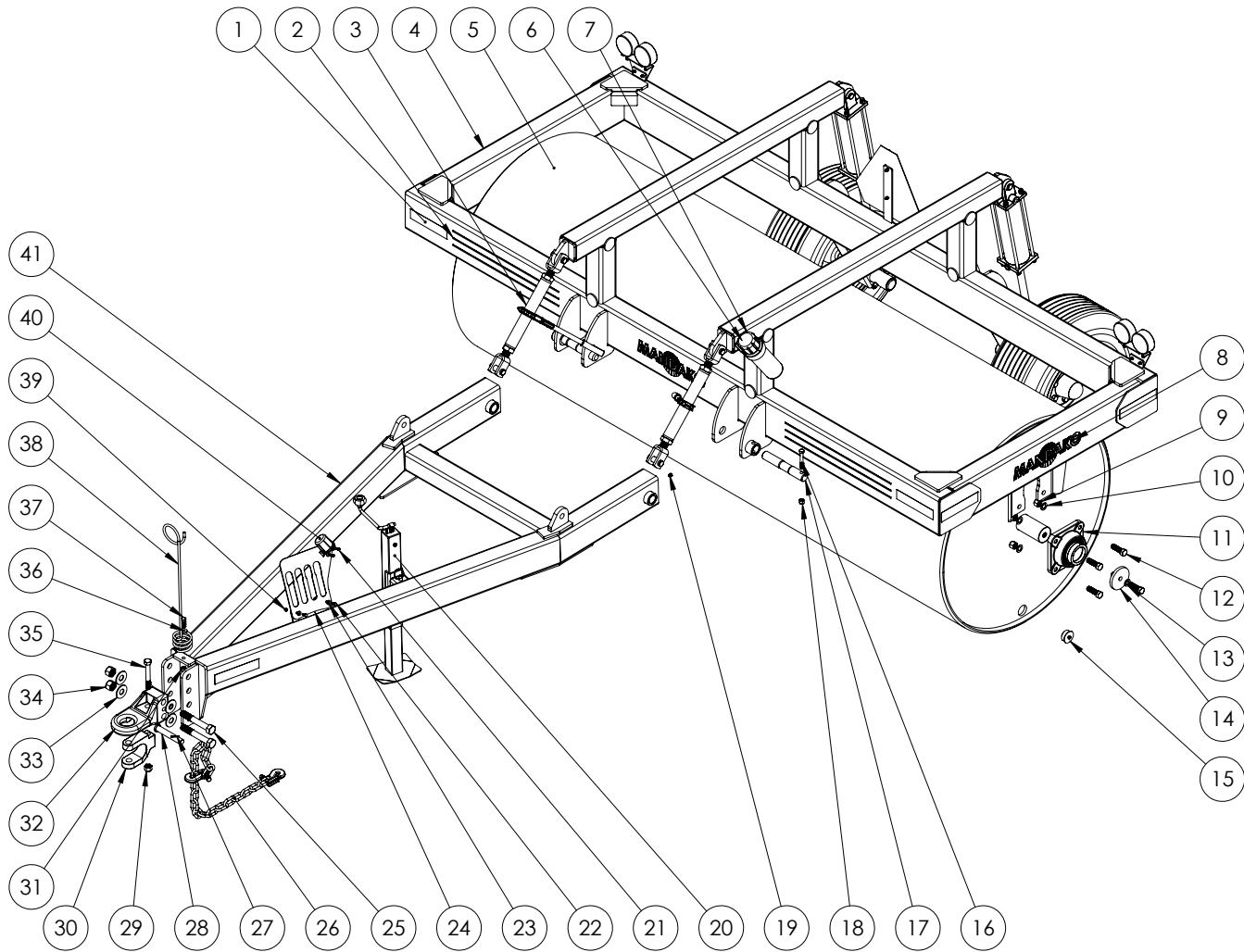


Table: A

Item	Part #	Description	Qty
1	R9913003	Retroreflective Tape: Yellow	8
2	R9913224	Stripe Decal, Black (3" x 60")	4
3	R9909003	Jack, Ratchet: 10K	2
4	n/a	Main Frame (See Table B on Page 9)	1
5	n/a	Drum (See Table C on Page 9)	1
6	R2000000	Screw, Self Tapping: #12 x 1-1/2"	2
7	R9912001	Operators Manual Canister	1
8	R9913201	Decal, Mandako Logo: 16.5"x4.25"	4
9	R0340109	Nut, Fine: 3/4"	8
10	R0591009	Washer, Belleville: 3/4"	8
11 a)	R1100010	Bearing, Flange: 3" Bore, 4 Bolt x 6" Spacing Center - Center	2
11 b)	R1100016	Bearing Only: 3" Bore	
12	R0120925	Bolt, Fine: 3/4" x 2-1/2"	10
13	R0620009	Washer, Lock: 3/4"	2

Table: A			
Item	Part #	Description	Qty
14	PP055038	Heavy Drum Washer	2
15	R9930002	Expansion Plug: 2"	2
16	R0130635	Bolt: 1/2" x 3-1/2"	8
17	PR151002	Pin: 1-1/2" x 10"	4
18	R0430106	Nut, Lock: 1/2"	8
19	R1502502	Zerk, Grease: 1/8" NPT, 45°	4
20	R9909004	Jack, Hitch: Sq Receiver	1
21	R0130208	Bolt: 1/4" x 3/4"	2
22	R0130210	Bolt: 1/4" x 1"	4
23	R0510102	Washer, Flat: 1/4"	6
24	PP021002	Storage Plate: Hydraulic Tips	1
25	R0131180	Bolt: 1" x 8"	2
26	R9910001	Safety Chain: 3/8", Grd.90	1
27	R1618900	Cotter, Pin: 3/16" x 2"	1
28	R0810601	Pin, Clevis: 1" x 6"	1
29	R0430109	Nut, Lock: 3/4"	
30	AA001090	Clevis Hitch Insert (Includes Items 29 and 35)	
31	R0410106	Nut, Lock: 1/2"	1
32	R9901003	Pintle Hitch: Cat 3 (3" Spacing)	1
33	R0530211	Washer, Flat: 1"	4
34	R0430111	Nut, Lock: 1"	2
35	R0130955	Bolt: 3/4" x 5-1/2"	
36	R0510106	Washer, Flat: 1/2"	1
37	R0110615	Bolt: 1/2" x 1-1/2"	1
38	R1899001	Spring Retainer, Spring Loaded	1
39	R0430102	Nut, Lock: 1/4"	6
40	R1701018	Electrical Plug Holder	1
41	n/a	Hitch Frame (<i>See Table D on Page 9</i>)	1
*	AA001089	Pintle Hitch Wedge Kit	

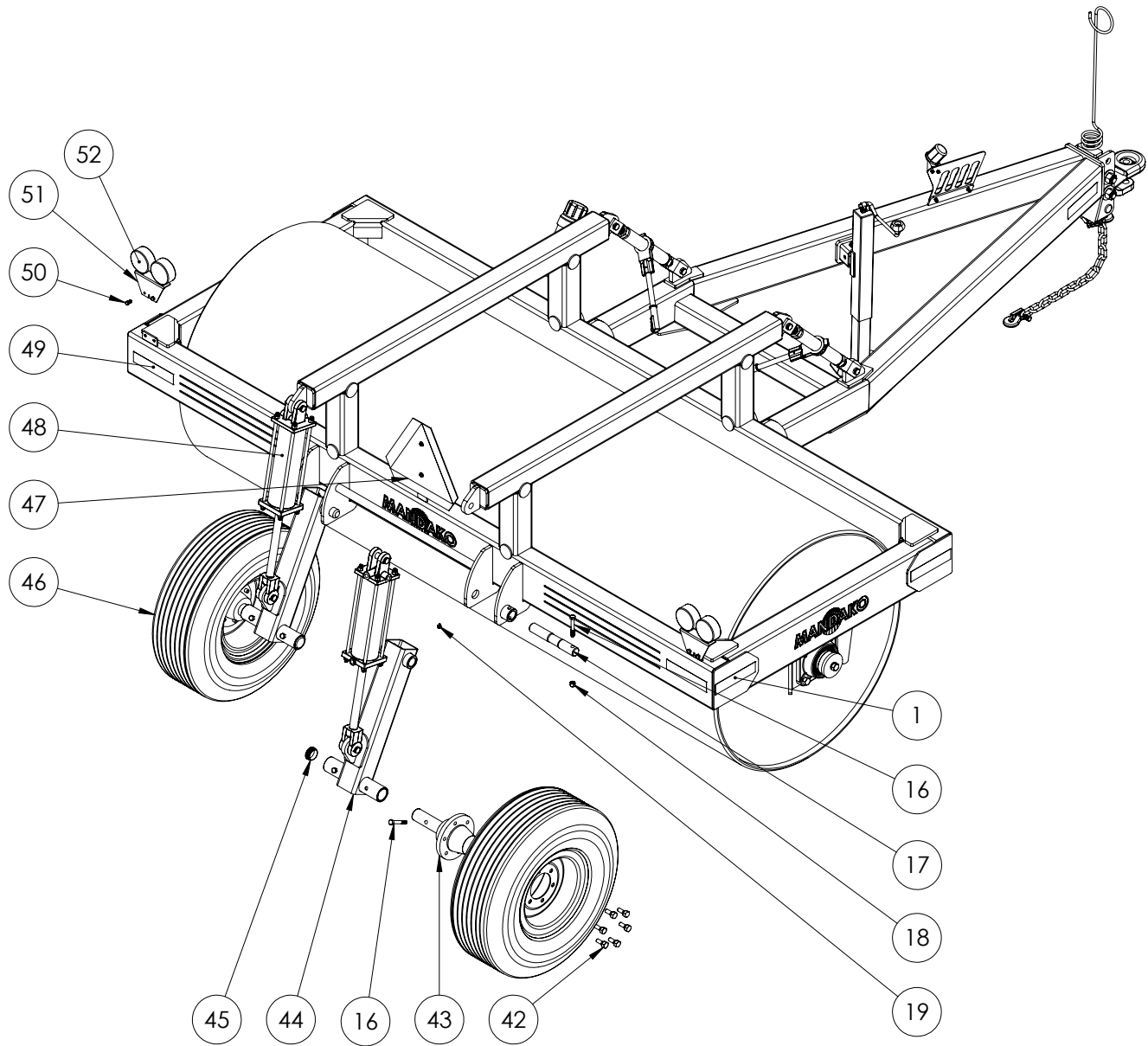


Table: A			
Item	Part #	Description	Qty
1	R9913003	Retroreflective Tape: Yellow	
16	R0130635	Bolt: 1/2" x 3-1/2"	
17	PR151002	Pin: 1-1/2" x 10"	
18	R0430106	Nut, Lock: 1/2"	
19	R1502502	Zerk, Grease: 1/8" NPT, 45°	
42	R0150713	Bolt, Fine, 90° Lug: 9/16" x 1-1/4"	
43	R9903001-04	Complete Hub/Spindle Assembly: 6-Bolt, 3-1/4" Seal - Hole	
44	WC002003	Axle Arm	
45	R9900001	Plastic Plug: 2"	
46	KW100001	Wheel & Tire Assembly	
47	R9913001	SMV Sign	
48	n/a	Cylinder, Tie-Rod: 4" x 12" (See Page 10)	
49	R9913002	Retroreflective Tape: Red	
50	R0110408	Bolt: 3/8" x 3/4"	
51	PP010004	Light Bracket: Double	
52	n/a	Light Assembly (See Page 10)	

Table: B					
Unit Size	Part #	Description	Unit Size	Part #	Description
6	WM005562	Mini Land Roller Main Frame: 6'	12	WM005565	Mini Land Roller Main Frame: 12'
8	WM005563	Mini Land Roller Main Frame: 8'	15	WM005566	Mini Land Roller Main Frame: 15'
10	WM005564	Mini Land Roller Main Frame: 10'	20	WM005567	Mini Land Roller Main Frame: 20'

Table: C					
Unit Size	Part #	Description	Unit Size	Part #	Description
6	WD051073	6' Land Roller Drum: 36" x 1/2"wall	12	WD051145	12' Land Roller Drum: 36" x 1/2"wall
6	WD052073	6' Land Roller Drum: 42" x 5/8"wall	12	WD052145	12' Land Roller Drum: 42" x 5/8"wall
6	WD053073	6' Land Roller Drum: 42" x 3/4"wall	12	WD053145	12' Land Roller Drum: 42" x 3/4"wall
8	WD051097	8' Land Roller Drum: 36" x 1/2"wall	15	WD051181	15' Land Roller Drum: 36" x 1/2"wall
8	WD052097	8' Land Roller Drum: 42" x 5/8"wall	15	WD052181	15' Land Roller Drum: 42" x 5/8"wall
8	WD053097	8' Land Roller Drum: 42" x 3/4"wall	15	WD053181	15' Land Roller Drum: 42" x 3/4"wall
10	WD051121	10' Land Roller Drum: 36" x 1/2"wall	20	WD051241	20' Land Roller Drum: 36" x 1/2"wall
10	WD052121	10' Land Roller Drum: 42" x 5/8"wall	20	WD052241	20' Land Roller Drum: 42" x 5/8"wall
10	WD053121	10' Land Roller Drum: 42" x 3/4"wall	20	WD053241	20' Land Roller Drum: 42" x 3/4"wall

Table: D					
Unit Size	Part #	Description	Unit Size	Part #	Description
6-10	WM005560	Mini Land Roller Hitch Frame (Small)	12-20	WM005561	Mini Land Roller Hitch Frame (Large)

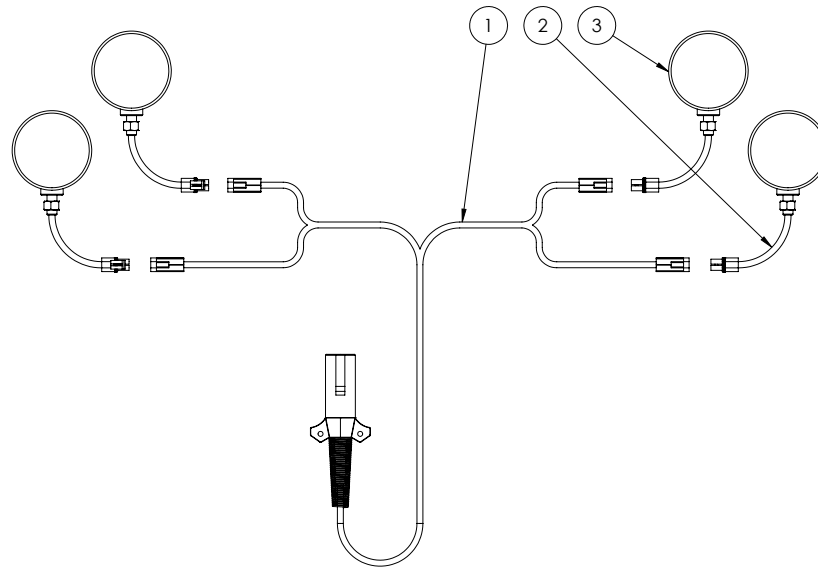


Table: A							
Item	Part #	Description	Qty	Item	Part #	Description	Qty
1	KL100020	Light Kit, Mini Land Roller	1	3	R1701011	Light, Round, LED: Amber/Amber	2
2	R1701012	Light, Round, LED: Red	2				

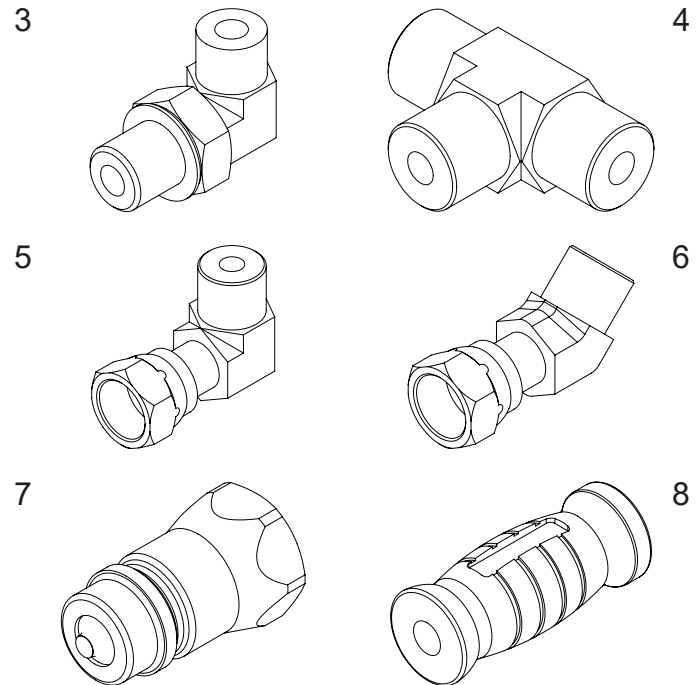
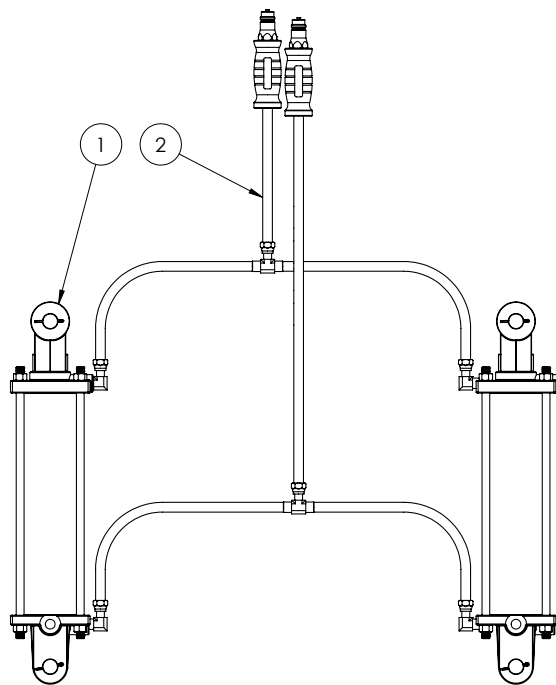


Table: B							
Item	Part #	Description	Qty	Item	Part #	Description	Qty
1 a)	R1941201	Cylinder, Tie-Rod, Yellow: 4" x 12"	2	4	R1802031	Tee: #6 MORFS - #6 MORFS - #6 MORFS	2
1 b)	R1941201-01	Cylinder, Tie-Rod, Black: 4" x 12"		5	R1802030	Elbow, 90°: #6 FORFSX - #6 MORFS	2
1 c)	KR100000	Cylinder Repair Kit: 4" Bore		6	R1802040	Elbow, 45°: #6 FORFSX - #6 MORFS	1
2	KH100001	Hydraulic Hose Kit	1	7	R1805001	Tip, Quick Connect: #8 FPT	2
3	R1802028	Elbow, 90°: #6 MORFS - #6 MORB	4	8	R1899011	Hydraulic Handle, Green: #8 FPT- #8 MPT	2

*All Hydraulic Hose is 3/8**

LAND ROLLER ACRE COUNTER

CONVERSION CHART

42" Diameter Drum Land Roller	
6'	0.73
8'	0.97
10'	1.21
12'	1.45
15'	1.82
20'	2.42
30'	3.63
34'	4.12
40'	4.85
42'	5.09
45'	5.45
50'	6.06
60'	7.27
61'	7.39
62'	7.51
65'	7.88
70'	8.48
75'	9.09
80'	9.69
85'	10.30

36" Diameter Drum Land Roller	
6'	0.73
8'	0.97
10'	1.21
12'	1.45
15'	1.82
20'	2.42
30'	3.63
34'	4.12
40'	4.85
42'	5.09
45'	5.45
50'	6.06
60'	7.27
61'	7.39
62'	7.51
65'	7.88
70'	8.48
75'	9.09
80'	9.69
85'	10.30

** NOTE **
Acre Counters are specifically calibrated for either a 42" or 36" diameter drum. This is why the multiplier numbers are identical.

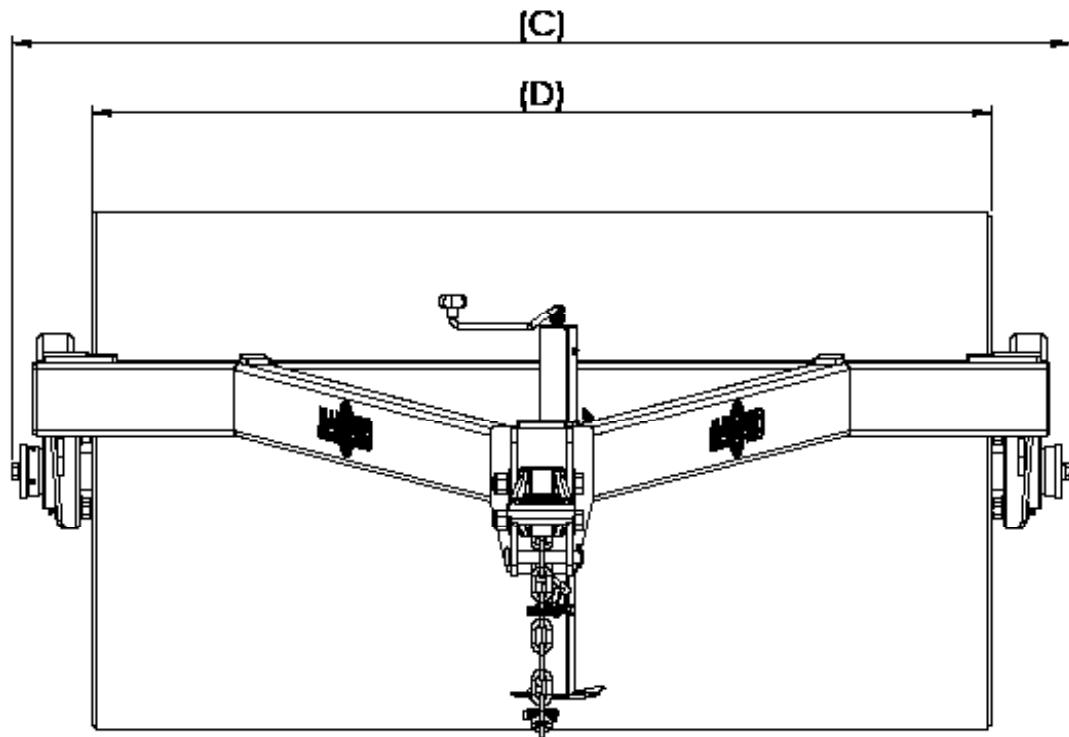
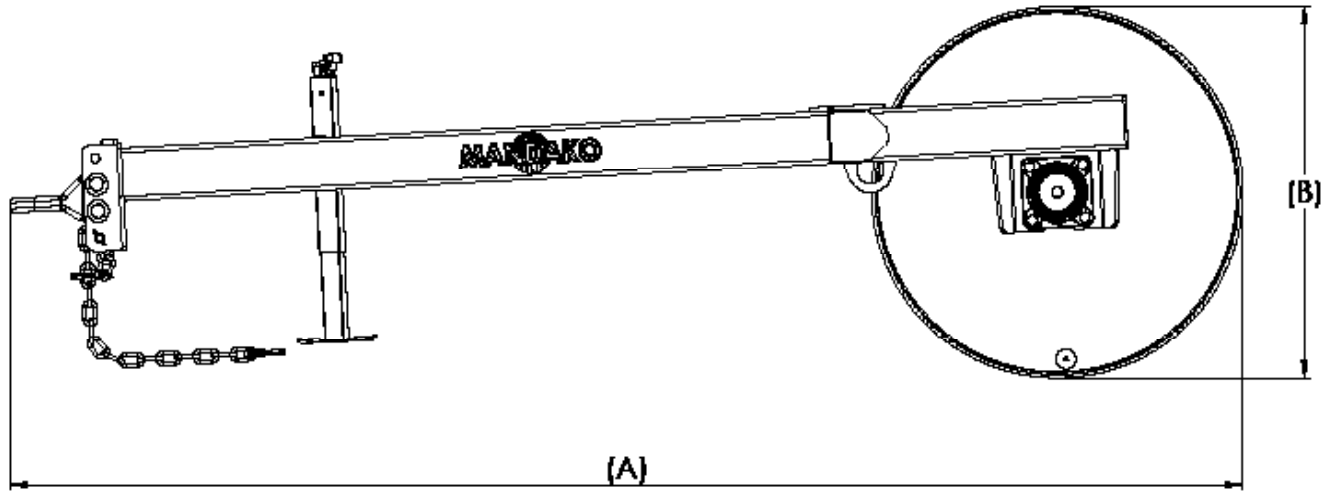
** USING THE CONVERSION CHART **

- Step 1: Always remember to check acre counter reading before you start rolling. **IMPORTANT!!** Write this number down!

- Step 2: When finished rolling, calculate the difference from the beginning to end of the acre counter

- Step 3: Multiply acre counter number (ending number minus starting number) with the number as associated on the chart above. Make sure to use the right land roller LENGTH and DRUM SIZE

Table: A		
Item	Part #	Description
1	AA001001	Acre Counter w/Bracket: 36" Drum (560 rev/mile)
2	AA001002	Acre Counter w/Bracket: 42" Drum (480 rev/mile)



Single Landroller with 36" x ½" wall Drum

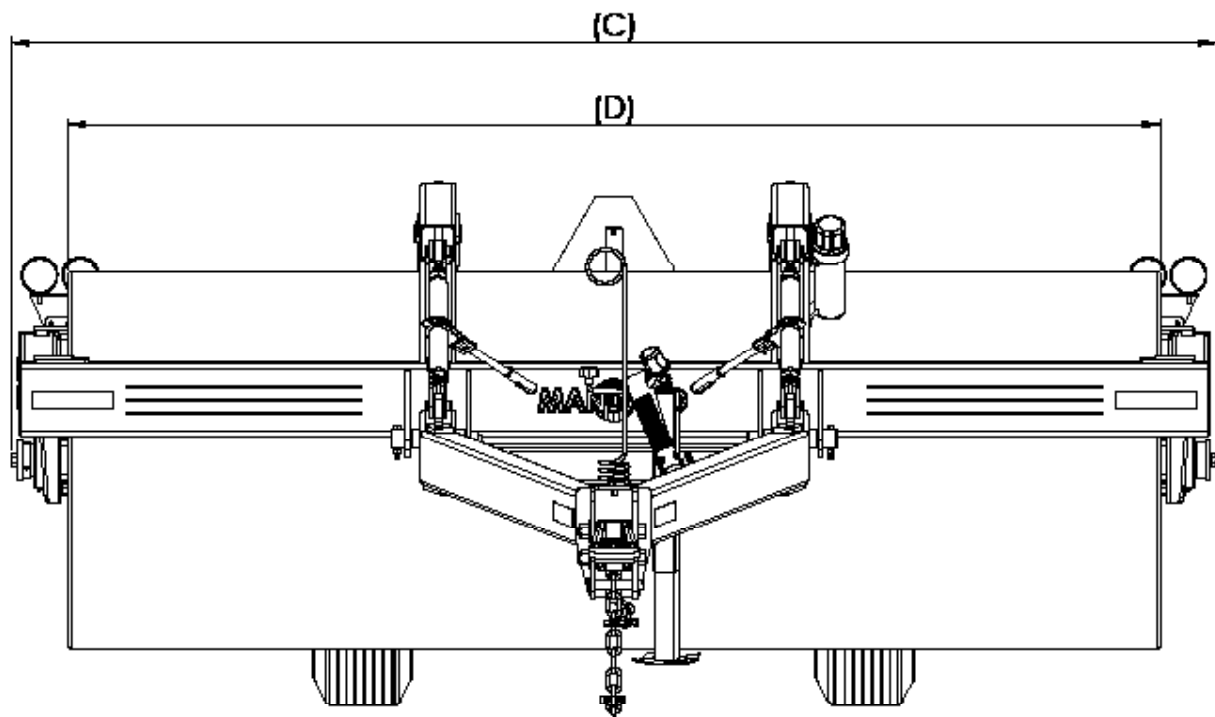
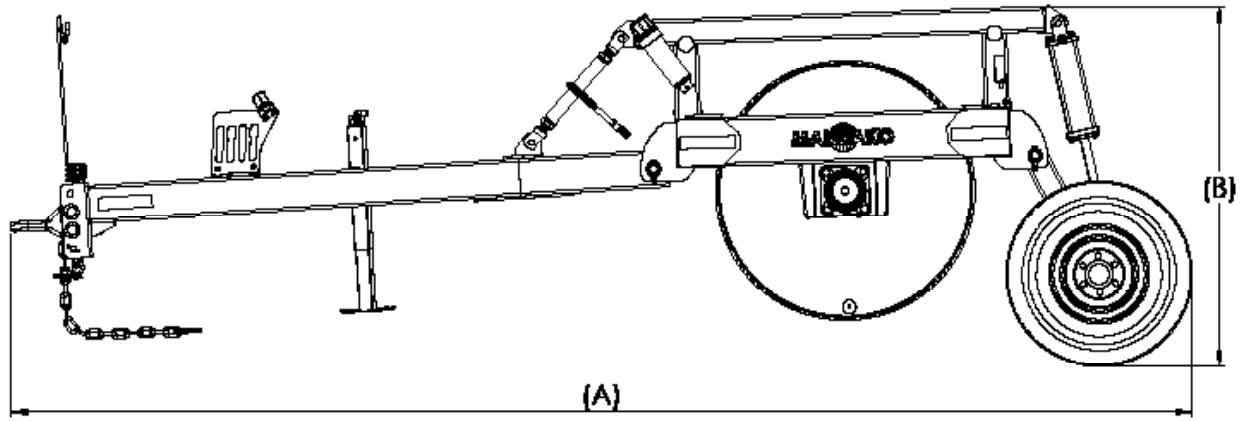
Unit #	LRS04101	LRS06101	LRS08101	LRS10101	LRS12101	LRS15101	LRS20101
Machine Size	4'	6'	8'	10'	12'	15'	20'
Frame Sections	1	1	1	1	1	1	1
Drum Size	36" x ½" wall	36" x ½" wall	36" x ½" wall	36" x ½" wall	36" x ½" wall	36" x ½" wall	36" x ½" wall
Weight (lbs. per ft)	375	330	300	290	280	265	250
Horsepower Requirement	24-36	24-36	32-48	40-60	48-72	60-90	80-120
Transport Length (A)	137"	137"	137"	137"	137"	137"	137"
Transport Height (B)	36"	36"	36"	36"	36"	36"	36"
Transport Width (C)	62"	86"	110"	133"	157"	193"	253"
Working Width (D)	49"	73"	97"	121"	145"	181"	241"

Single Landroller with 42" x 5/8" wall Drum

Unit #	LRS04201	LRS06201	LRS08201	LRS10201	LRS12201	LRS15201	LRS20201
Machine Size	4'	6'	8'	10'	12'	15'	20'
Frame Sections	1	1	1	1	1	1	1
Drum Size	42" x 5/8" wall	42" x 5/8" wall	42" x 5/8" wall	42" x 5/8" wall	42" x 5/8" wall	42" x 5/8" wall	42" x 5/8" wall
Weight (lbs. per ft)	485	440	400	390	375	360	345
Horsepower Requirement	24-36	24-36	32-48	40-60	48-72	60-90	80-120
Transport Length (A)	140"	140"	140"	140"	140"	140"	140"
Transport Height (B)	42"	42"	42"	42"	42"	42"	42"
Transport Width (C)	62"	86"	110"	133"	157"	193"	253"
Working Width (D)	49"	73"	97"	121"	145"	181"	241"

Single Landroller with 42" x ¾" wall Drum

Unit #	LRS04301	LRS06301	LRS08301	LRS10301	LRS12301	LRS15301	LR20301
Machine Size	4'	6'	8'	10'	12'	15'	20'
Frame Sections	1	1	1	1	1	1	1
Drum Size	42" x ¾" wall	42" x ¾" wall	42" x ¾" wall	42" x ¾" wall	42" x ¾" wall	42" x ¾" wall	42" x ¾" wall
Weight (lbs. per ft)	540	490	455	445	430	410	395
Horsepower Requirement	24-36	24-36	32-48	40-60	48-72	60-90	80-120
Transport Length (A)	140"	140"	140"	140"	140"	140"	140"
Transport Height (B)	42"	42"	42"	42"	42"	42"	42"
Transport Width (C)	62"	86"	110"	133"	157"	193"	253"
Working Width (D)	49"	73"	97"	121"	145"	181"	241"



Mini Land Roller with 36" x ½" wall Drum

Unit #	LRM06101	LRM08101	LRM10101	LRM12101	LRM15101	LRM20101
Machine Size	6'	8'	10'	12'	15'	20'
Frame Sections	1	1	1	1	1	1
Drum Size	36" x ½" wall	36" x ½" wall	36" x ½" wall	36" x ½" wall	36" x ½" wall	36" x ½" wall
Weight (lbs. per ft)	585	495	445	410	375	340
Horsepower Requirement	24-36	32-48	40-60	48-72	60-90	80-120
Hydraulic Requirements (ports)	1	1	1	1	1	1
Hydraulic Requirements (psi)	5 GPM (19LPM) @2800PSI	5 GPM (19LPM) @2800PSI	5 GPM (19LPM) @2800PSI	5 GPM (19LPM) @2800PSI	5 GPM (19LPM) @2800PSI	5 GPM (19LPM) @2800PSI
Transport Length (A)	191"	191"	191"	191"	191"	191"
Transport Height (B)	60"	60"	60"	60"	60"	60"
Transport Width (C)	86"	110"	133"	157"	193"	253"
Working Width (D)	73"	97"	121"	145"	181"	241"
Tire	ST235/80R16E-10 Ply	ST235/80R16E-10 Ply	ST235/80R16E-10 Ply	ST235/80R16E-10 Ply	ST235/80R16E-10 Ply	ST235/80R16E-10 Ply
Hub/Spindle Assy	6-Bolt (H618)	6-Bolt (H618)	6-Bolt (H618)	6-Bolt (H618)	6-Bolt (H618)	6-Bolt (H618)

Mini Land Roller with 42" x 5/8" wall Drum

Unit #	LRM06201	LRM08201	LRM10201	LRM12201	LRM15201	LRM20201
Machine Size	6'	8'	10'	12'	15'	20'
Frame Sections	1	1	1	1	1	1
Drum Size	42" x 5/8" wall	42" x 5/8" wall	42" x 5/8" wall	42" x 5/8" wall	42" x 5/8" wall	42" x 5/8" wall
Weight (lbs. per ft)	670	580	530	495	460	425
Horsepower Requirement	24-36	32-48	40-60	48-72	60-90	80-120
Hydraulic Requirements (ports)	1	1	1	1	1	1
Hydraulic Requirements (psi)	5 GPM (19LPM) @2800PSI	5 GPM (19LPM) @2800PSI	5 GPM (19LPM) @2800PSI	5 GPM (19LPM) @2800PSI	5 GPM (19LPM) @2800PSI	5 GPM (19LPM) @2800PSI
Transport Length (A)	191"	191"	191"	191"	191"	191"
Transport Height (B)	60"	60"	60"	60"	60"	60"
Transport Width (C)	86"	110"	133"	157"	193"	253"
Working Width (D)	73"	97"	121"	145"	181"	241"
Tire	ST235/80R16E-10 Ply	ST235/80R16E-10 Ply	ST235/80R16E-10 Ply	ST235/80R16E-10 Ply	ST235/80R16E-10 Ply	ST235/80R16E-10 Ply
Hub/Spindle Assy	6-Bolt (H618)	6-Bolt (H618)	6-Bolt (H618)	6-Bolt (H618)	6-Bolt (H618)	6-Bolt (H618)

Mini Land Roller with 42" x ¾" wall Drum

Unit #	LRM06301	LRM08301	LRM10301	LRM12301	LRM15301	LRM20301
Machine Size	6'	8'	10'	12'	15'	20'
Frame Sections	1	1	1	1	1	1
Drum Size	42" x ¾" wall	42" x ¾" wall	42" x ¾" wall	42" x ¾" wall	42" x ¾" wall	42" x ¾" wall
Weight (lbs. per ft)	725	640	585	550	515	480
Horsepower Requirement	24-36	32-48	40-60	48-72	60-90	80-120
Hydraulic Requirements (ports)	1	1	1	1	1	1
Hydraulic Requirements (psi)	5 GPM (19LPM) @2800PSI	5 GPM (19LPM) @2800PSI	5 GPM (19LPM) @2800PSI	5 GPM (19LPM) @2800PSI	5 GPM (19LPM) @2800PSI	5 GPM (19LPM) @2800PSI
Transport Length (A)	191"	191"	191"	191"	191"	191"
Transport Height (B)	60"	60"	60"	60"	60"	60"
Transport Width (C)	86"	110"	133"	157"	193"	253"
Working Width (D)	73"	97"	121"	145"	181"	241"
Tire	ST235/80R16E-10 Ply	ST235/80R16E-10 Ply	ST235/80R16E-10 Ply	ST235/80R16E-10 Ply	ST235/80R16E-10 Ply	ST235/80R16E-10 Ply
Hub/Spindle Assy	6-Bolt (H618)	6-Bolt (H618)	6-Bolt (H618)	6-Bolt (H618)	6-Bolt (H618)	6-Bolt (H618)

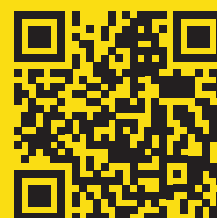


REVISION: 1.0

PART #: R9912011

RELEASED: JANUARY 01, 2019

MANDAKO AGRI MARKETING (2010) LTD.



Printed in Canada