

# 65' Chisel Flex Parts Manual

**NOTE: Parts Manual is currently under construction. To order parts please reference page number and item number.**





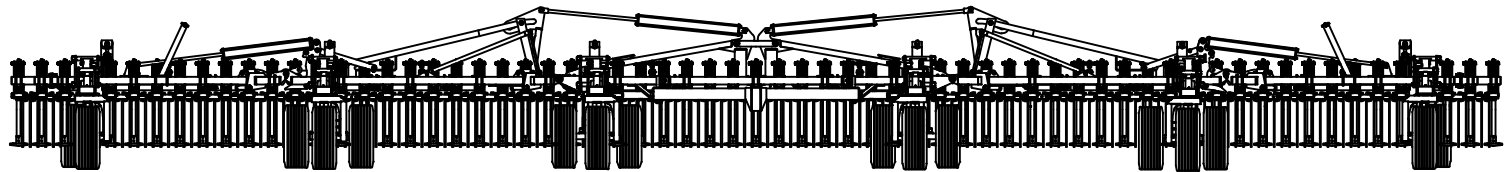
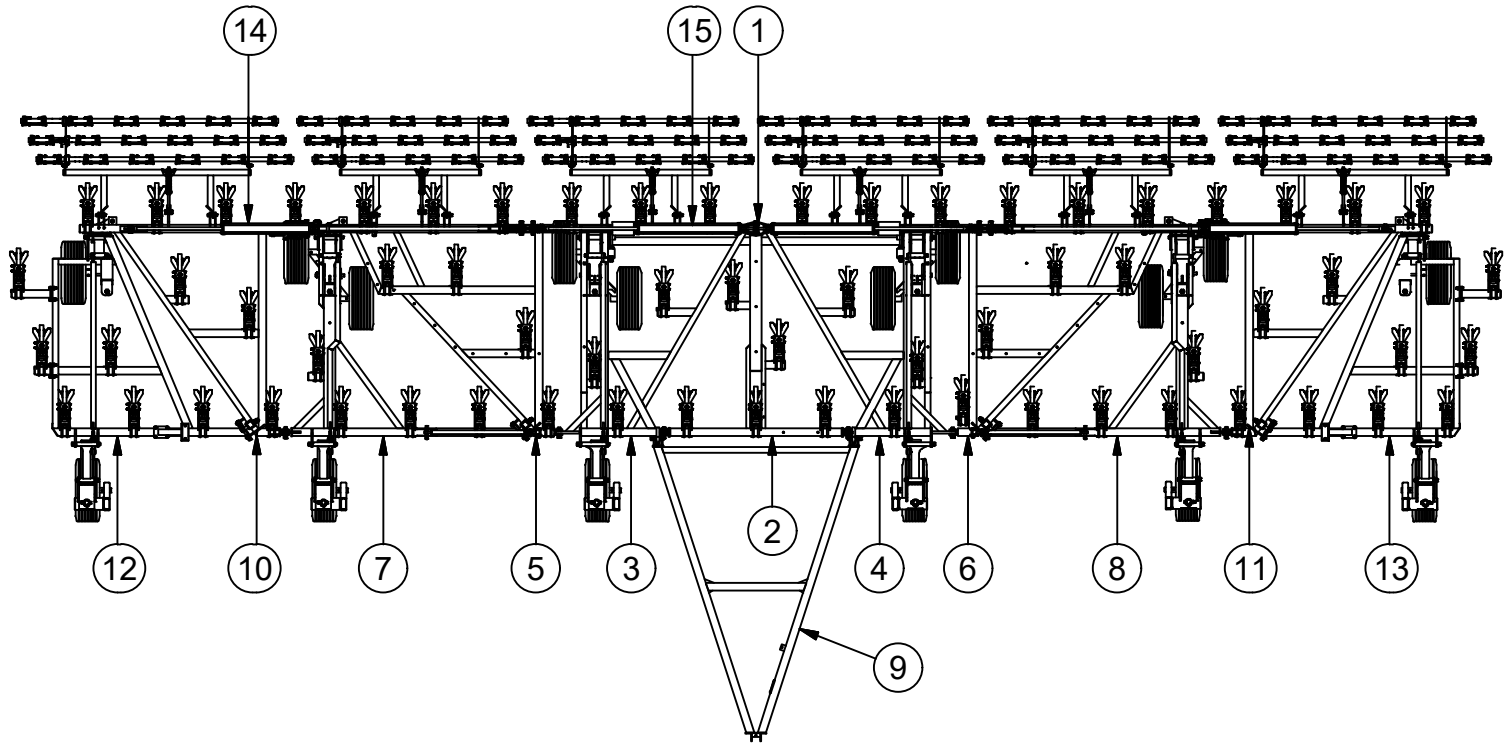
# INDEX

Choose appropriate section (see overview, page 1) and follow to appropriate subsection

65' Chisel Flex Overview .....	1
<b>Sections</b>	
Center T-Frame Assembly .....	2
Main Frame Assembly, RH .....	3-5
Main Frame Assembly, LH .....	6-7
Inner Wing Assembly, Inside RH .....	8-10
Inner Wing Assembly, Inside LH .....	11
Inner Wing Assembly, Outside RH .....	12-13
Inner Wing Assembly, Outside LH .....	14
Hitch Assembly .....	15
Outer Wing Assembly, Inside RH .....	16-17
Outer Wing Assembly, Inside LH .....	18
Outer Wing Assembly, Outside RH .....	19-20
Outer Wing Assembly, Outside LH .....	21
<b>Subsections</b>	
Caster Wheel Adjustable Linkage .....	22
Rock Shaft Assembly .....	23
Torsion Assembly - Main .....	24
Caster Wheel Linkage Bar - Wing .....	25
Spring Body/Shank(Trip) Assembly Harrow .....	26
Assembly, 3 Row, RH 10' Harrow .....	27
Assembly, 3 Row, LH 10' .....	28
Harrow Assembly, 3 Row, RH 12' Harrow .....	29
Assembly, 3 Row, LH 12' .....	30
Caster Wheel Assembly - Right .....	31
Caster Wheel Assembly - Left .....	32
Caster Wheel Assembly, Wing - Right .....	33
Caster Wheel Assembly, Wing - Left Main .....	34
Frame Wheel Assembly - Right Rear Main .....	35
Frame Wheel Assembly - Left Rear Inner .....	36
Wing Wheel Assembly - Right Rear Inner .....	37
Wing Wheel Assembly - Right Rear Wheel .....	38
Standard - Outer Right .....	39
Wheel Standard - Outer Left .....	40
Depth Control .....	41

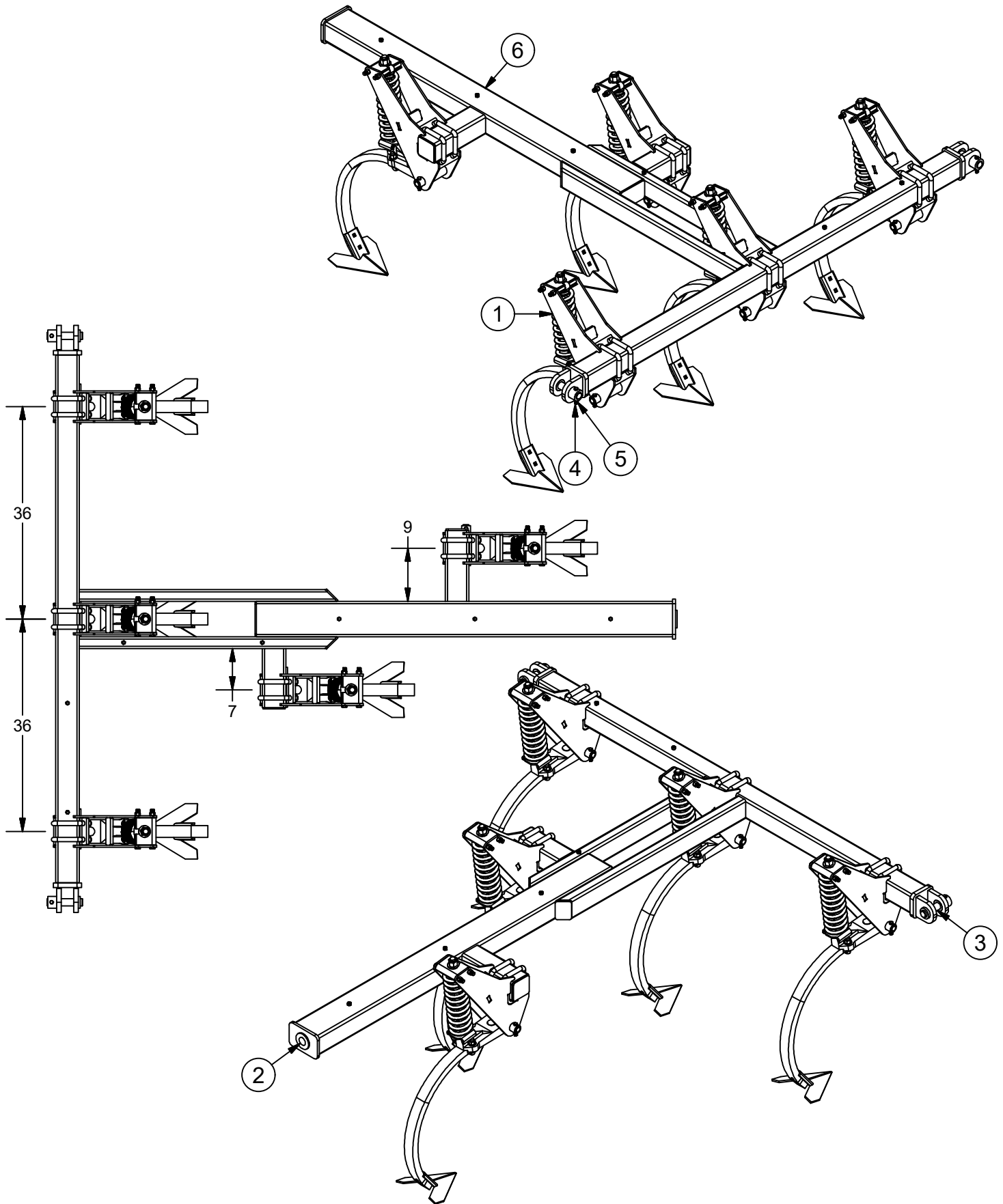
**NOTE:** Parts Manual is currently under construction. To order parts please reference page number and item number.

# 65' Chisel Flex Overview

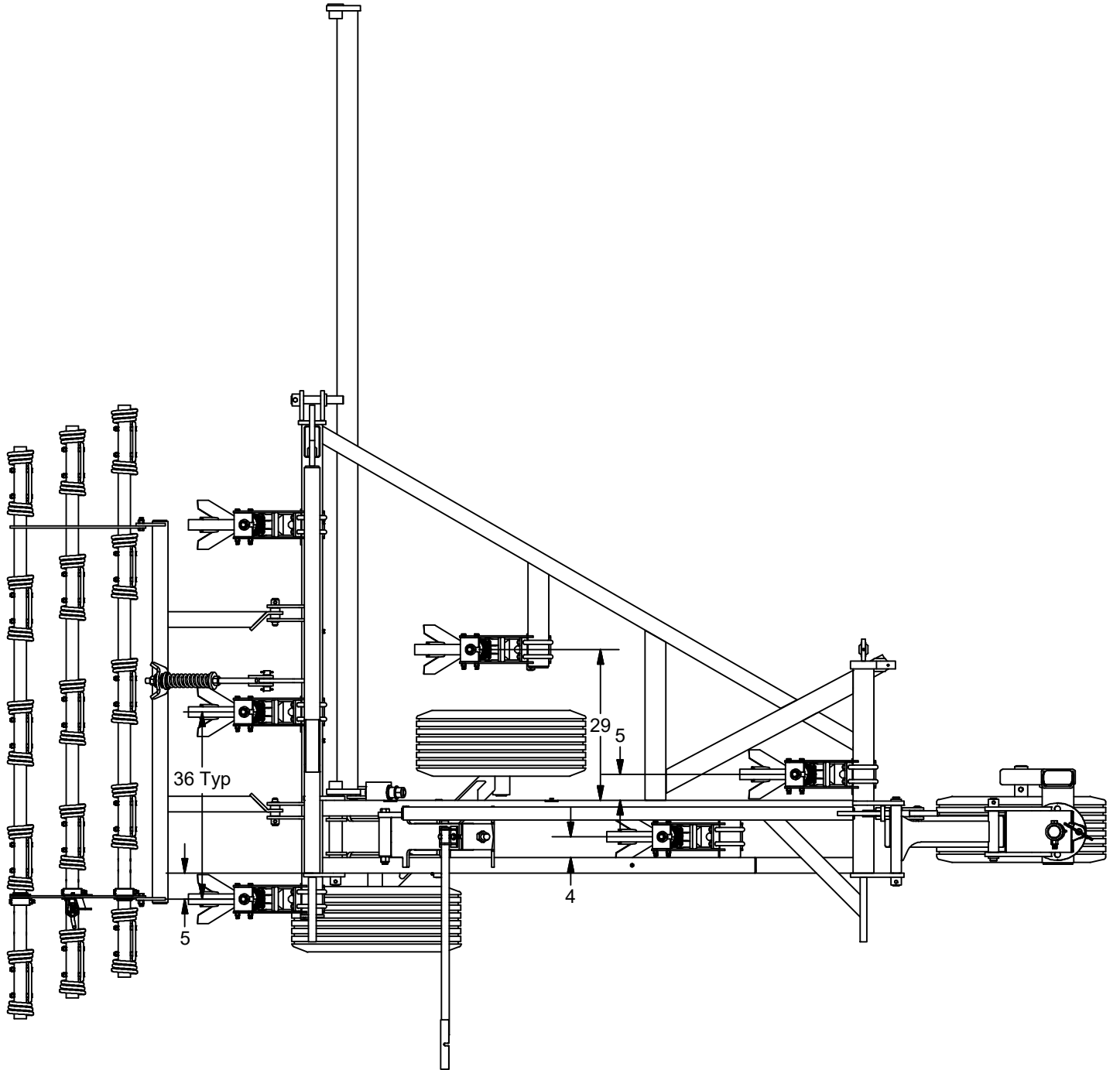


65 Ft Chisel Flex			65 Ft Chisel Flex		
ITEM	Section Page(s)	DESCRIPTION	ITEM	Section Page(s)	DESCRIPTION
1		Center Swivel Bracket	9	Page 15	Hitch: 55'-65'
2	Page 2	Center T-Frame Assembly: 55'-65'	10	Page 16-17	Outer Wing Assembly, Inside RH: 65'
3	Page 3-5	Main Frame Assembly, RH: 55'-65'	11	Page 18	Outer Wing Assembly, Inside LH: 65'
4	Page 6-7	Main Frame Assembly, LH: 55'-65'	12	Page 19-20	Outer Wing Assembly, Outside RH: 65'
5	Page 8-10	Inner Wing Assembly, Inside RH: 55'-65'	13	Page 21	Outer Wing Assembly, Outside LH: 65'
6	Page 11	Inner Wing Assembly, Inside LH: 55'-65'	14	R1954201	Cylinder: 5" x 42" - 54-1/4" Ret.
7	Page 12-13	Inner Wing Assembly, Outside RH: 55'-65'	15	R1954801	Cylinder, Tie-rod: 5" x 48" - 58-1/4" Ret.
8	Page 14	Inner Wing Assembly, Outside LH: 55'-65'			

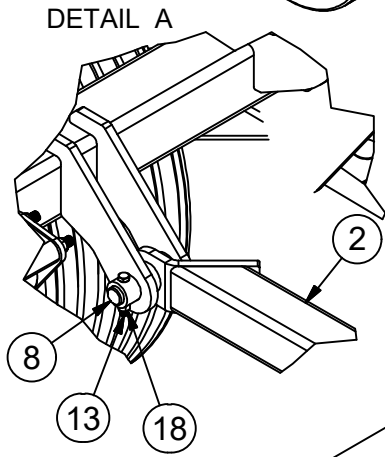
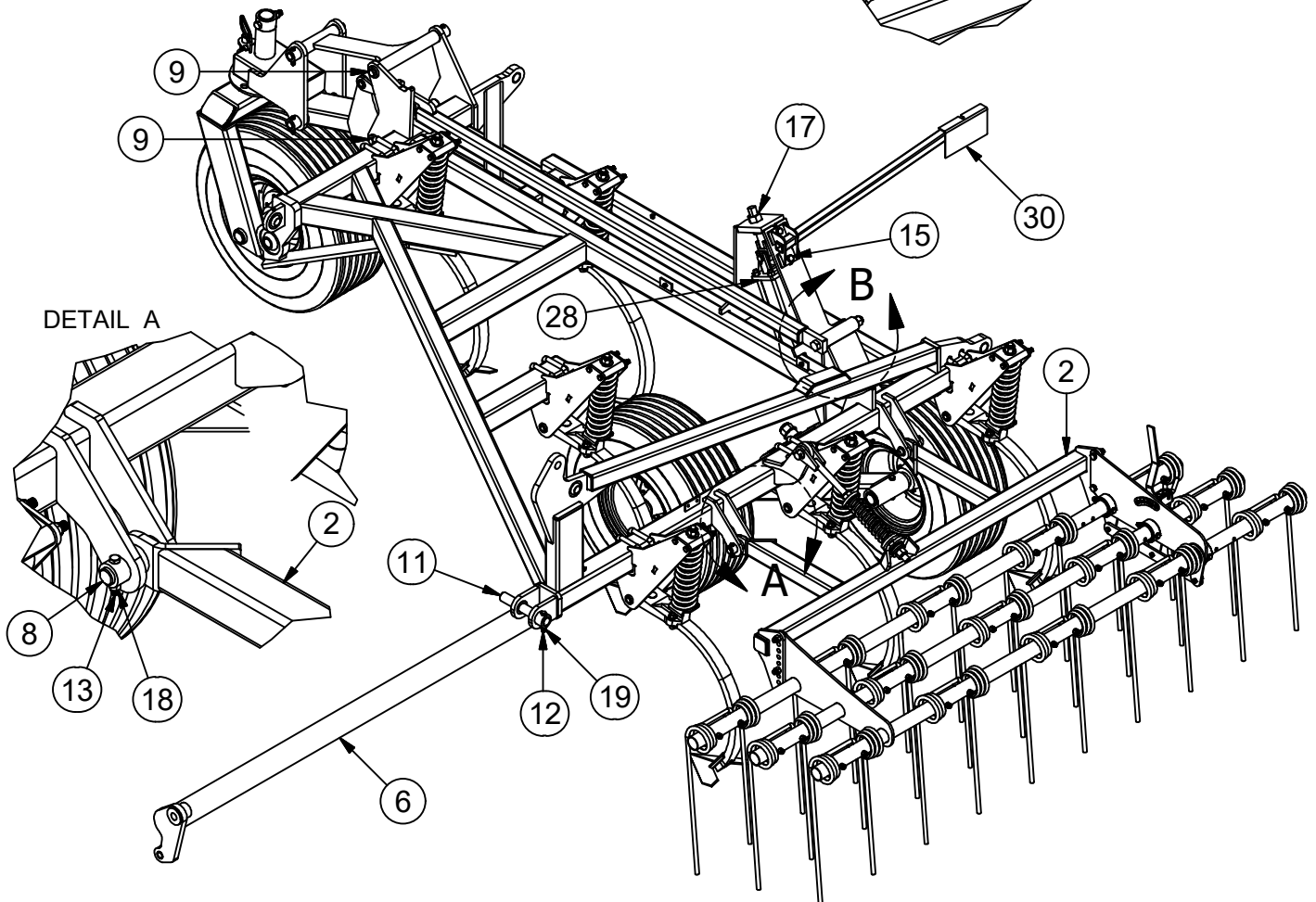
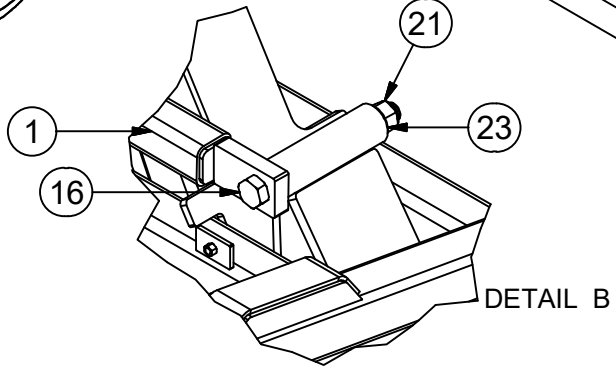
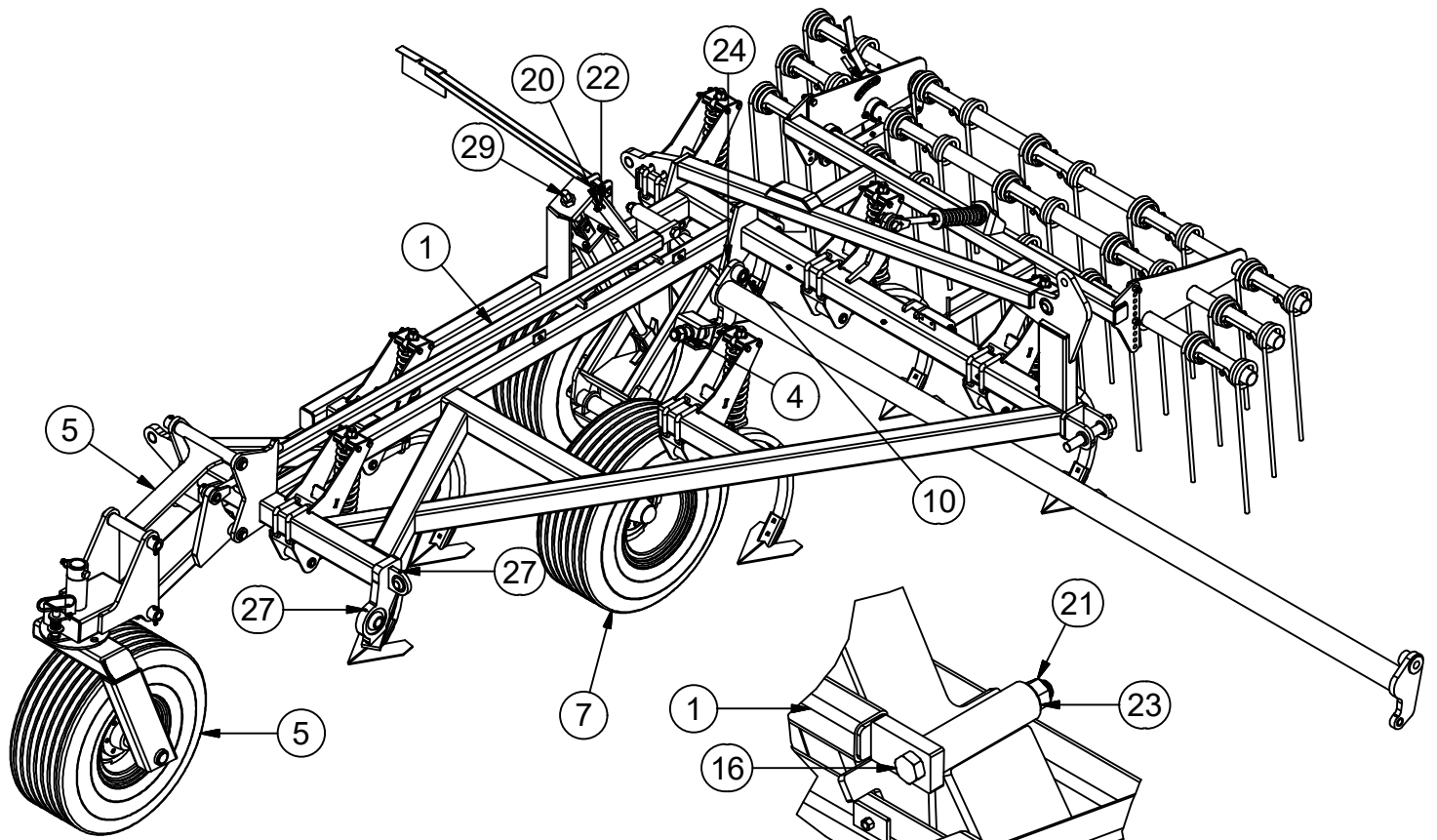
# Center T-Frame Assembly



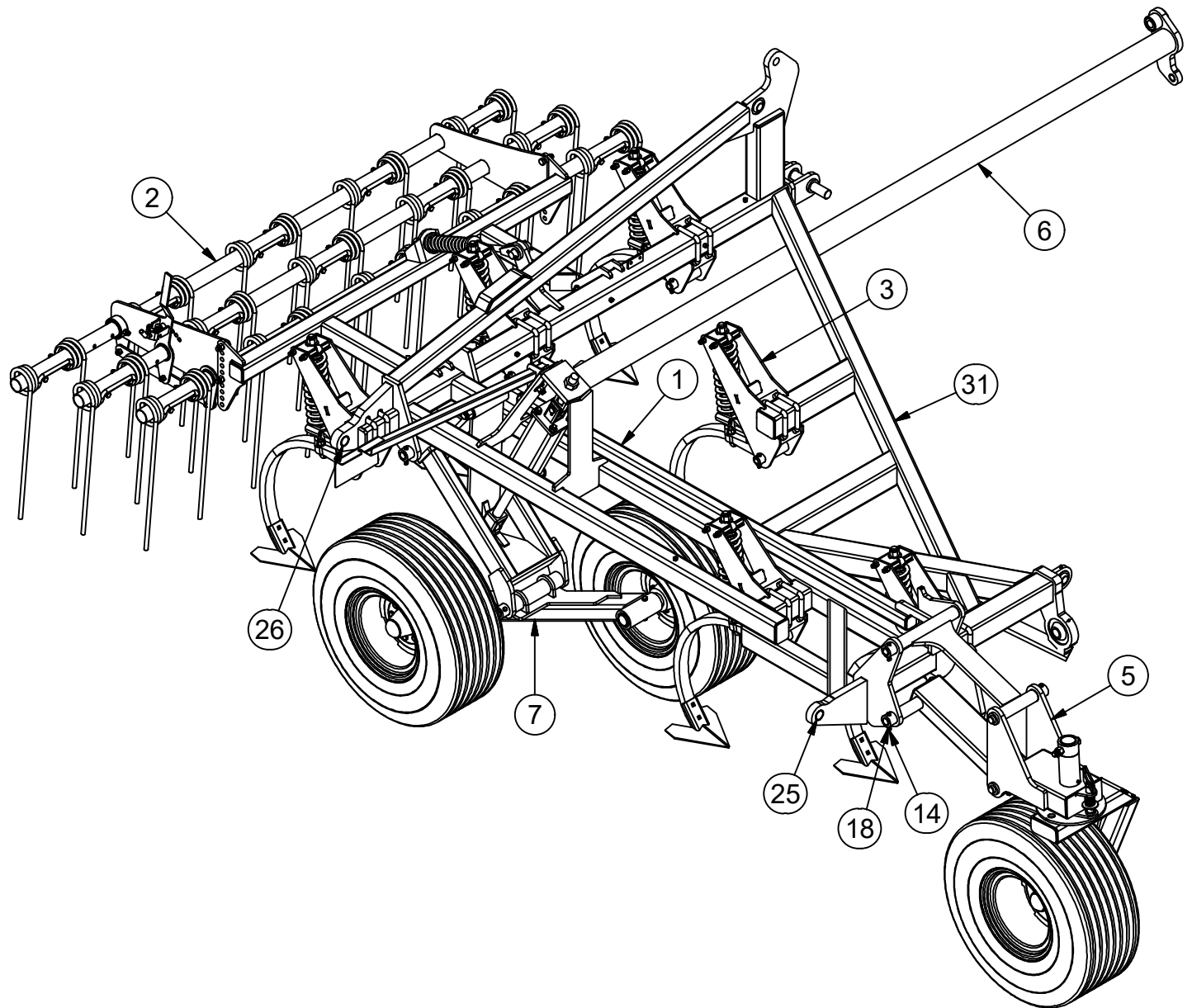
Center T-Frame Assembly: 55'-65'			Center T-Frame Assembly: 55'-65'		
ITEM	Page Reference	DESCRIPTION	ITEM	Page Reference	DESCRIPTION
1	Page 26	Spring Body / Shank Assembly	4		Bolt, Grade 5, 3/8"-16 x 3"
2		Polyurethane Pin Bushing - 1.5	5		Nut, Nylon Insert Lock, Grade 2, 3/8"-16
3		Pin, 1-1/4" x 6" YZP	6		Center T-Frame: 55'-65'



# Main Frame Assembly, RH



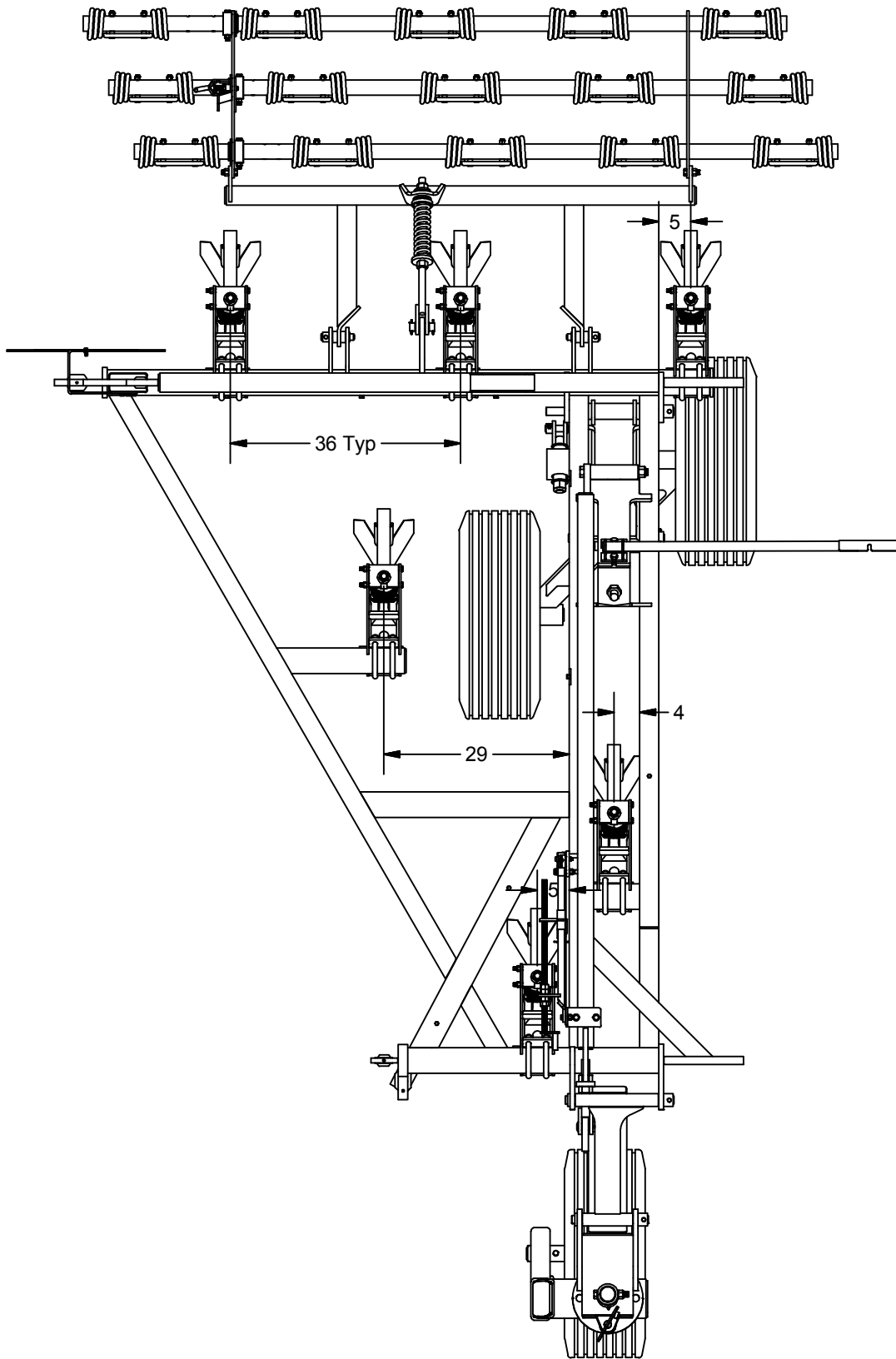
# Main Frame Assembly, RH



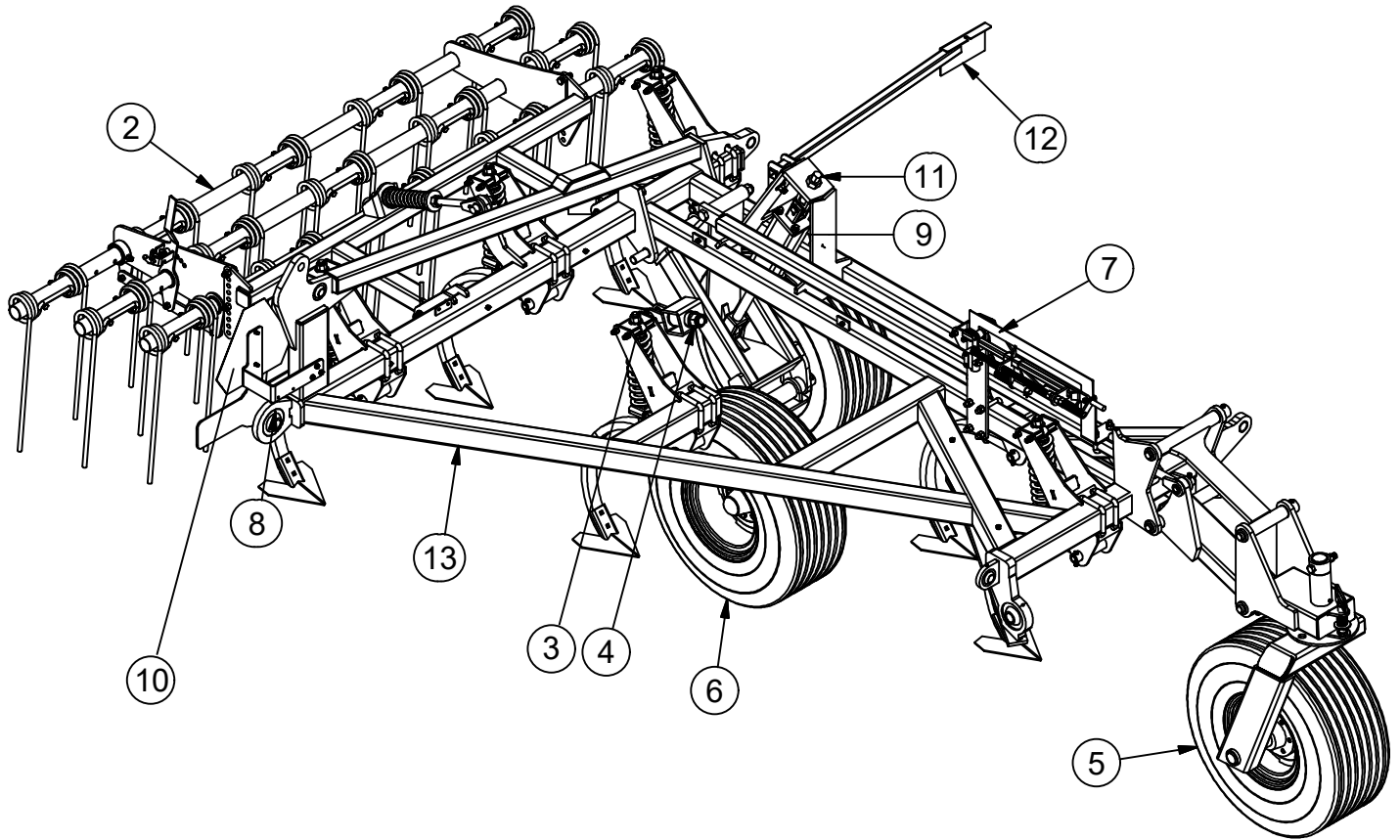
Main Frame Assembly, RH: 55'-65'			Main Frame Assembly, RH: 55'-65'		
ITEM	Page Reference	DESCRIPTION	ITEM	Page Reference	DESCRIPTION
1	Page 22	Caster Wheel Adjustable Linkage	17		Nut: 1-1/4"
2	Page 28	Harrow Assembly, 3 Row, LH: 10'	18		Nut, Nylon Insert Lock, Grade 2, 3/8"-16
3	Page 26	Spring Body / Shank Assembly	19		Nut, Nylon Insert Lock, Grade 2, 1/2"-13
4	Page 25	Torsion Assembly - Main	20		Nut, Nylon Insert Lock, Grade 2, 5/8"-11
5	Page 31	Caster Wheel Assembly - Right	21		Nut, Nylon Insert Lock, Grade 2, 1"-8
6	Page 23	Rock Shaft Assembly	22		Washer, USS, 5/8" x 1.750"
7	Page 35	Main Frame Wheel Assembly - Right Rear	23		Washer, 1" x 2" O.D.
8		Pin, 1" x 5-1/4" YZP	24		Connex 1-1/2"OD x 1-1/4"ID x 3/4"L
9		Pin, 1-1/4" x 17" YZP	25		Connex, 1-3/4"OD x 1-1/2"ID x 1-1/4"L
10		Pin, 1-1/4" x 20" YZP	26		Connex 1-3/4"OD x 1-1/2"ID x 1-1/2"L
11		Pin, 1-1/2" x 10" YZP	27		Zerk, Grease: 1/8"-27 NPT
12		Bolt: 1/2" x 3-1/2"	28		Cyl, Tie-rod, Repr: 4.25" x 12", 22-1/4" Ret.
13		Bolt, Grade 5, 3/8"-16 x 2-1/4"	29		Cylinder Adjustment Tab
14		Bolt, Grade 5, 3/8"-16 x 3"	30		Light Bracket - Right
15		Bolt, Grade 8, 5/8"-11 x 2"	31		Main Frame, Right: 55'-65'
16		Bolt, Grade 8, 1"-8 x 10"			



# Main Frame Assembly, LH



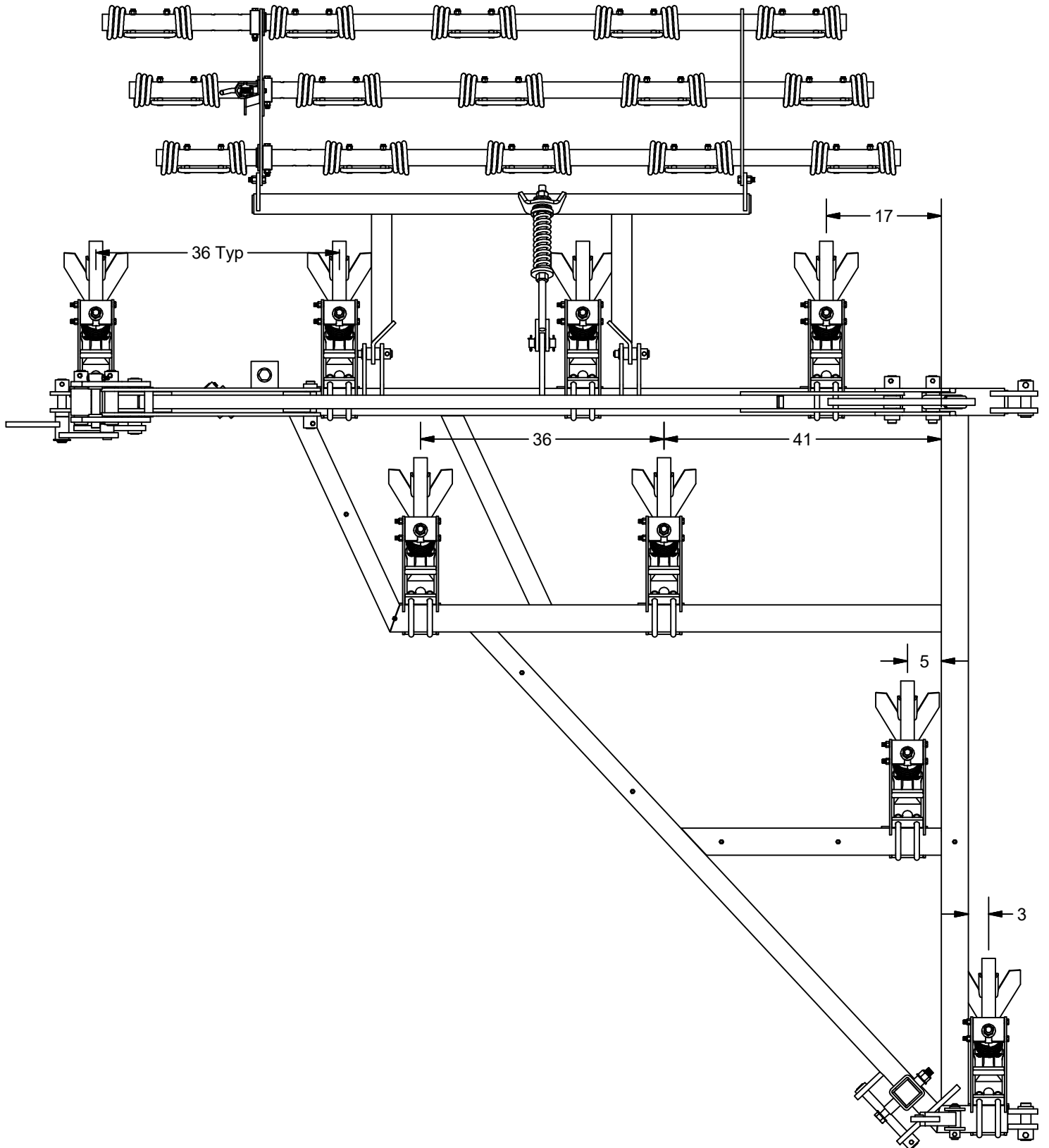
# Main Frame Assembly, LH



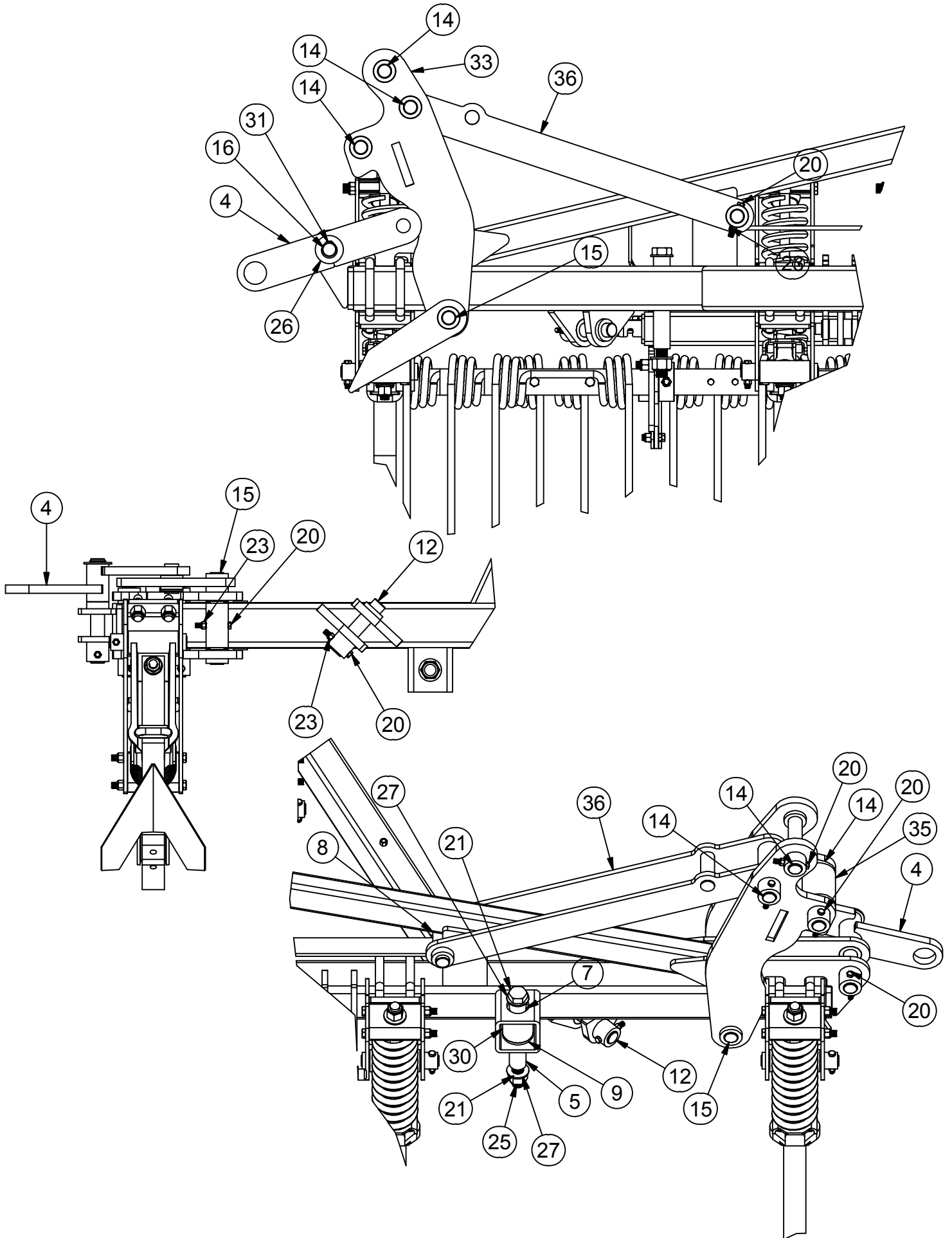
SEE PAGES 4-5 FOR ITEMS NOT SHOWN ON THIS PAGE

Main Frame Assembly, LH: 55'-65'			Main Frame Assembly, LH: 55'-65'		
ITEM	Page Reference	DESCRIPTION	ITEM		
1	Page 22	Caster Wheel Adjustable Linkage			
2	Page 27	Harrow Assembly, 3 Row, RH: 10'			
3	Page 26	Spring Body / Shank Assembly			
4	Page 25	Torsion Assembly - Main			
5	Page 32	Caster Wheel Assembly, Main - Left			
6	Page 36	Main Frame Wheel Assembly - Left Rear			
7		Depth Control			
8		Slow Moving Vehicle Bracket			
9	R1941205	Cyl, Tie-rod, Repl: 4.25" x 12", 22-1/4" Ret.			
10	R9913001	Sign, SMV Emblem w/ Aluminum backing			
11		Cylinder Adjustment Tab			
12		Light Bracket - Left			
13		Main Frame: Left: 55'-65'			

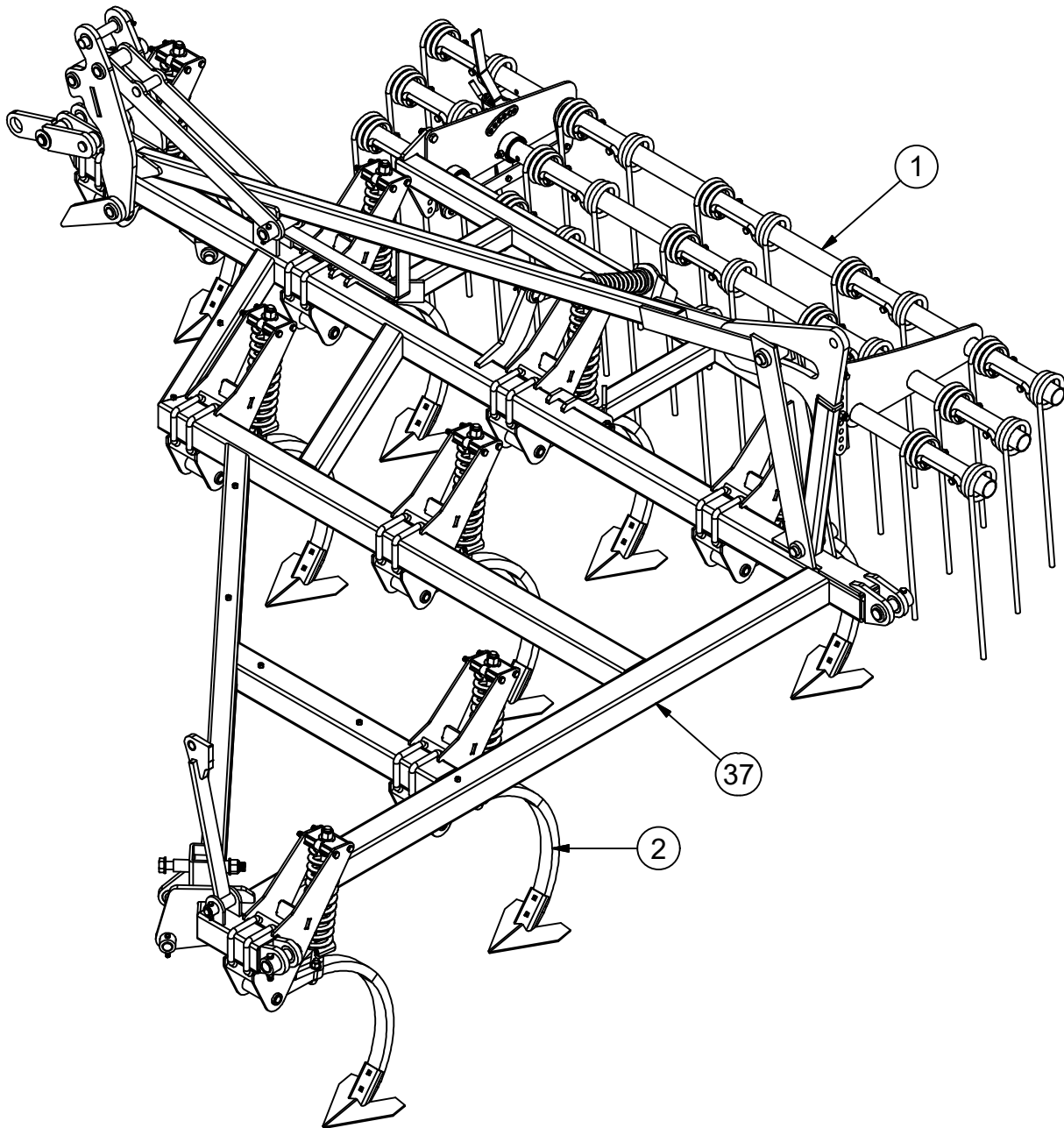
Inner Wing Assembly, Inside RH



Inner Wing Assembly, Inside RH

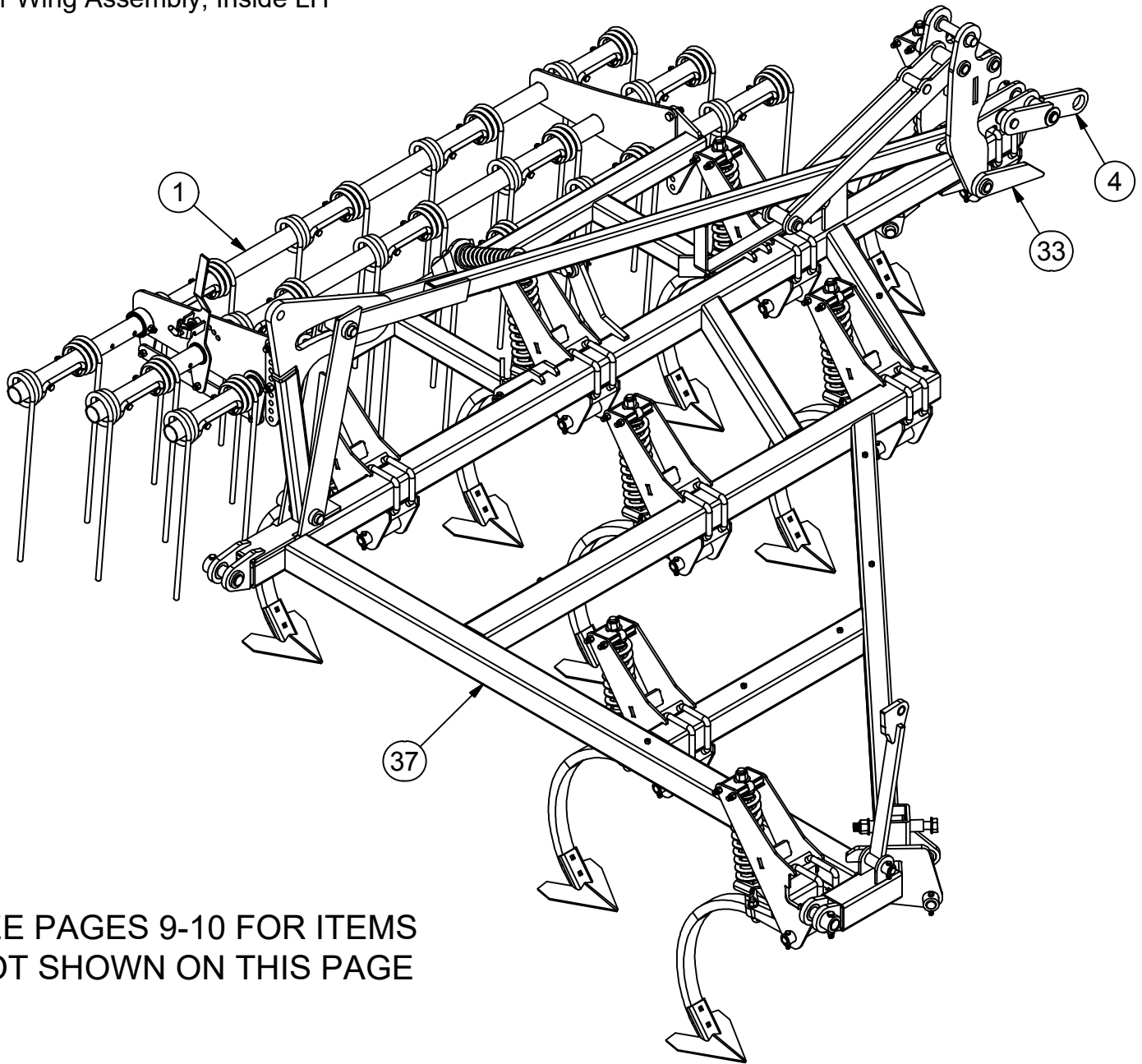


# Inner Wing Assembly, Inside RH



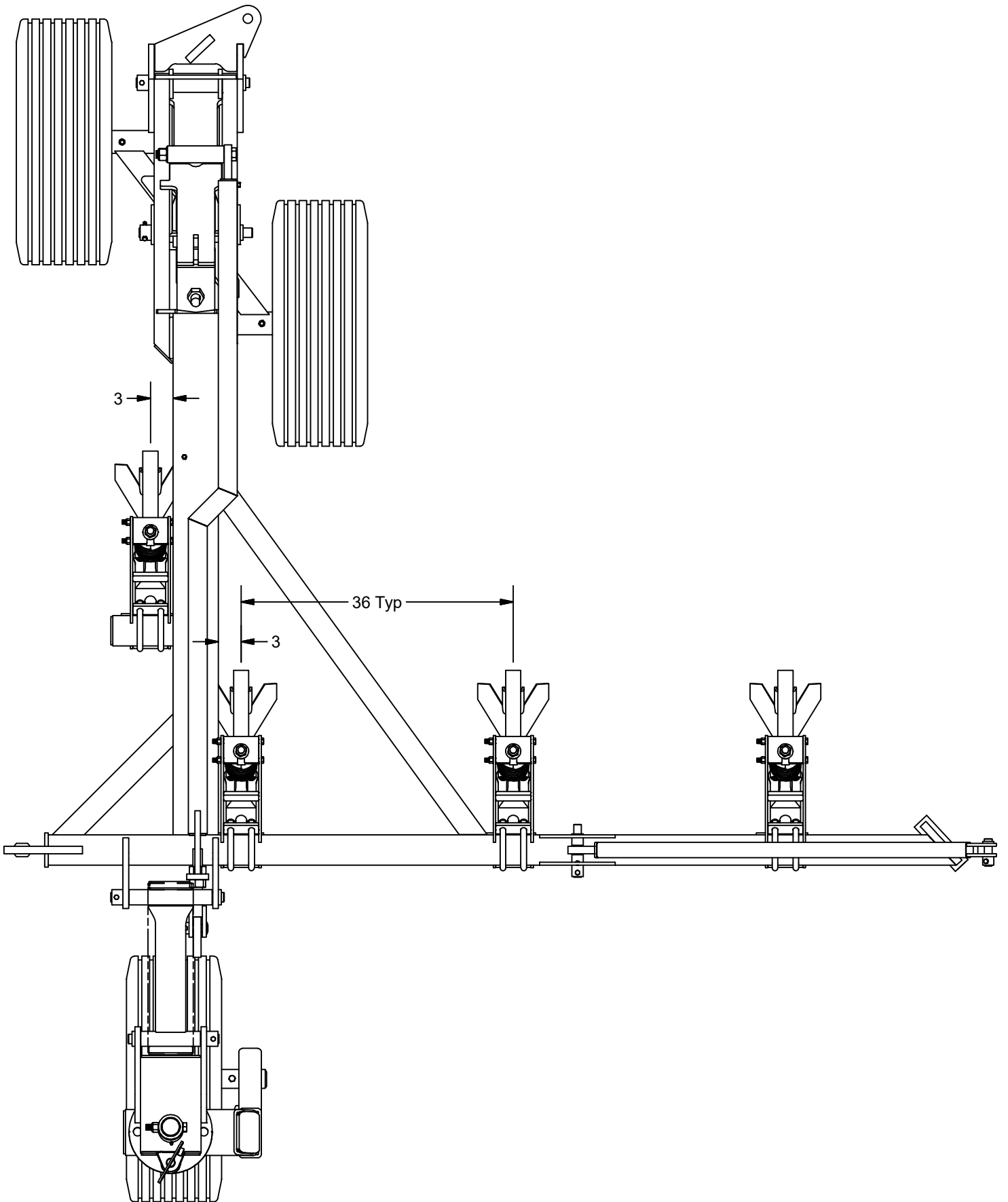
Inner Wing Assembly, Inside RH: 55'-65'			Inner Wing Assembly, Inside RH: 55'-65'		
ITEM	Page Reference	DESCRIPTION	ITEM	Page Reference	DESCRIPTION
1	Page 28	Harrow Assembly, 3 Row, LH: 120	20		Bolt, Grade 5, 3/8"-16 x 3"
2	Page 26	Spring Body / Shank Assembly	21		Bolt, Grd 8: 1" x 11"
3		Lift Bushing	22		Bolt, Grade 8, 1"-8 x 10"
4		Trip Lever - Right	23		Nut, Nylon Insert Lock, Grade 2, 3/8"-16
5		Torque Bushing	24		Nut, Nylon Insert Lock, Grade 2, 1/2"-13
6		Torque Bushing	25		Nut, Nylon Insert Lock, Grade 2, 1"-8
7		Torque Bushing	26		Washer, SAE, 1-1/4" x 2.500"
8		Roller Bushing	27		Washer, 1" x 2" O.D.
9		Torque Spacer	28	R1010004	Connex 1-1/4"OD x 1"ID x 1"L
10		Pin, 1" x 5-1/4" YZP	29	R1012501	Connex 1-1/2"OD x 1-1/4"ID x 1"L
11		Pin, 1-1/4" x 12" YZP	30		Torque Insert
12		Pin, 1-1/4" x 6" YZP	31		Ring, Snap: 2-1/2"
13		Pin, 1-1/4" x 7" YZP	32		Wing Rest - Front
14		Pin, 1-1/4" x 8-1/8" YZP	33		Outer Wing Lift Linkage Arm - Right
15		Pin, 1-1/4" x 8-1/4" (Custom) YZP	34		Wing Lift Bracket
16		Pin, Snap Ring, 1-1/4" x 9-3/8" YZP	35		Wing Guide Roller
17		Pin, 1-1/2" x 5-1/2" YZP	36		Wing Lift Limiter Bracket
18		Bolt: 1/2" x 3-1/2"	37		Inner Wing Frame, Inside Right: 55'-65'
19		Bolt, Grade 5, 3/8"-16 x 2-1/4"			

# Inner Wing Assembly, Inside LH

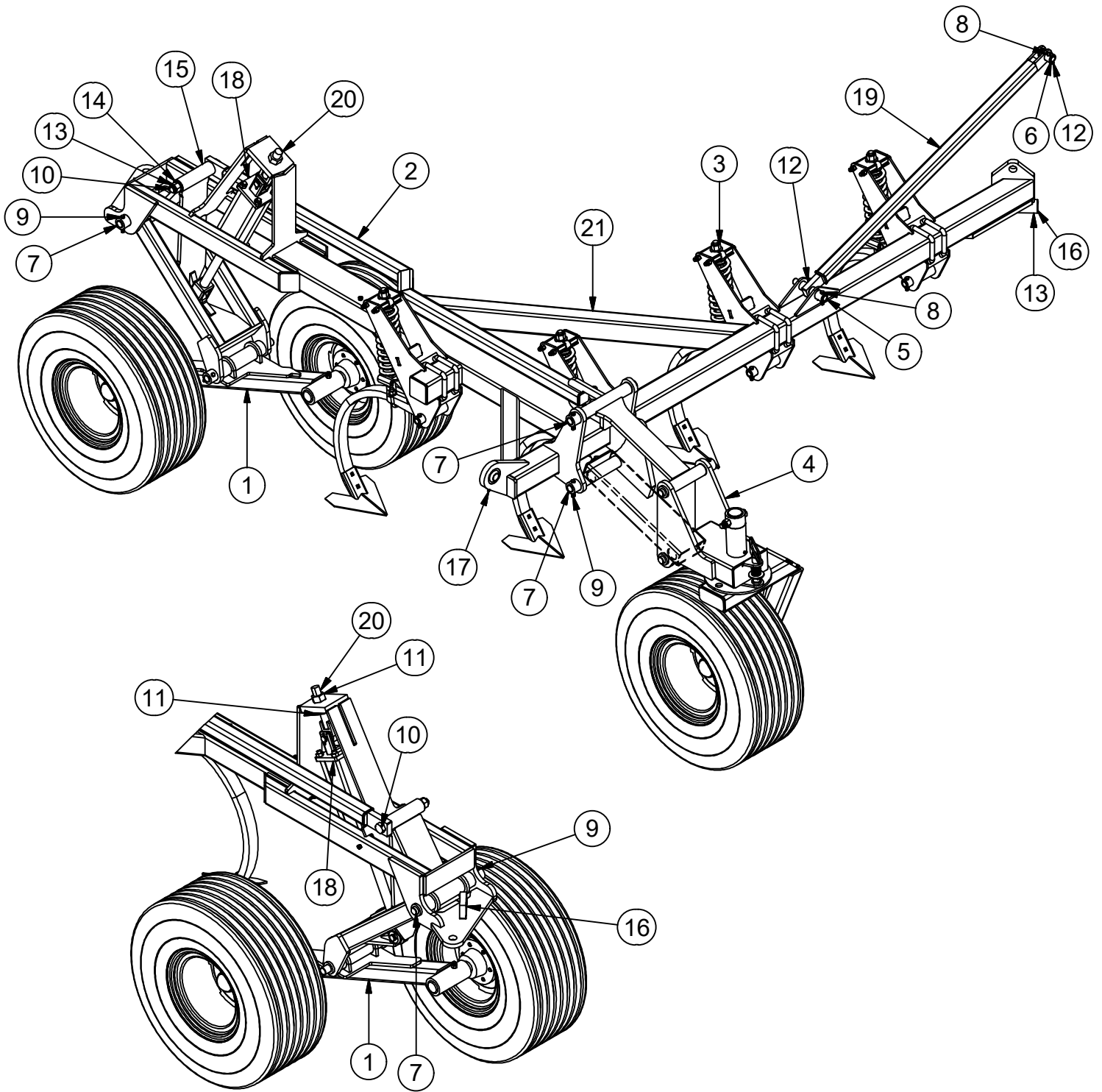


SEE PAGES 9-10 FOR ITEMS NOT SHOWN ON THIS PAGE

Inner Wing Assembly, Inside LH: 55'-65'			Inner Wing Assembly, Inside LH: 55'-65'		
ITEM	Page Reference	DESCRIPTION	ITEM	Page Reference	DESCRIPTION
1	Page 27	Harrow Assembly, 3 Row, RH: 120	20		Bolt, Grade 5, 3/8"-16 x 3"
2	Page 26	Spring Body / Shank Assembly	21		Bolt, Grd 8: 1" x 11"
3		Lift Bushing	22		Bolt, Grade 8, 1"-8 x 10"
4		Trip Lever - Left	23		Nut, Nylon Insert Lock, Grade 2, 3/8"-16
5		Torque Bushing	24		Nut, Nylon Insert Lock, Grade 2, 1/2"-13
6		Torque Bushing	25		Nut, Nylon Insert Lock, Grade 2, 1"-8
7		Torque Bushing	26		Washer, SAE, 1-1/4" x 2.500"
8		Roller Bushing	27		Washer, 1" x 2" O.D.
9		Torque Spacer	28	R1010004	Connex 1-1/4"OD x 1"ID x 1"L
10		Pin, 1" x 5-1/4" YZP	29	R1012501	Connex 1-1/2"OD x 1-1/4"ID x 1"L
11		Pin, 1-1/4" x 12" YZP	30		Torque Insert
12		Pin, 1-1/4" x 6" YZP	31		Ring, Snap: 2-1/2"
13		Pin, 1-1/4" x 7" YZP	32		Wing Rest - Front
14		Pin, 1-1/4" x 8-1/8" YZP	33		Outer Wing Lift Linkage Arm - Left
15		Pin, 1-1/4" x 8-1/4" (Custom) YZP	34		Wing Lift Bracket
16		Pin, Snap Ring, 1-1/4" x 9-3/8" YZP	35		Wing Guide Roller
17		Pin, 1-1/2" x 5-1/2" YZP	36		Wing Lift Limiter Bracket
18		Bolt: 1/2" x 3-1/2"	37		Inner Wing Frame, Inside Left: 55'-65'
19		Bolt, Grade 5, 3/8"-16 x 2-1/4"			



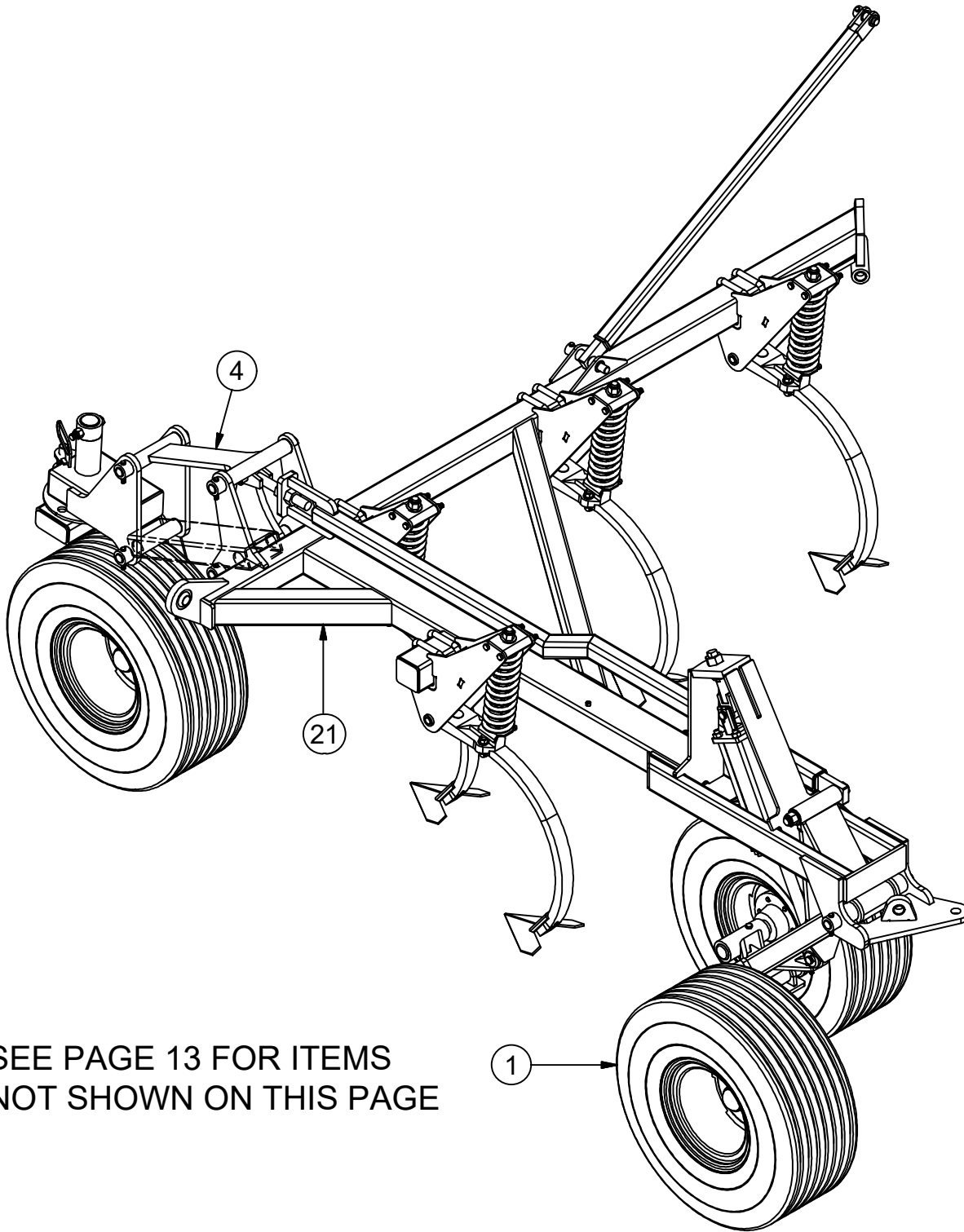
# Inner Wing Assembly, Outside RH



Inner Wing Assembly, Outside RH: 55'-65'			Inner Wing Assembly, Outside RH: 55'-65'		
ITEM	Page Reference	DESCRIPTION	ITEM	Page Reference	DESCRIPTION
1	Page 37	Inner Wing Wheel Assembly - Right Rear	12		Nut, Nylon Insert Lock, Grade 2, 3/8"-16
2	Page 24	Caster Wheel Linkage Bar - Wing	13		Nut, Nylon Insert Lock, Grade 2, 1"-8
3	Page 26	Spring Body / Shank Assembly	14		Washer, 1" x 2" O.D.
4	Page 33	Caster Wheel Assembly, Wing - Right	15		Connex 1-1/4"OD x 1"ID x 1"L
5		Pin, 1" x 7" YZP	16		Connex 1-1/2"OD x 1-1/4"ID x 1"L
6		Pin, 1" x 3-5/8" YZP	17		Zerk, Grease: 1/8"-27 NPT
7		Pin, 1-1/4" x 15" YZP	18	R1941205	Cyl, Tie-rod, Repl: 4.25" x 12", 22-1/4" Ret.
8		Bolt, Grade 5, 3/8"-16 x 2-1/4"	19		Wing Lift Linkage Arm - Front
9		Bolt, Grade 5, 3/8"-16 x 3"	20		Cylinder Adjustment Tab
10		Bolt, Grade 8, 1"-8 x 10"	21		Inner Wing Frame, Outside Right: 55'-65'
11		Nut: 1-1/4"			



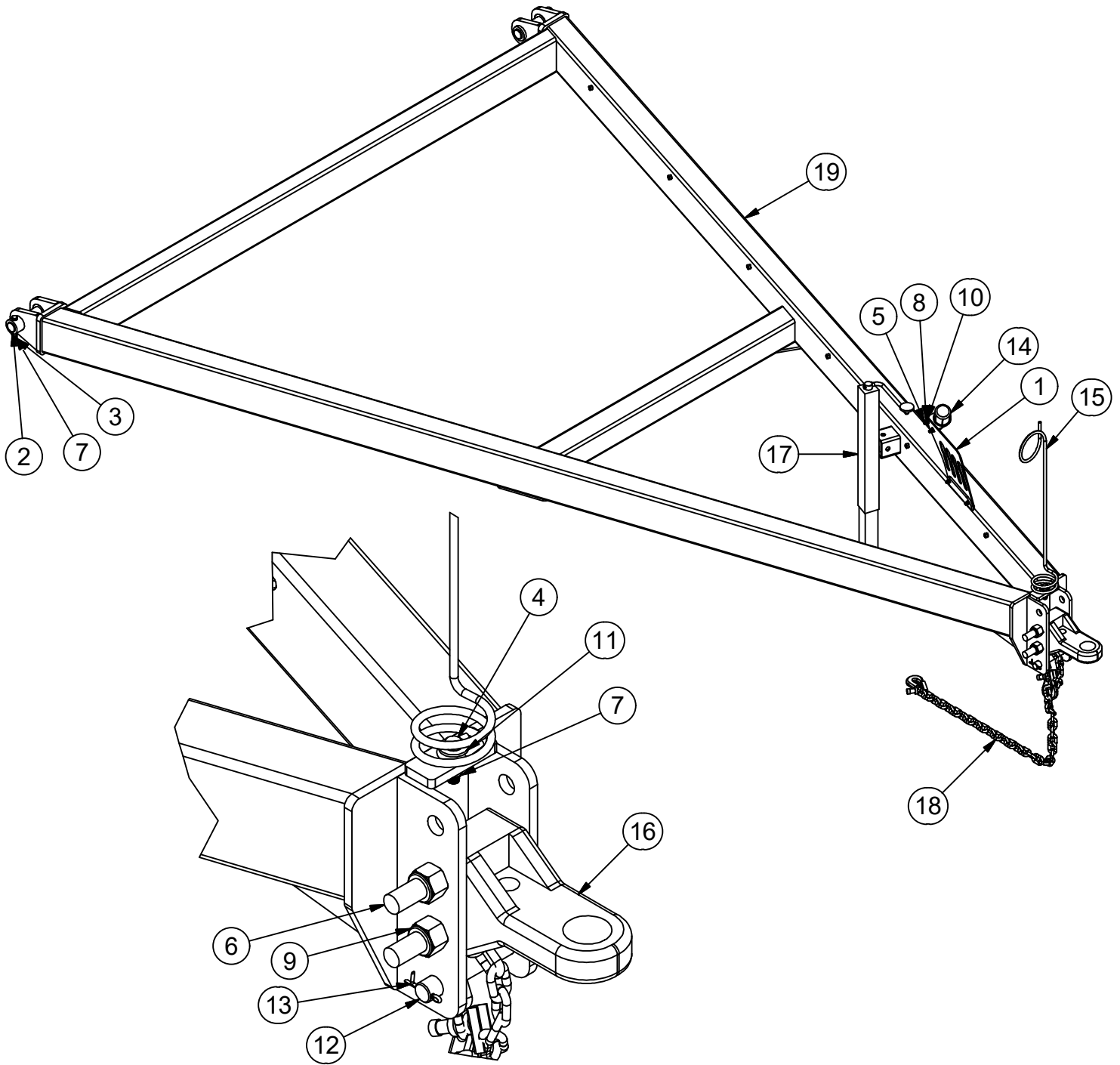
# Inner Wing Assembly, Outside LH



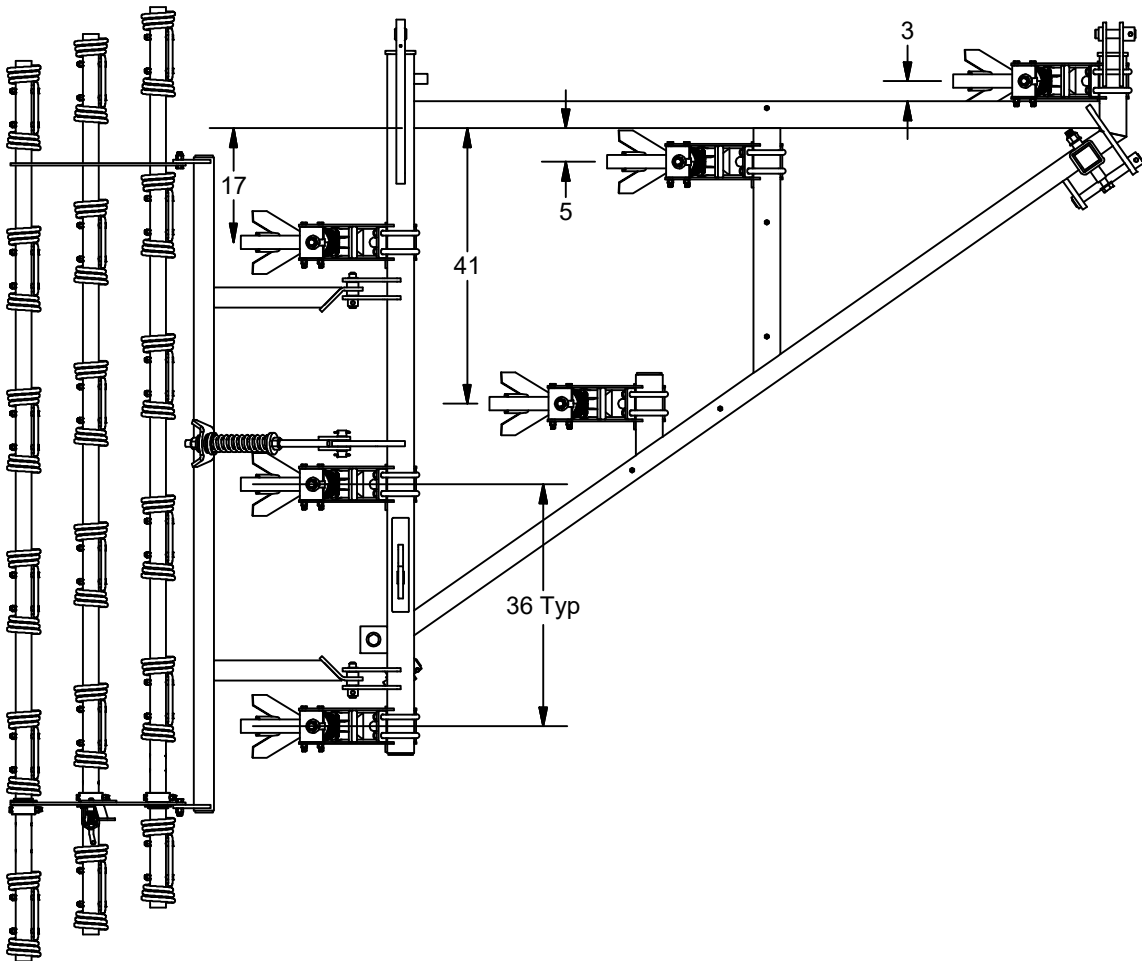
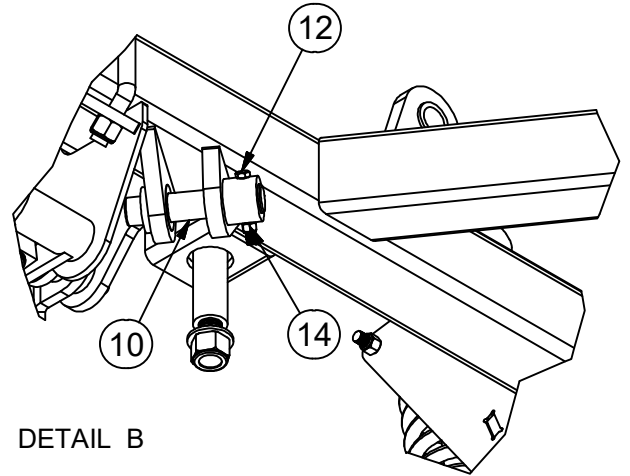
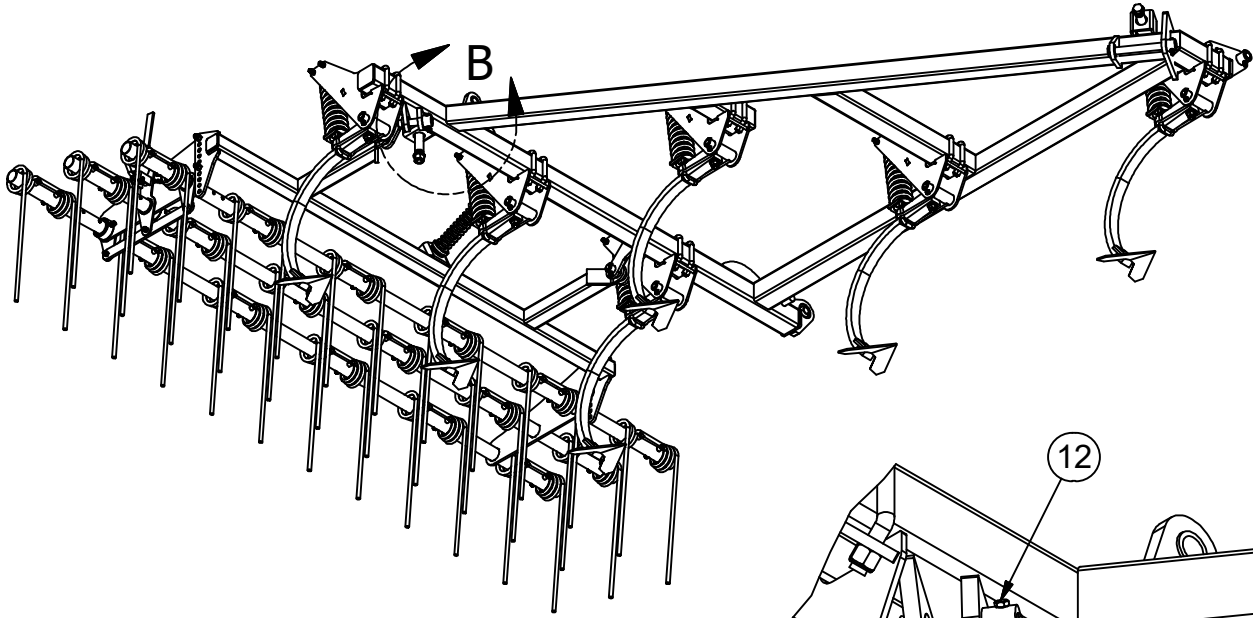
SEE PAGE 13 FOR ITEMS NOT SHOWN ON THIS PAGE

Inner Wing Assembly, Outside LH: 55'-65'			Inner Wing Assembly, Outside LH: 55'-65'		
ITEM	Page Reference	DESCRIPTION	ITEM	Page Reference	DESCRIPTION
1	Page 38	Inner Wing Wheel Assembly - Left Rear	12		Nut, Nylon Insert Lock, Grade 2, 3/8"-16
2	Page 24	Caster Wheel Linkage Bar - Wing	13		Nut, Nylon Insert Lock, Grade 2, 1"-8
3	Page 26	Spring Body / Shank Assembly	14		Washer, 1" x 2" O.D.
4	Page 34	Caster Wheel Assembly, Wing - Left	15	R1010004	Connex 1-1/4"OD x 1"ID x 1"L
5		Pin, 1" x 7" YZP	16	R1012501	Connex 1-1/2"OD x 1-1/4"ID x 1"L
6		Pin, 1" x 3-5/8" YZP	17		Zerk, Grease: 1/8"-27 NPT
7		Pin, 1-1/4" x 15" YZP	18	R1941205	Cyl, Tie-rod, Repl: 4.25" x 12", 22-1/4" Ret.
8		Bolt, Grade 5, 3/8"-16 x 2-1/4"	19		Wing Lift Linkage Arm - Front
9		Bolt, Grade 5, 3/8"-16 x 3"	20		Cylinder Adjustment Tab
10		Bolt, Grade 8, 1"-8 x 10"	21		Inner Wing Frame, Outside Left: 55'-65'
11		Nut: 1-1/4"			

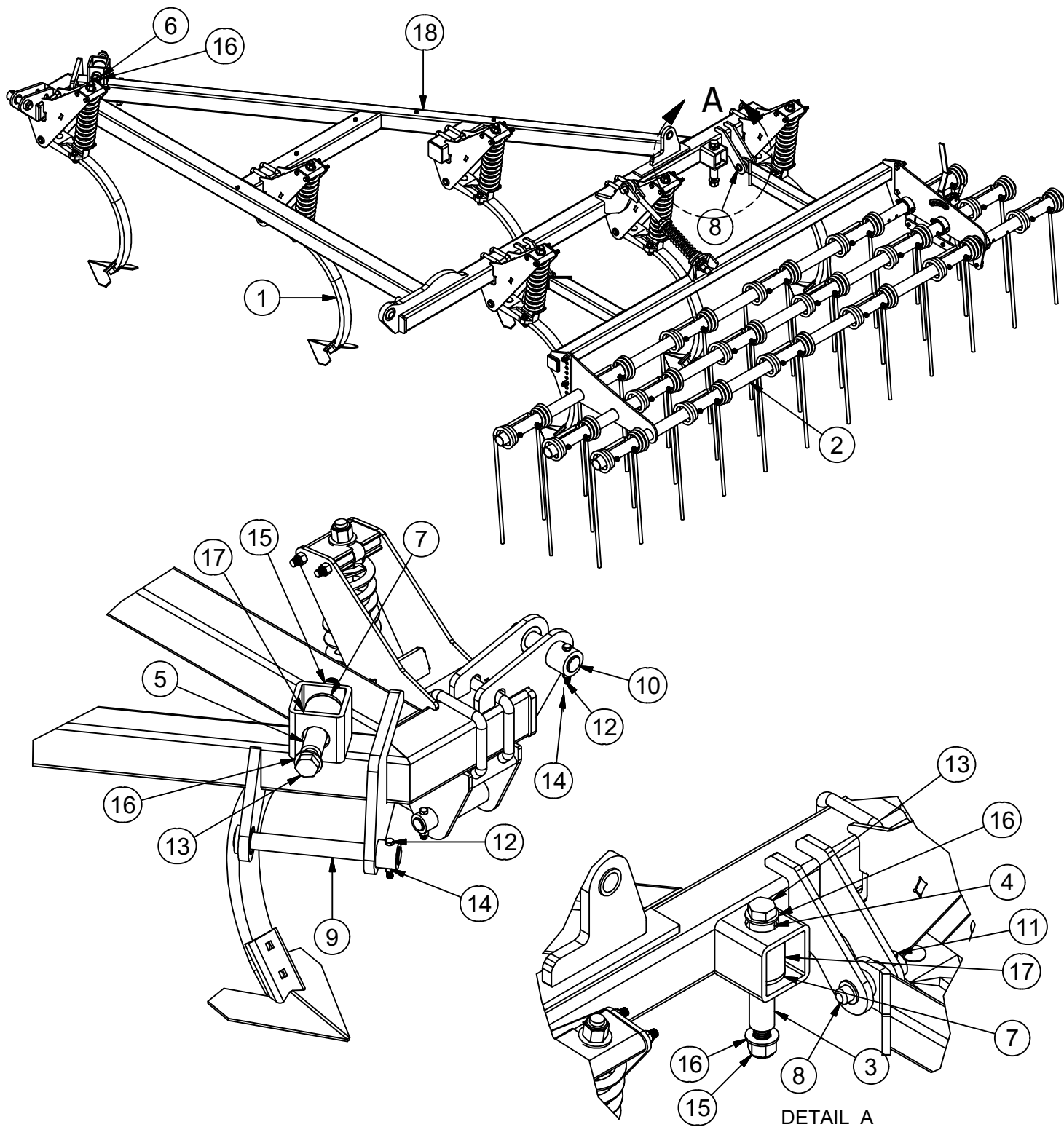
# Hitch Assembly



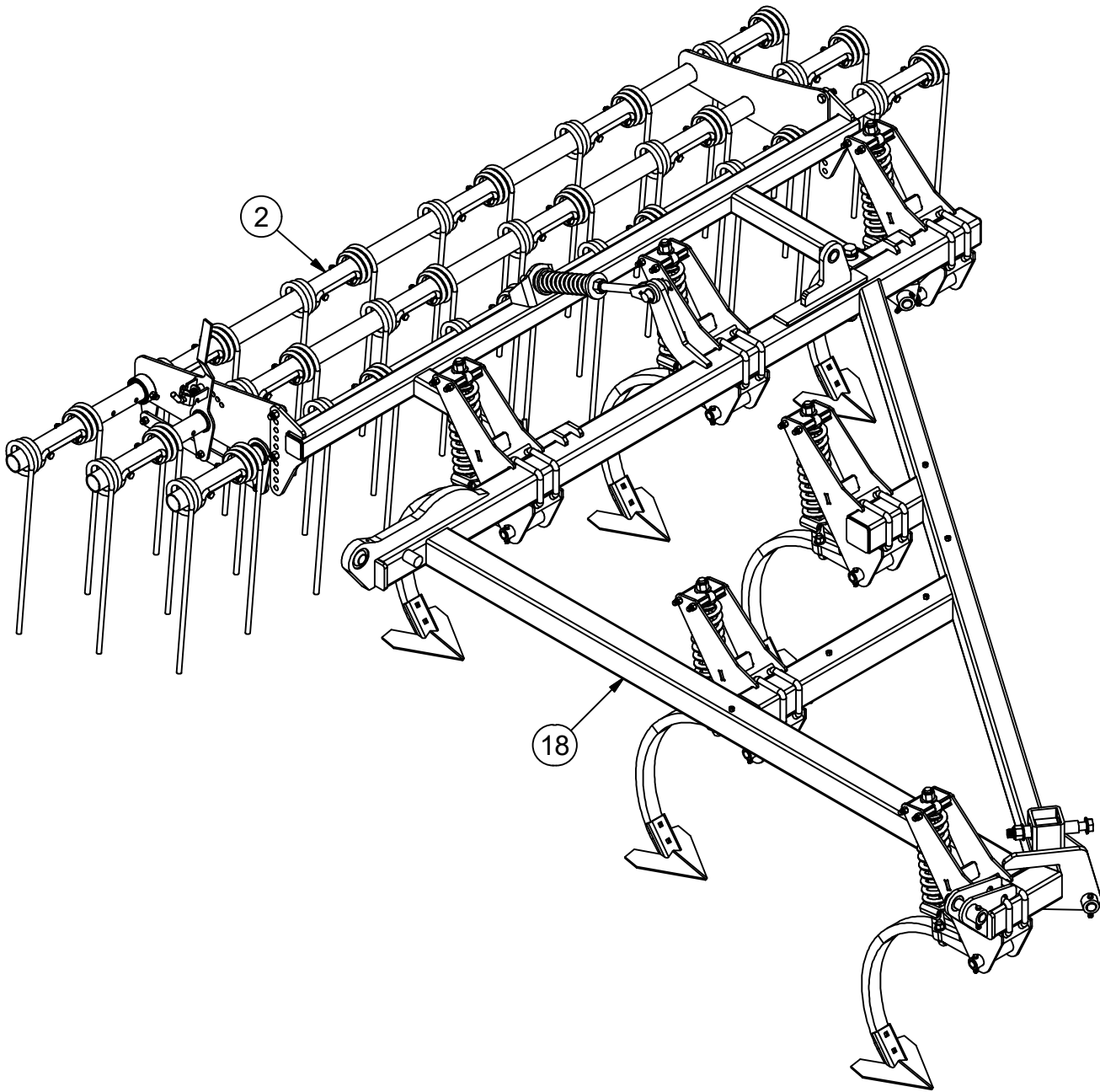
Hitch Assembly			Hitch Assembly		
ITEM	PART NUMBER	DESCRIPTION	ITEM	PART NUMBER	DESCRIPTION
1		Hydraulic Coupler Storage Plate	11		Washer, USS, 1/2"
2		Pin, 1-1/2" x 7" YZP	12	R0810601	Pin, Clevis, Safety Chain: 1" x 6"
3		Bolt: 1/2" x 3-1/2"	13	R1619251	Pin, Cotter: 3/16" x 1.5"
4		Bolt, Grade 5, 1/2"-13 x 2"	14	R1701018	Protector, Electrical Plug 7 pin round
5		Bolt, Grade 8, 1/4"-20 x 1"	15	R1899001	Retainer, Hose, Spring loaded .375x4x30
6		Bolt, Grade 8, 1"-8 x 8"	16	R9901003	Hitch, Pintle, Cat 3 - 2 on 3" Holes
7		Nut, Nylon Insert Lock, Grade 2, 1/2"-13	17	R9909004	Jack, 7K Light, Sq. Receiver
8		Nut, Nylon Insert Lock, Grd 8, 1/4"-20	18	R9910002	1/2" Safety Chain, with Clevis link
9		Nut, Nylon Insert Lock, Grade 8, 1"-8	19		Hitch Frame: 55'-65'
10		Washer, USS, 1/4" x 0.625"			



# Outer Wing Assembly, Inside, RH



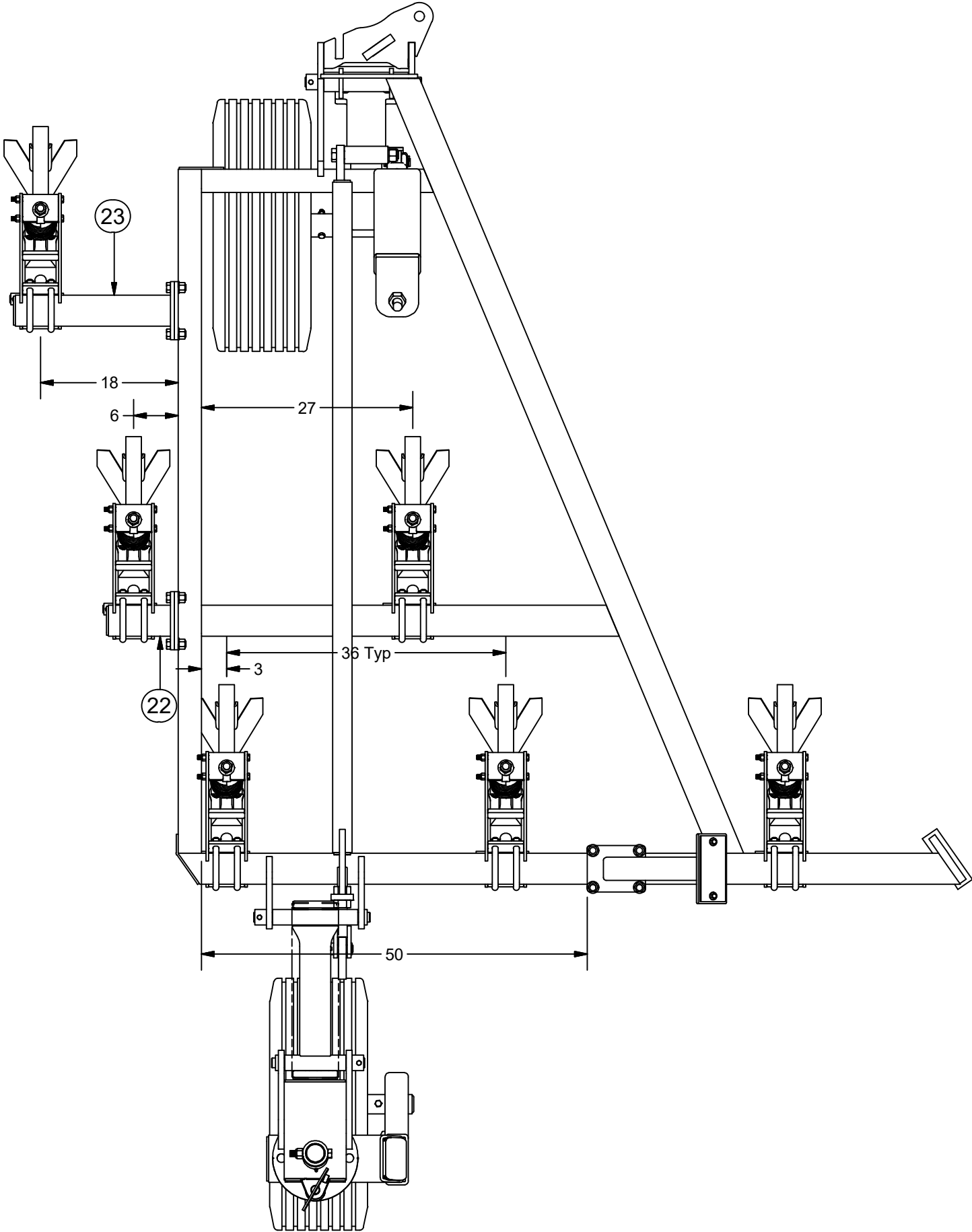
Outer Wing Assembly, Inside, RH: 65'			Outer Wing Assembly, Inside, RH: 65'		
ITEM	Page Reference	DESCRIPTION	ITEM	Page Reference	DESCRIPTION
1	Page 26	Spring Body / Shank Assembly	10		Pin, 1-1/4" x 6" YZP
2	Page 29	Harrow Assembly, 3 Row: 12'	11		Bolt, Grade 5, 3/8"-16 x 2-1/4"
3		Torque Bushing	12		Bolt, Grade 5, 3/8"-16 x 3"
4		Torque Bushing	13		Bolt, Grade 8, 1"-8 x 10"
5		Torque Bushing	14		Nut, Nylon Insert Lock, Grade 2, 3/8"-16
6		Torque Bushing	15		Nut, Nylon Insert Lock, Grade 2, 1"-8
7		Torque Spacer	16		Washer, 1" x 2" O.D.
8		Pin, 1" x 5-1/4" YZP	17		Torque Insert
9		Pin, 1-1/4" x 12" YZP	18		Wing, Inside, Right - 65'



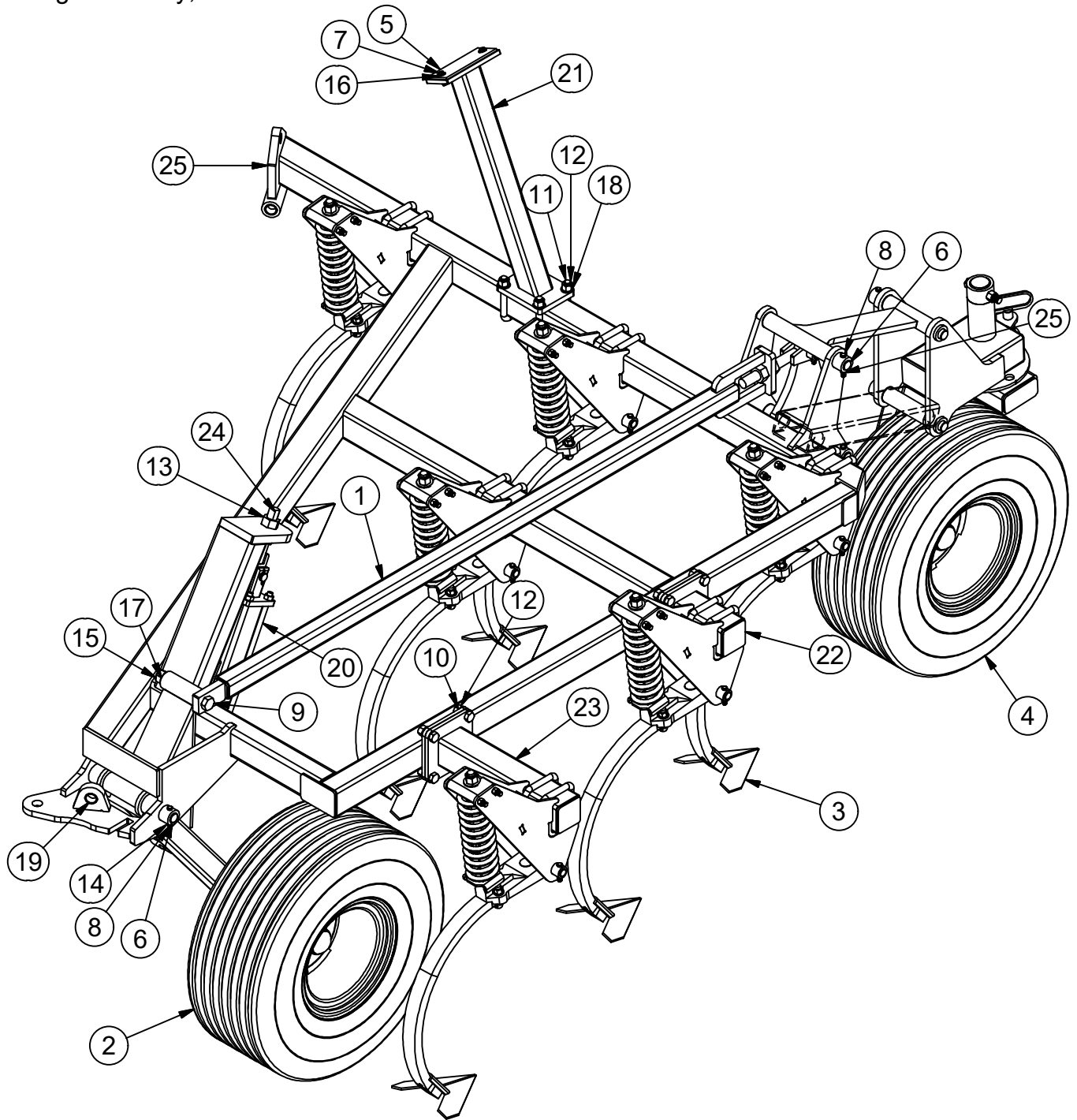
SEE PAGES 16-17 FOR ITEMS  
NOT SHOWN ON THIS PAGE

Outer Wing Assembly, Inside LH: 65'			Outer Wing Assembly, Inside LH: 65'		
ITEM	Page Reference	DESCRIPTION	ITEM	Page Reference	DESCRIPTION
1	Page 26	Spring Body / Shank Assembly	10		Pin, 1-1/4" x 6" YZP
2	Page 30	Harrow Assembly, 3 Row: 144	11		Bolt, Grade 5, 3/8"-16 x 2-1/4"
3		Torque Bushing	12		Bolt, Grade 5, 3/8"-16 x 3"
4		Torque Bushing	13		Bolt, Grade 8, 1"-8 x 10"
5		Torque Bushing	14		Nut, Nylon Insert Lock, Grade 2, 3/8"-16
6		Torque Bushing	15		Nut, Nylon Insert Lock, Grade 2, 1"-8
7		Torque Spacer	16		Washer, 1" x 2" O.D.
8		Pin, 1" x 5-1/4" YZP	17		Torque Insert
9		Pin, 1-1/4" x 12" YZP	18		Wing, Inside, Left - 65'

Outer Wing Assembly, Outside RH

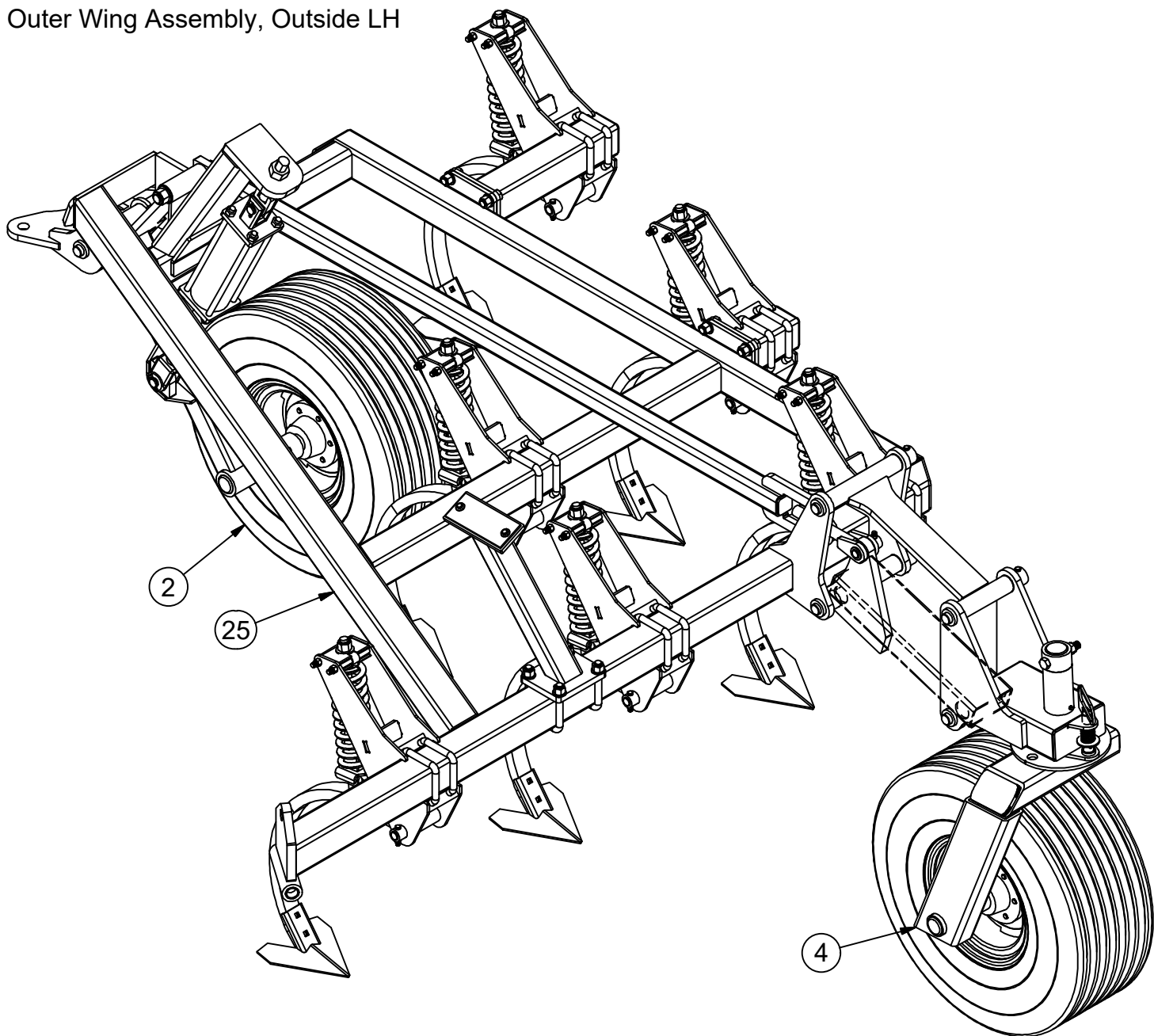


# Outer Wing Assembly, Outside RH



Outer Wing Assembly, Outside RH: 65'			Outer Wing Assembly, Outside RH: 65'		
ITEM	Page Reference	DESCRIPTION	ITEM	Page Reference	DESCRIPTION
1	Page 22	Caster Wheel Adjustable Linkage	14		Nut, Nylon Insert Lock, Grade 2, 3/8"-16
2	Page 39	Wheel Standard Outer Right	15		Nut, Nylon Insert Lock, Grade 2, 1"-8
3	Page 26	Spring Body / Shank Assembly	16		Washer, USS, 3/8" x 1.000"
4	Page 33	Caster Wheel Assembly, Wing - Right	17		Washer, 1" x 2" O.D.
5		Rubber Pad	18		Lock Washer, 3/4", Medium
6		Pin, 1-1/4" x 15" YZP	19	R1012501	Connex 1-1/2"OD x 1-1/4"ID x 1"L
7		Bolt: 3/8" x 1-1/2"	20	R1941205	Cyl, Tie-rod, Repl: 4.25" x 12", 22-1/4" Ret.
8		Bolt, Grade 5, 3/8"-16 x 3"	21		Outer Wing Support
9		Bolt, Grade 8, 1"-8 x 8"	22		Spring Body Stud
10		Bolt, Grade 8, 3/4"-16 x 2" Fine Thread	23		Spring Body Stud
11		U-Bolt: 3/4" x 4" x 6"	24		Cylinder Adjustment Tab
12		Nut, Hex, Grade A, 3/4"-10	25		Wing, Outside, Right - 65'
13		Nut: 1-1/4"			

# Outer Wing Assembly, Outside LH

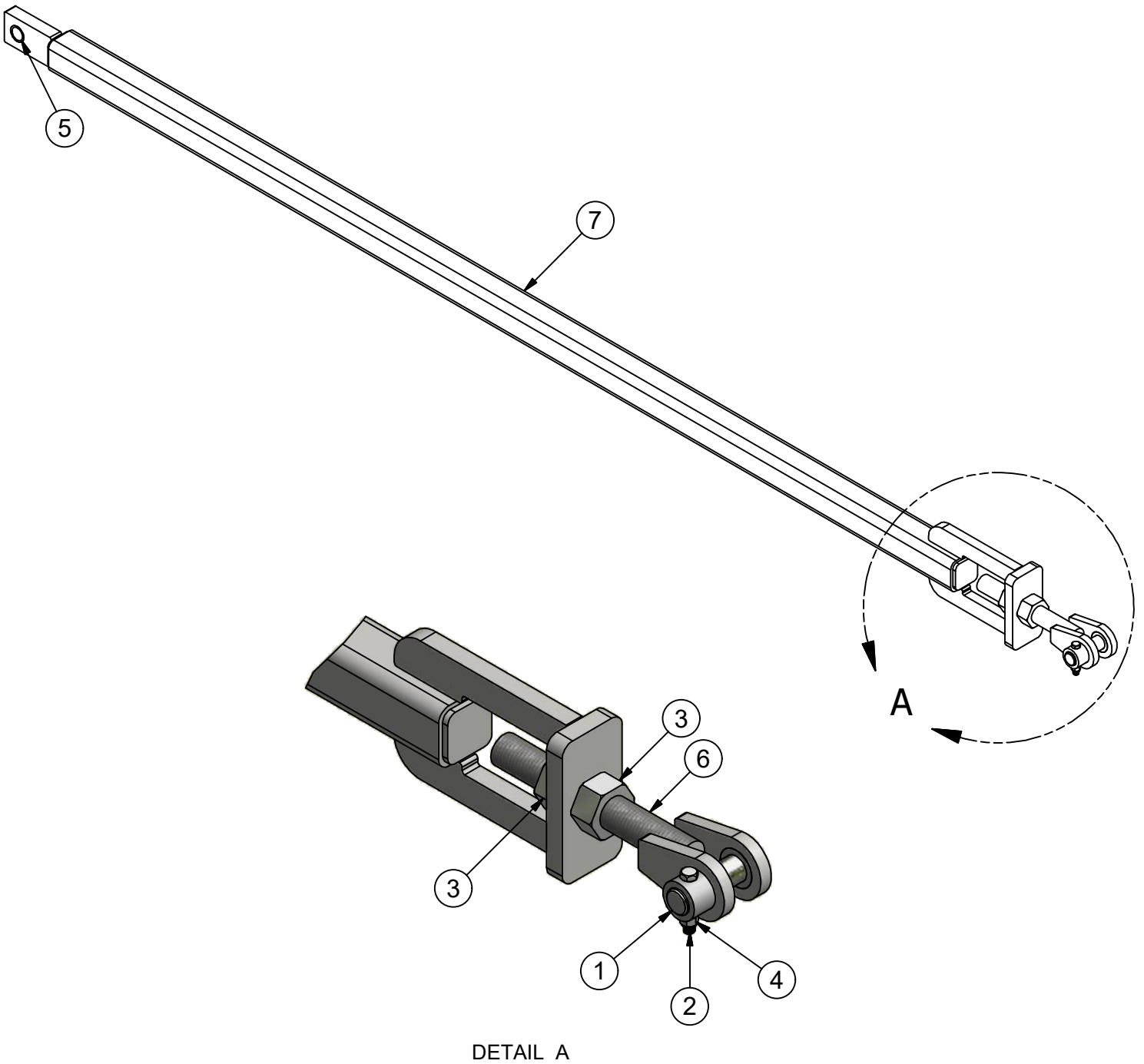


SEE PAGE 20 FOR ITEMS  
NOT SHOWN ON THIS PAGE

Outer Wing Assembly, Outside LH: 65'			Outer Wing Assembly, Outside LH: 65'		
ITEM	Page Reference	DESCRIPTION	ITEM	Page Reference	DESCRIPTION
1	Page 22	Caster Wheel Adjustable Linkage	14		Nut, Nylon Insert Lock, Grade 2, 3/8"-16
2	Page 40	Wheel Standard Outer Left	15		Nut, Nylon Insert Lock, Grade 2, 1"-8
3	Page 26	Spring Body / Shank Assembly	16		Washer, USS, 3/8" x 1.000"
4	Page 34	Caster Wheel Assembly, Wing - Left	17		Washer, 1" x 2" O.D.
5		Rubber Pad	18		Lock Washer, 3/4", Medium
6		Pin, 1-1/4" x 15" YZP	19	R1012501	Connex 1-1/2"OD x 1-1/4"ID x 1"L
7		Bolt: 3/8" x 1-1/2"	20	R1941205	Cyl, Tie-rod, Reph: 4.25" x 12", 22-1/4" Ret.
8		Bolt, Grade 5, 3/8"-16 x 3"	21		Outer Wing Support
9		Bolt, Grade 8, 1"-8 x 8"	22		Spring Body Stud
10		Bolt, Grade 8, 3/4"-16 x 2" Fine Thread	23		Spring Body Stud
11		U-Bolt: 3/4" x 4" x 6"	24		Cylinder Adjustment Tab
12		Nut, Hex, Grade A, 3/4"-10	25		Wing, Inside, Left - 65'
13		Nut: 1-1/4"			

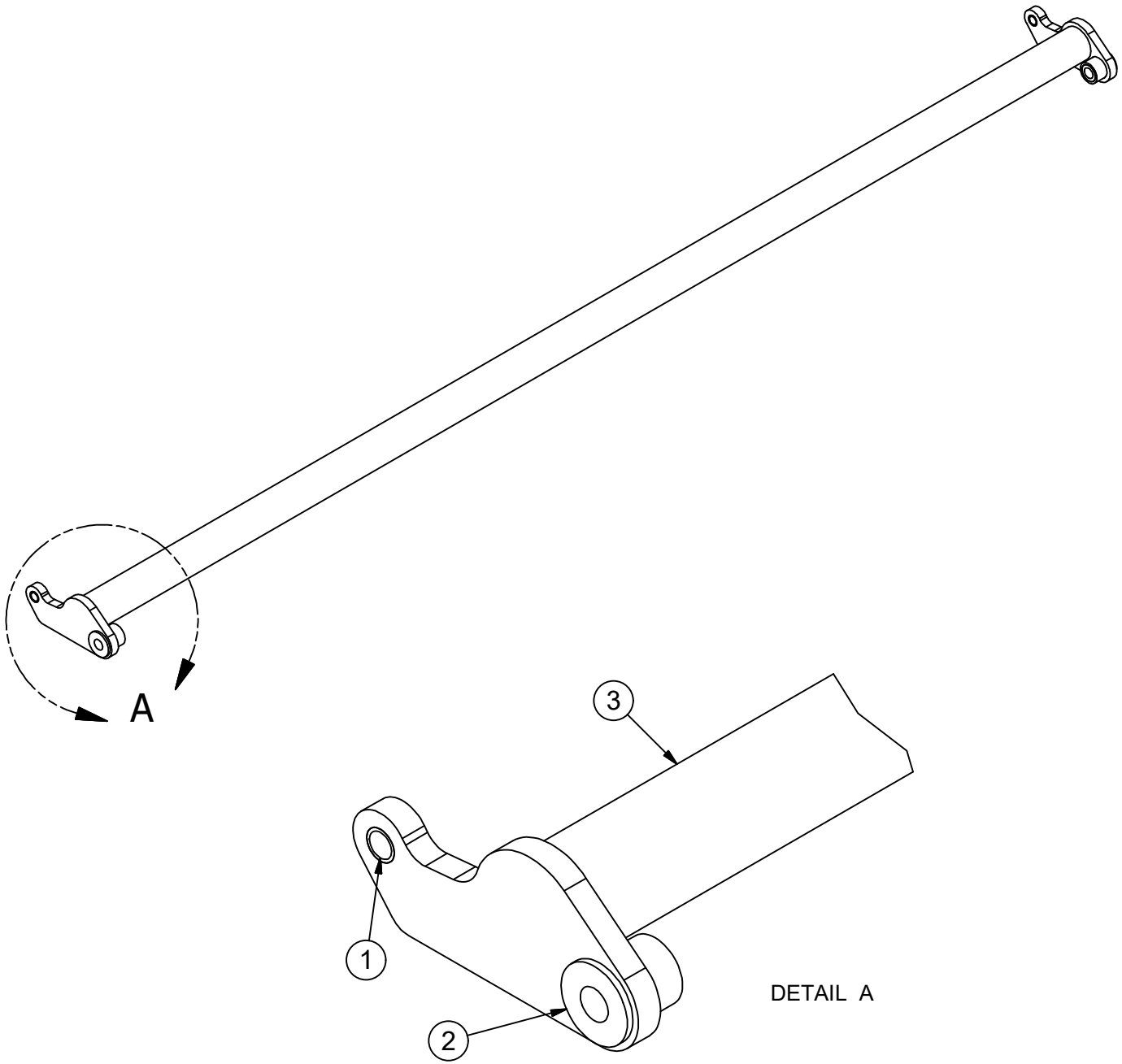


# Caster Wheel Adjustable Linkage



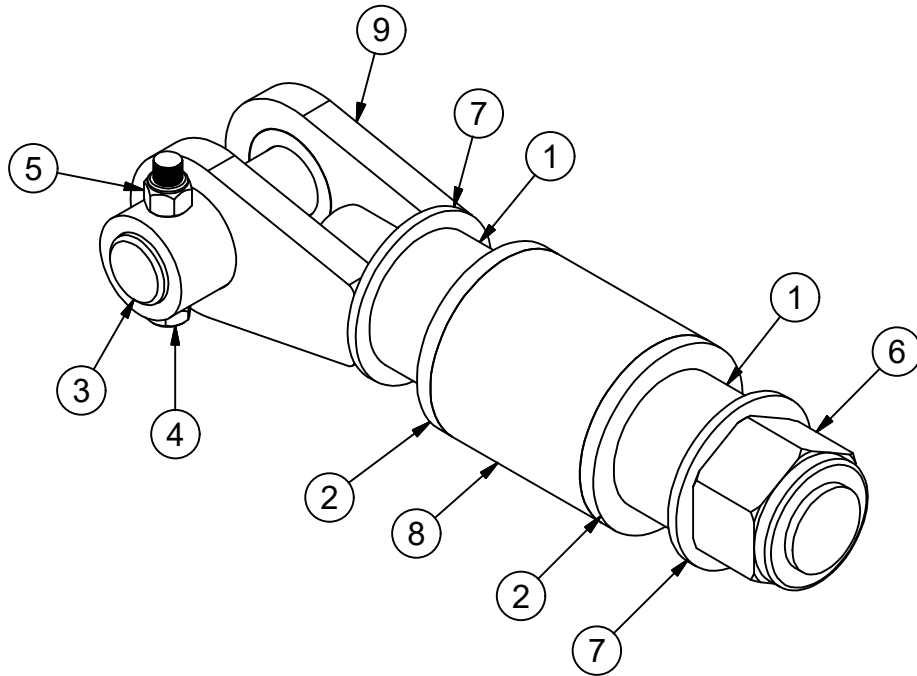
Caster Wheel Adjustable Linkage			Caster Wheel Adjustable Linkage		
ITEM	PART NUMBER	DESCRIPTION	ITEM	PART NUMBER	DESCRIPTION
1		Pin, 1" x 3-5/8" YZP	5	R1010004	Connex 1-1/4"OD x 1"ID x 1"L
2		Bolt, Grade 5, 3/8"-16 x 2-1/4"	6		Adjustable Pin Bracket
3		Nut: 1-1/4"	7		Caster Wheel Linkage Bar - Main
4		Nut, Nylon Insert Lock, Grade 2, 3/8"-16			

# Rock Shaft Assembly



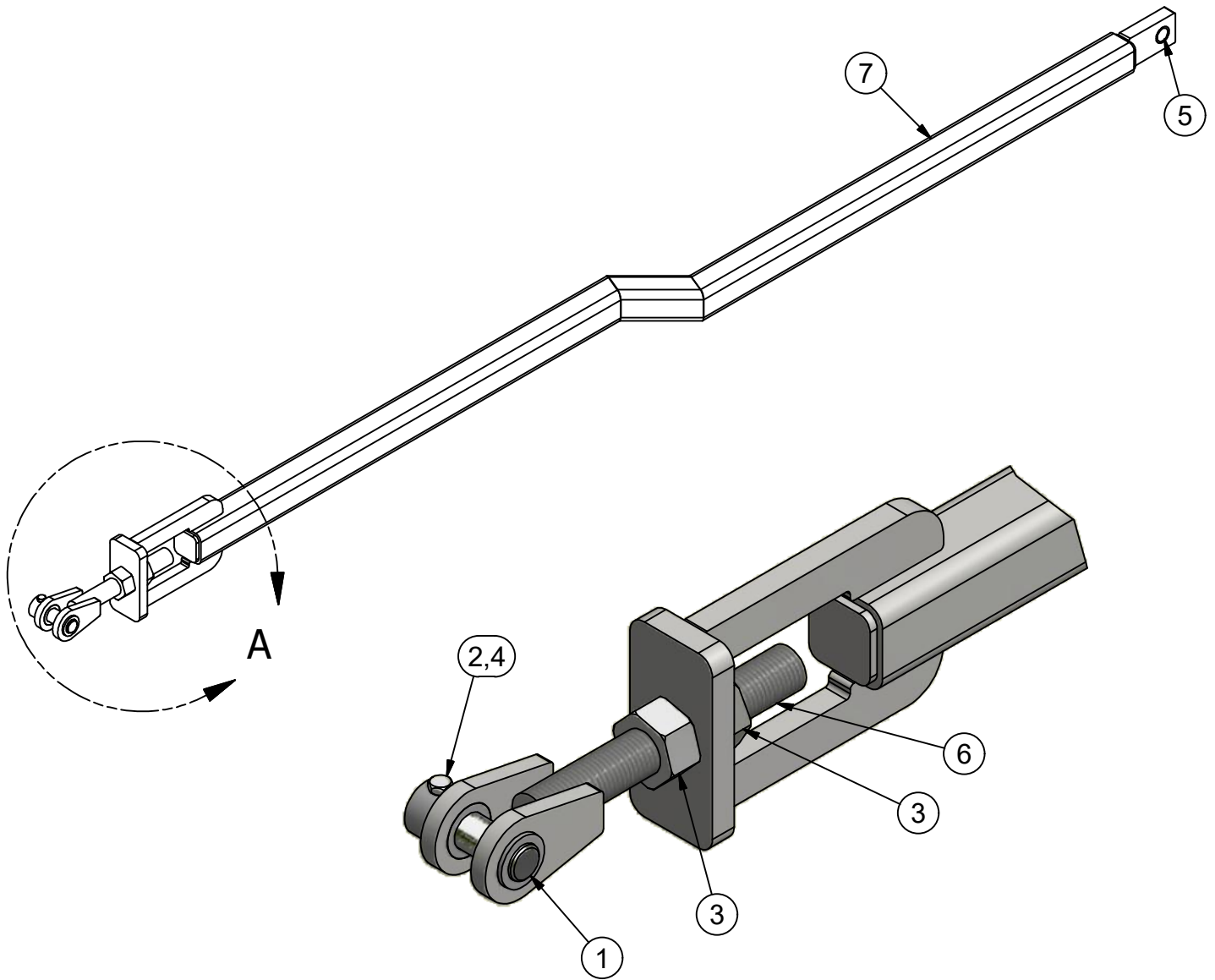
Rock Shaft Assembly			Rock Shaft Assembly		
ITEM	PART NUMBER	DESCRIPTION	ITEM	PART NUMBER	DESCRIPTION
1	R1010004	Connex 1-1/4"OD x 1"ID x 1"L	3		Rock Shaft
2		Polyurethane Pin Bushing			

# Torsion Assembly - Main



Torsion Assembly - Main			Torsion Assembly - Main		
ITEM	PART NUMBER	DESCRIPTION	ITEM	PART NUMBER	DESCRIPTION
1		Torque Bushing	6		Nut, Nylon Insert Lock, Grade 2, 1-1/4"-7
2		Torque Spacer	7		Washer, SAE, 1-1/4" x 2.500"
3		Pin, 1" x 3-5/8" YZP	8		Torque Insert
4		Bolt, Grade 5, 3/8"-16 x 2-1/4"	9		Adjustable Pin Bracket
5		Nut, Nylon Insert Lock, Grade 2, 3/8"-16			

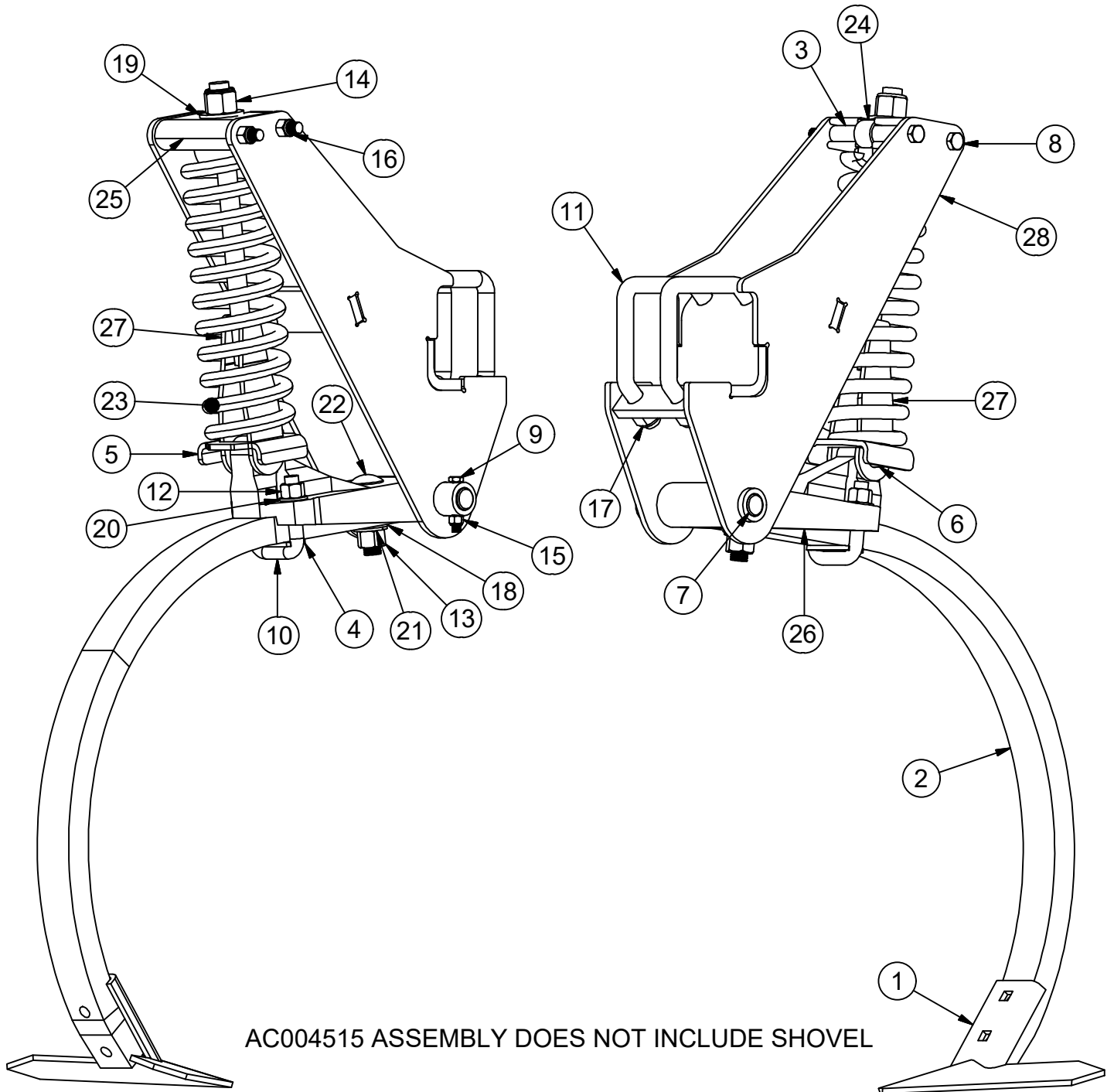
# Caster Wheel Linkage Bar - Wing



DETAIL A

Caster Wheel Linkage Bar - Wing			Caster Wheel Linkage Bar - Wing		
ITEM	PART NUMBER	DESCRIPTION	ITEM	PART NUMBER	DESCRIPTION
1		Pin, 1" x 3-5/8" YZP	5	R1010004	Connex 1-1/4"OD x 1"ID x 1"L
2		Bolt, Grade 5, 3/8"-16 x 2-1/4"	6		Adjustable Pin Bracket
3		Nut: 1-1/4"	7		Caster Wheel Linkage Bar - Wing
4		Nut, Nylon Insert Lock, Grade 2, 3/8"-16			

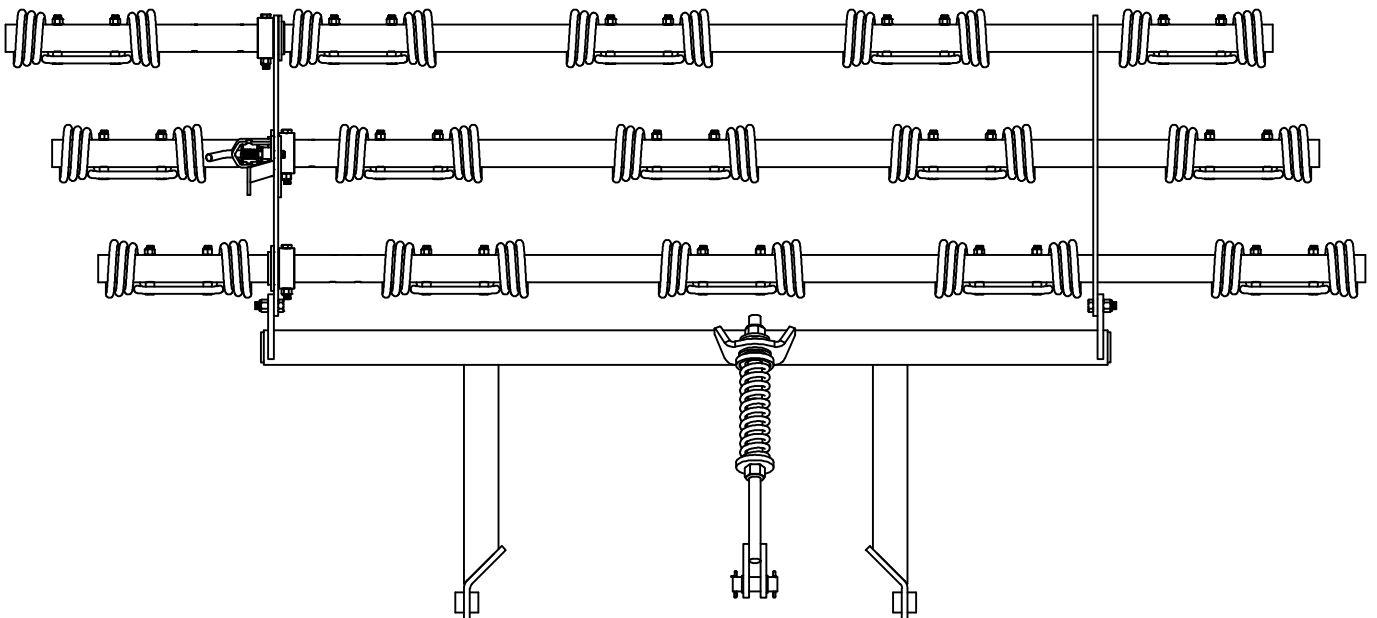
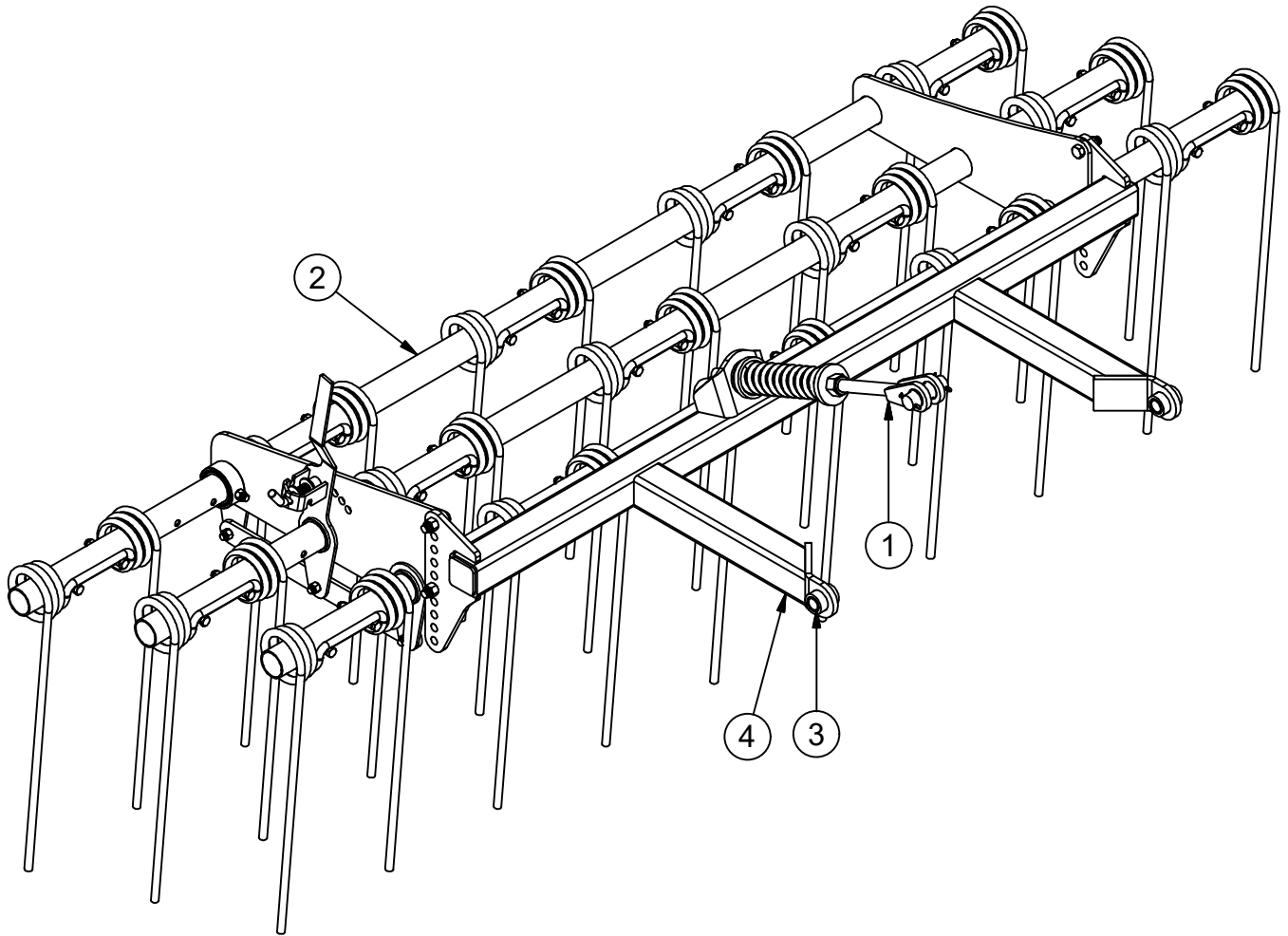
# Spring Body / Shank Assembly



AC004515 ASSEMBLY DOES NOT INCLUDE SHOVEL

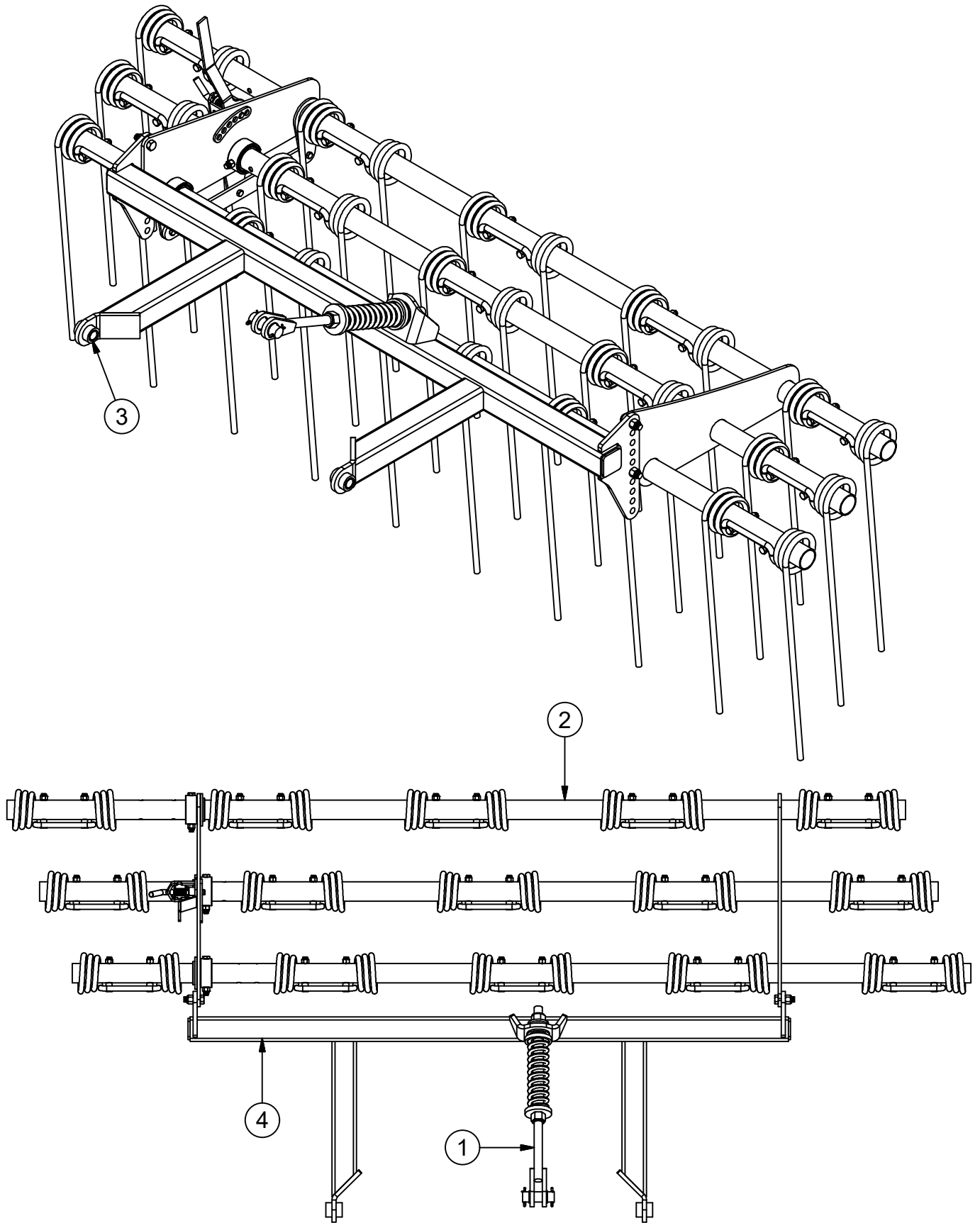
AC004515: Spring Body / Shank Assembly			AC004515: Spring Body / Shank Assembly		
ITEM	PART NUMBER	DESCRIPTION	ITEM	PART NUMBER	DESCRIPTION
1		Sweep - 50	15		Nut, Nylon Insert Lock, 3/8"-16
2	R0920001	Tine - IH	16		Nut, Nylon Insert Lock, 1/2"-13
3		Bushing, Tine	17		Nut, Nylon Insert Lock, 3/4"-10
4		U-Bolt Shim	18		Washer, Flat: 3/4"
5		Base, Spring	19		Washer, 1" x 2" O.D.
6		Pin, 3/4" x 3-1/4" YZP	20		Lock Washer, 5/8"
7		Pin, 1" x 7" YZP	21		Lock Washer, 3/4"
8		Bolt: 1/2" x 6-1/2"	22		Bolt, Carriage: 3/4" x 2-1/2"
9		Bolt, 3/8"-16 x 2-1/4"	23	R0941501	Spring, Compression, HD
10	R0282382	U-Bolt: 5/8" x 3-1/8"x2"	24	R1010004	Connex 1-1/4"OD x 1"ID x 1"L
11	R0287100	V-Bolt, Custom: Flex Cultivator	25	R9901007	Spring Retention Body
12		Nut, Hex, 5/8" -11 ZF	26	R9901006	Cast, Shank
13		Nut, Hex, 3/4"-10	27	WC004530	Spring Inner Tensioner
14		Nut, Lock: 7/8"	28		Spring Body

Harrow Assembly, 3 Row, RH: 10'



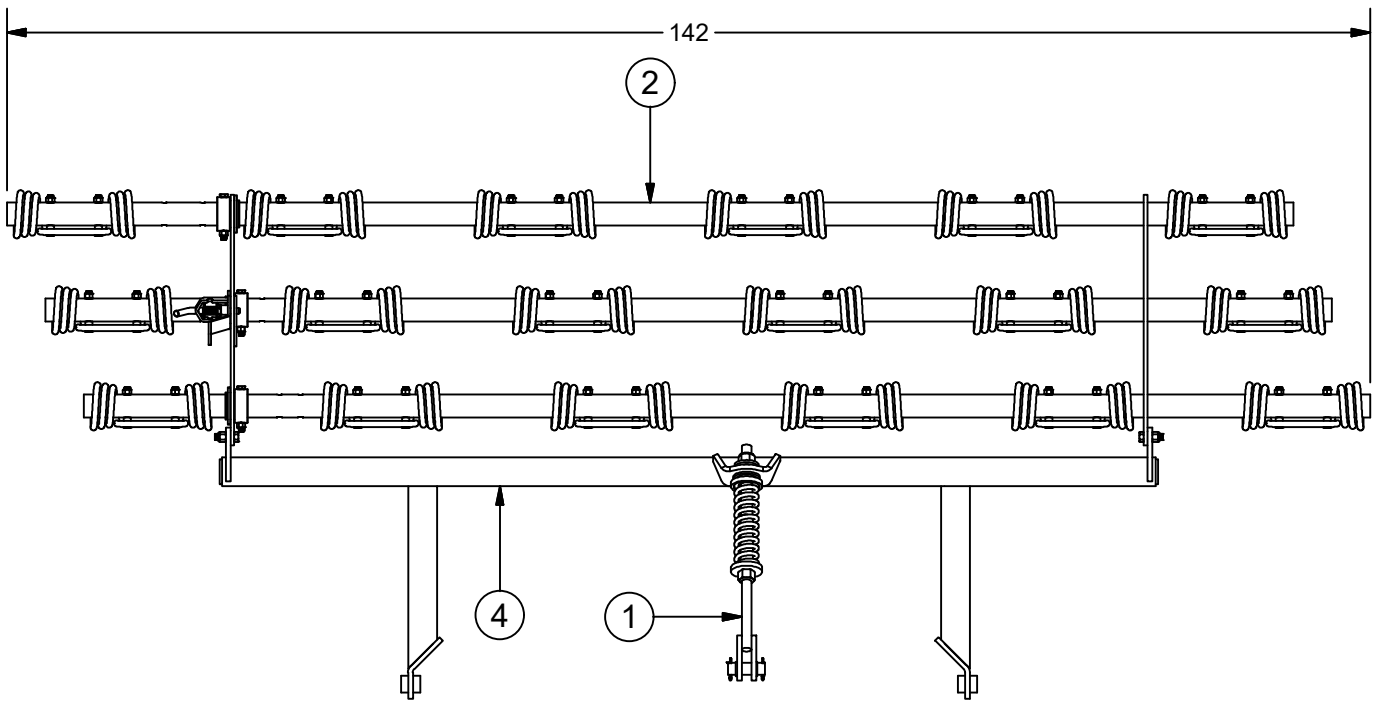
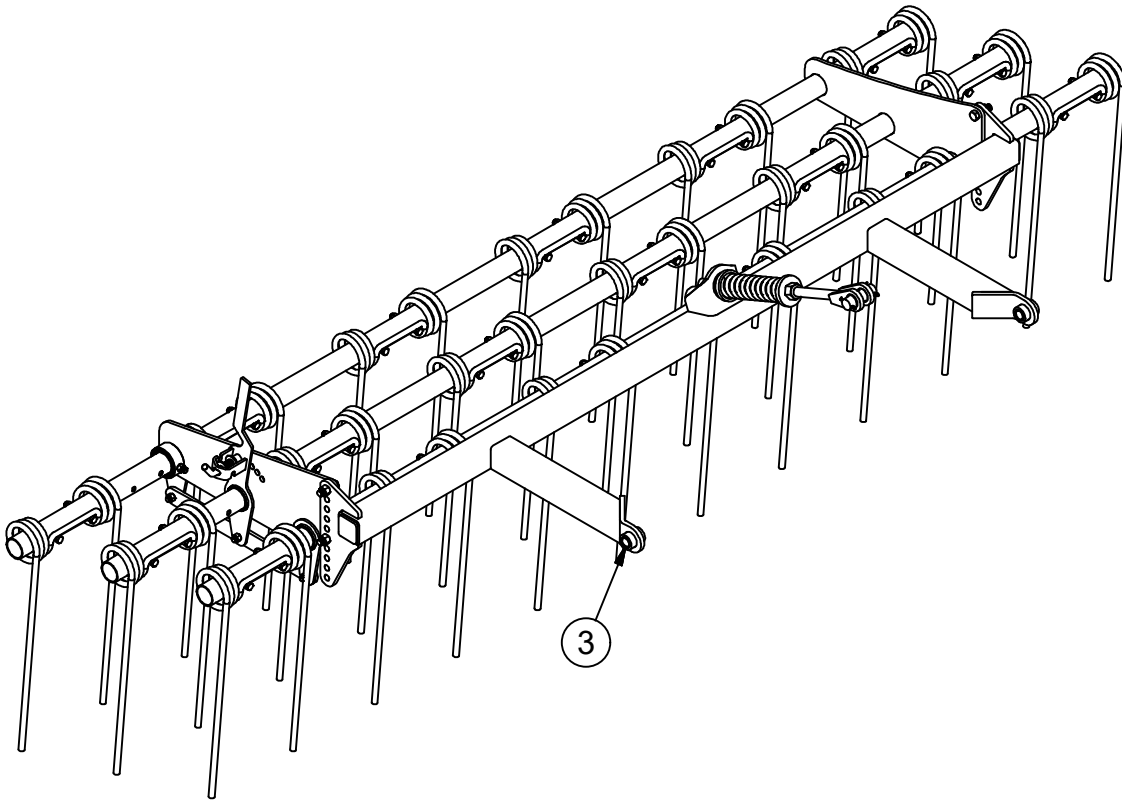
Harrow Assembly, 3 Row, RH: 10'			Harrow Assembly, 3 Row, RH: 10'		
ITEM	PART NUMBER	DESCRIPTION	ITEM	PART NUMBER	DESCRIPTION
1		Harrow Adjustment Spring Mechanism	3	R1010004	Connex 1-1/4"OD x 1"ID x 1"L
2		Harrows, 3 Row: 120	4		Harrows Mount Frame, Left: 120

Harrow Assembly, 3 Row, LH: 10'



Harrow Assembly, 3 Row, LH: 10'			Harrow Assembly, 3 Row, LH: 10'		
ITEM	PART NUMBER	DESCRIPTION	ITEM	PART NUMBER	DESCRIPTION
1		Harrow Adjustment Spring Mechanism	3	R1010004	Connex 1-1/4"OD x 1"ID x 1"L
2		Harrows, 3 Row: 120	4		Harrows Mount Frame, Right: 120

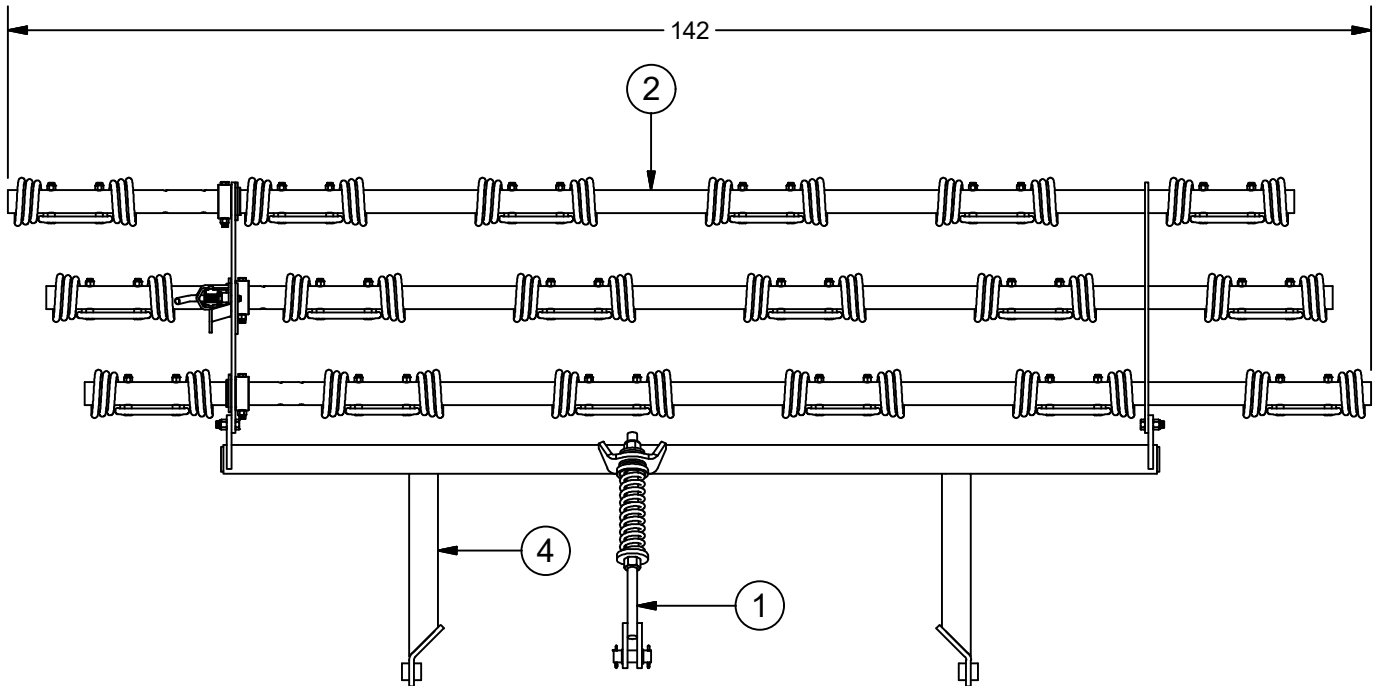
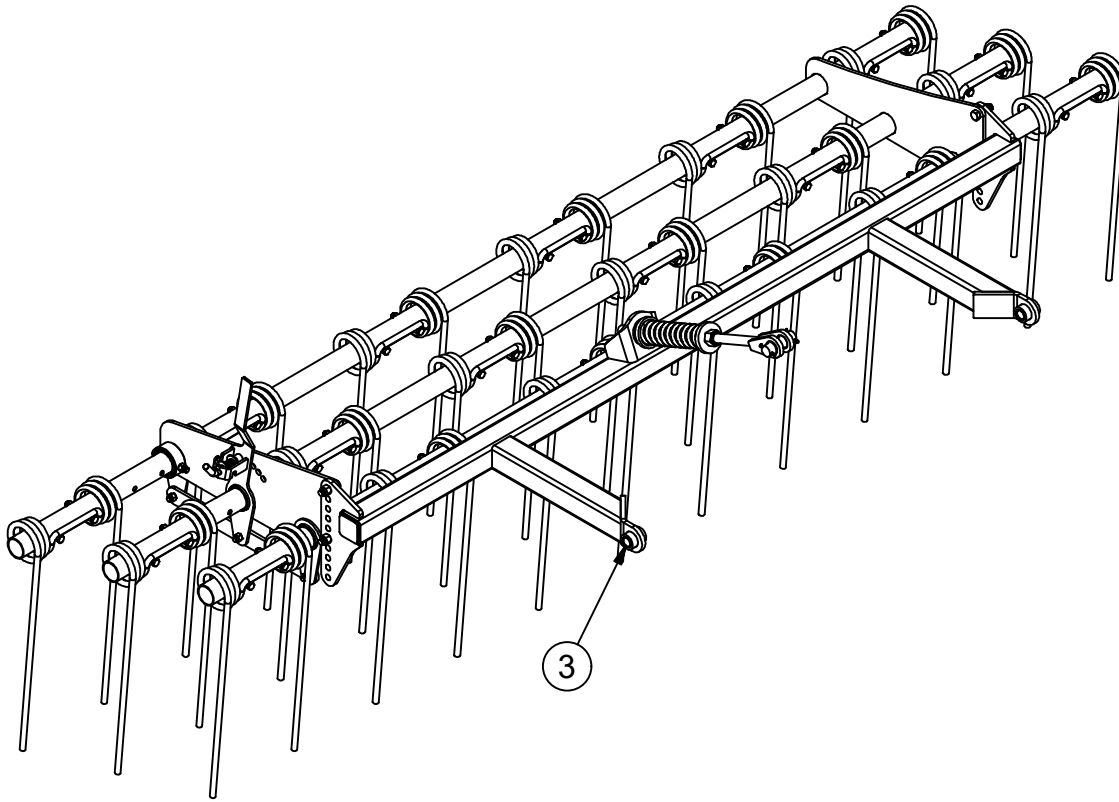
Harrow Assembly, 3 Row, RH: 12'



Harrow Assembly, 3 Row, RH: 12'			Harrow Assembly, 3 Row, RH: 12'		
ITEM	PART NUMBER	DESCRIPTION	ITEM	PART NUMBER	DESCRIPTION
1		Harrow Adjustment Spring Mechanism	3		Connex 1-1/4"OD x 1"ID x 1"L
2		Harrows, 3 Row: 144	4		Harrows Mount Frame, Right: 144

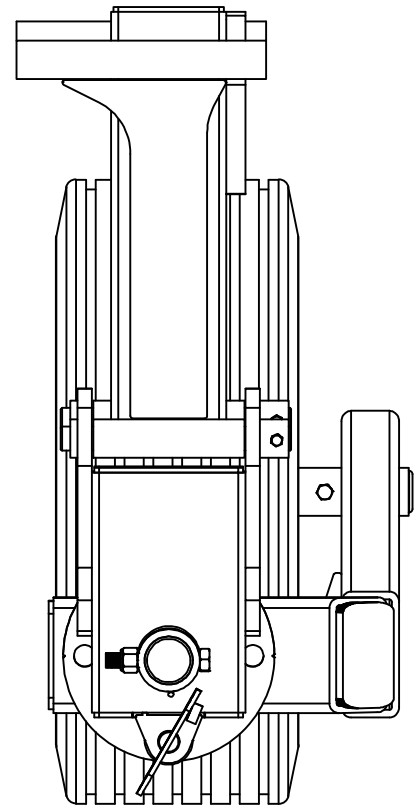
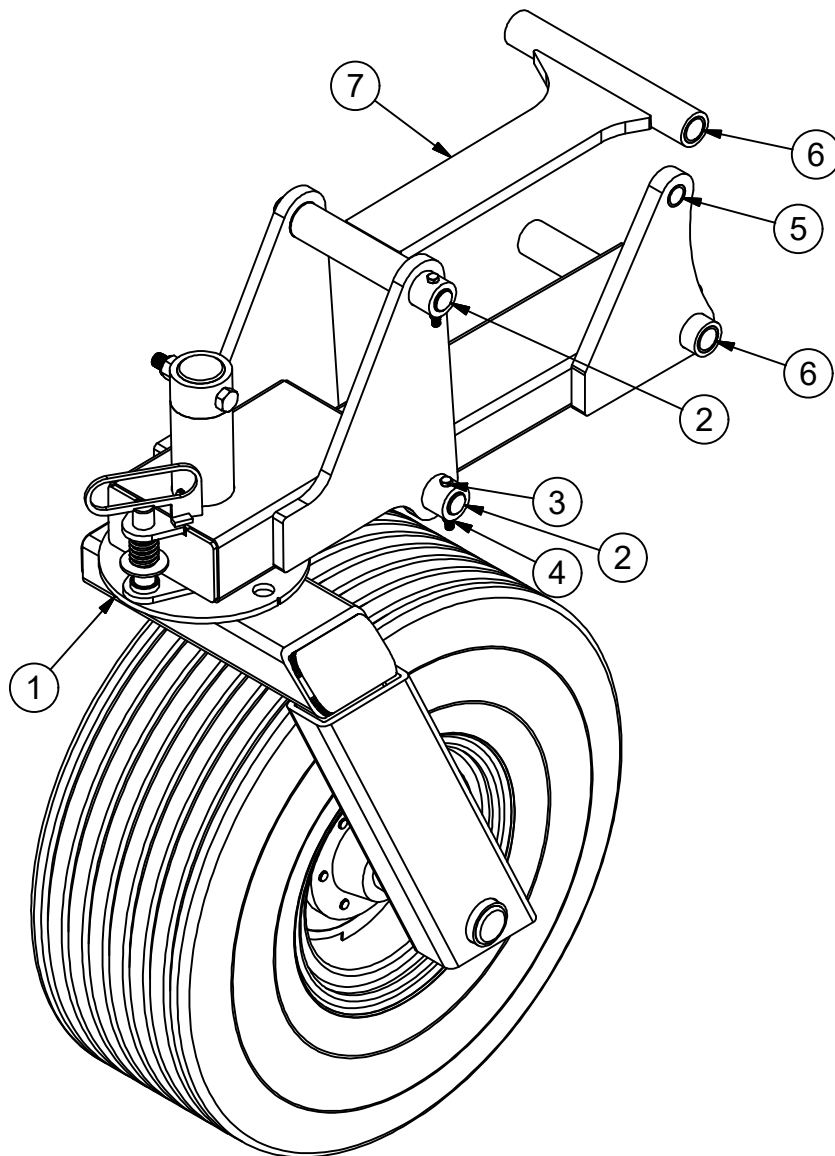


Harrow Assembly, 3 Row, LH: 12'



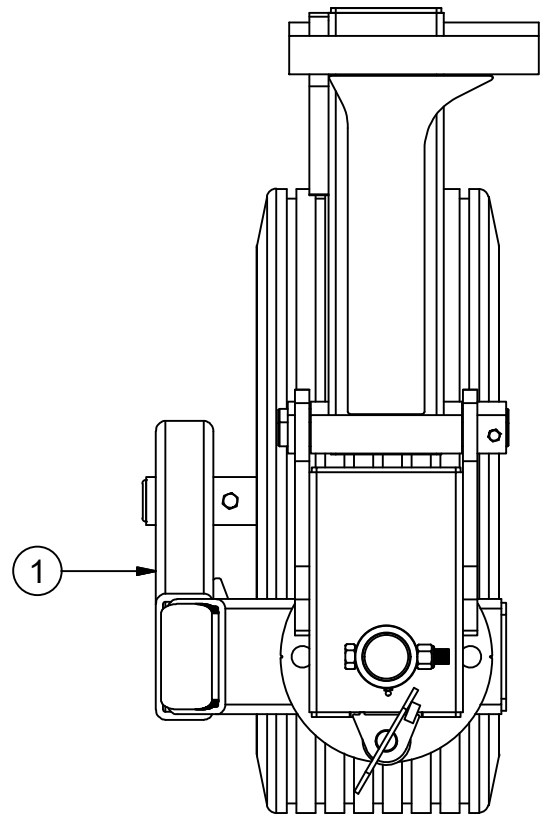
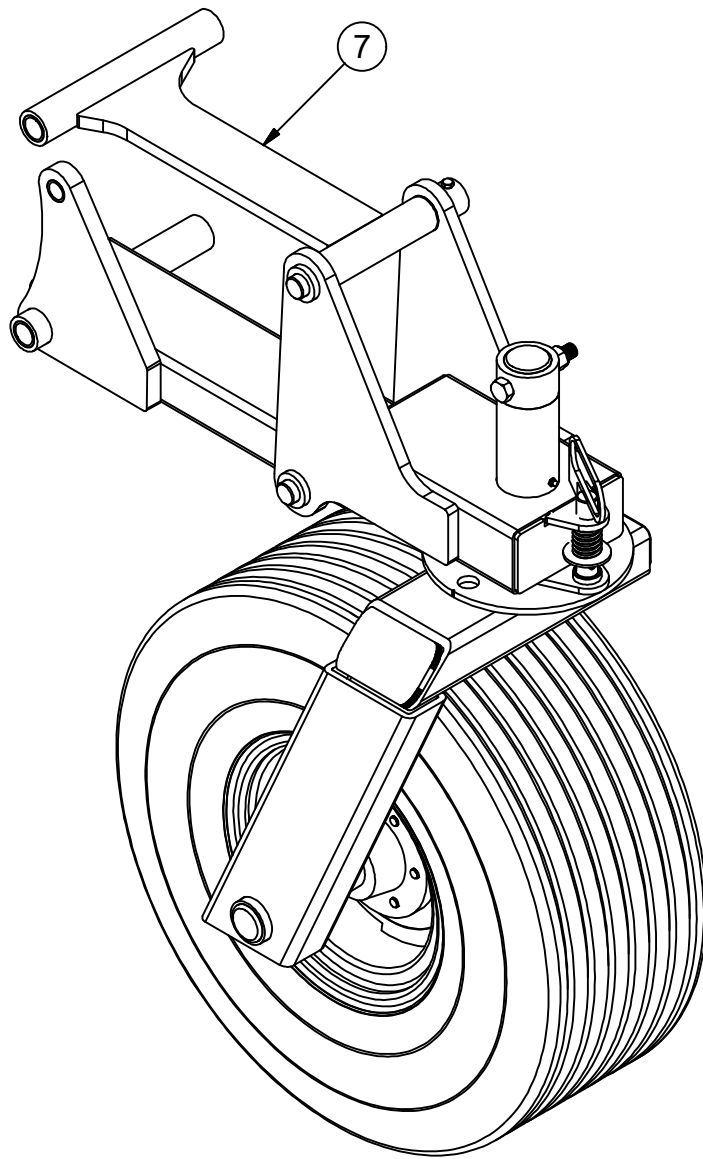
Harrow Assembly, 3 Row, LH: 12'			Harrow Assembly, 3 Row, LH: 12'		
ITEM	PART NUMBER	DESCRIPTION	ITEM	PART NUMBER	DESCRIPTION
1		Harrow Adjustment Spring Mechanism	3	R1010004	Connex 1-1/4"OD x 1"ID x 1"L
2		Harrows : 12'	4		Harrows Mount Frame, Left: 144

# Caster Wheel Assembly - Right



Caster Wheel Assembly - Right			Caster Wheel Assembly - Right		
ITEM	PART NUMBER	DESCRIPTION	ITEM	PART NUMBER	DESCRIPTION
1		Wheel Assembly - Right Front	5	R1010004	Connex 1-1/4"OD x 1"ID x 1"L
2		Pin, 1-1/4" x 12" YZP	6	R1012501	Connex 1-1/2"OD x 1-1/4"ID x 1"L
3		Bolt, Grade 5, 3/8"-16 x 3"	7		Parallel Linkage Upper Arm
4		Nut, Nylon Insert Lock, Grade 2, 3/8"-16	8		Parallel Linkage Lower Arm

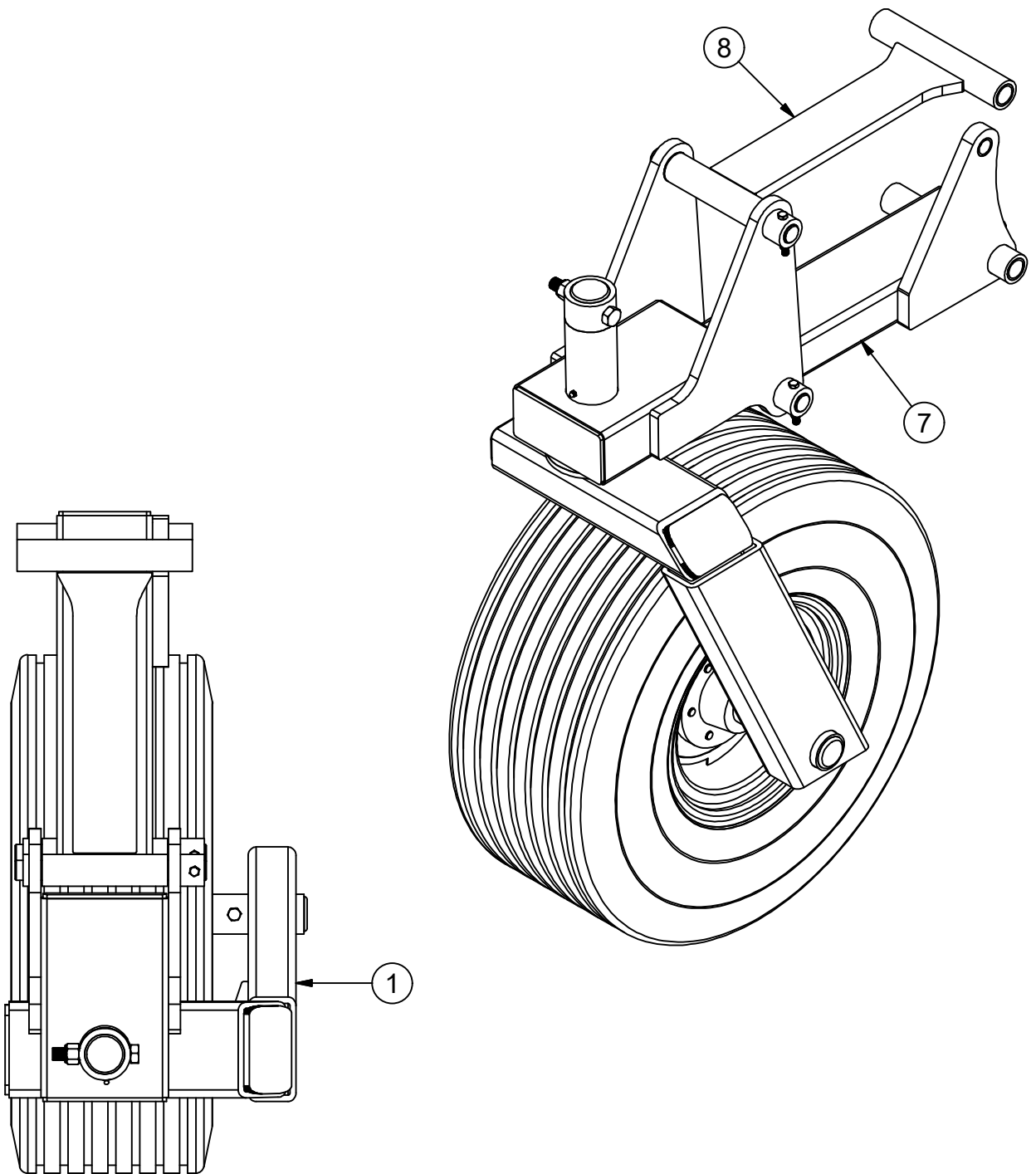
Caster Wheel Assembly, Main - Left



SEE PAGE 31 FOR ITEMS  
NOT SHOWN ON THIS PAGE

Caster Wheel Assembly, Main - Left			Caster Wheel Assembly, Main - Left		
ITEM	PART NUMBER	DESCRIPTION	ITEM	PART NUMBER	DESCRIPTION
1		Wheel Assembly - Left Front	5		Connex 1-1/4"OD x 1"ID x 1"L
2		Pin, 1-1/4" x 12" YZP	6		Connex 1-1/2"OD x 1-1/4"ID x 1"L
3		Bolt, Grade 5, 3/8"-16 x 3"	7		Parallel Linkage Upper Arm
4		Nut, Nylon Insert Lock, Grade 2, 3/8"-16	8		Parallel Linkage Lower Arm

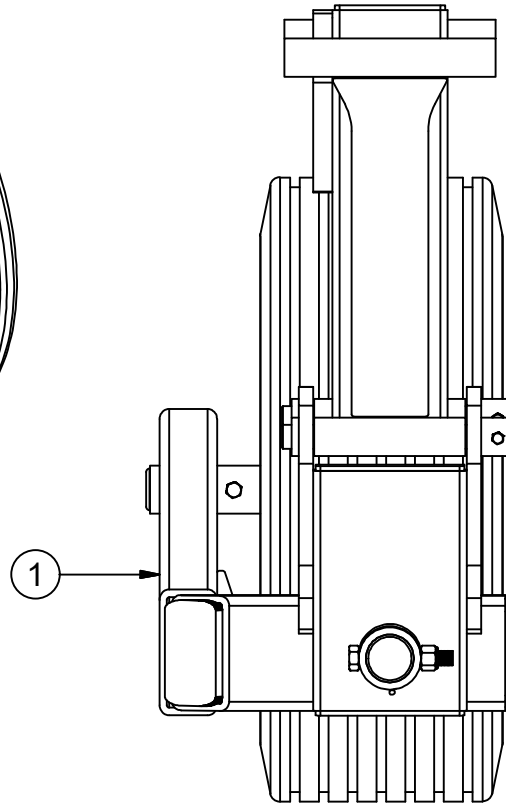
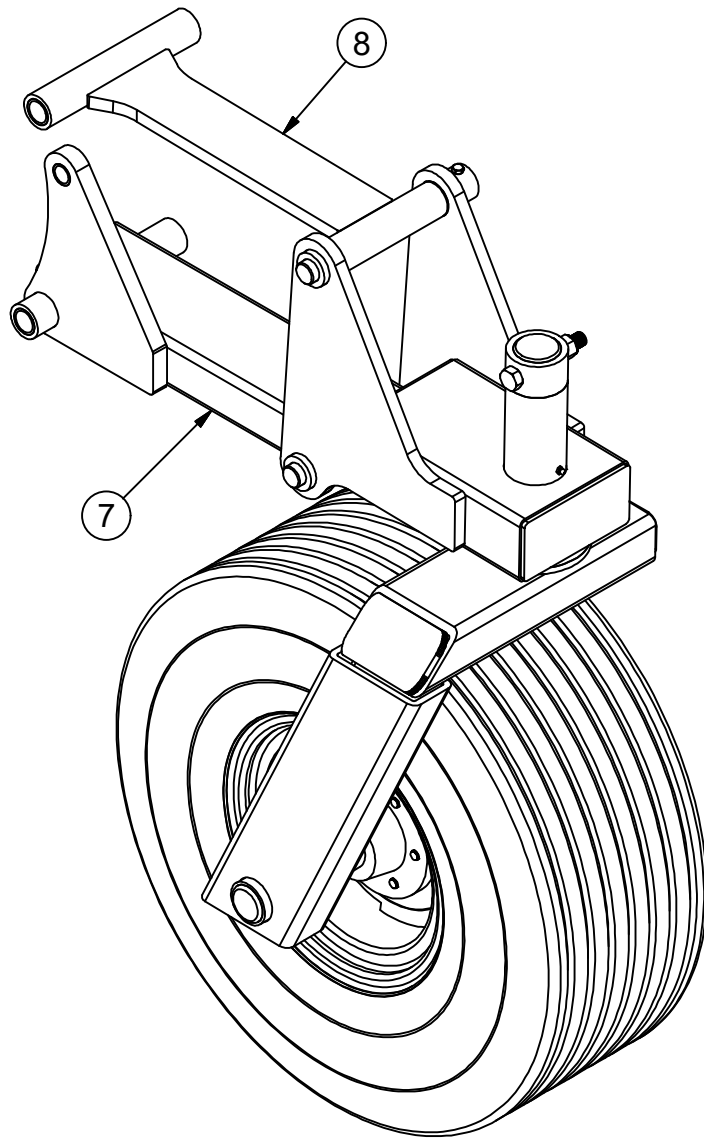
Caster Wheel Assembly, Wing - Right



SEE PAGE 31 FOR ITEMS  
NOT SHOWN ON THIS PAGE

Caster Wheel Assembly, Wing - Right			Caster Wheel Assembly, Wing - Right		
ITEM	PART NUMBER	DESCRIPTION	ITEM	PART NUMBER	DESCRIPTION
1		Wheel Assembly - Right Front	5	R1010004	Connex 1-1/4"OD x 1"ID x 1"L
2		Pin, 1-1/4" x 12" YZP	6	R1012501	Connex 1-1/2"OD x 1-1/4"ID x 1"L
3		Bolt, Grade 5, 3/8"-16 x 3"	7		Parallel Linkage Lower Arm
4		Nut, Nylon Insert Lock, Grade 2, 3/8"-16	8		Parallel Linkage Upper Arm

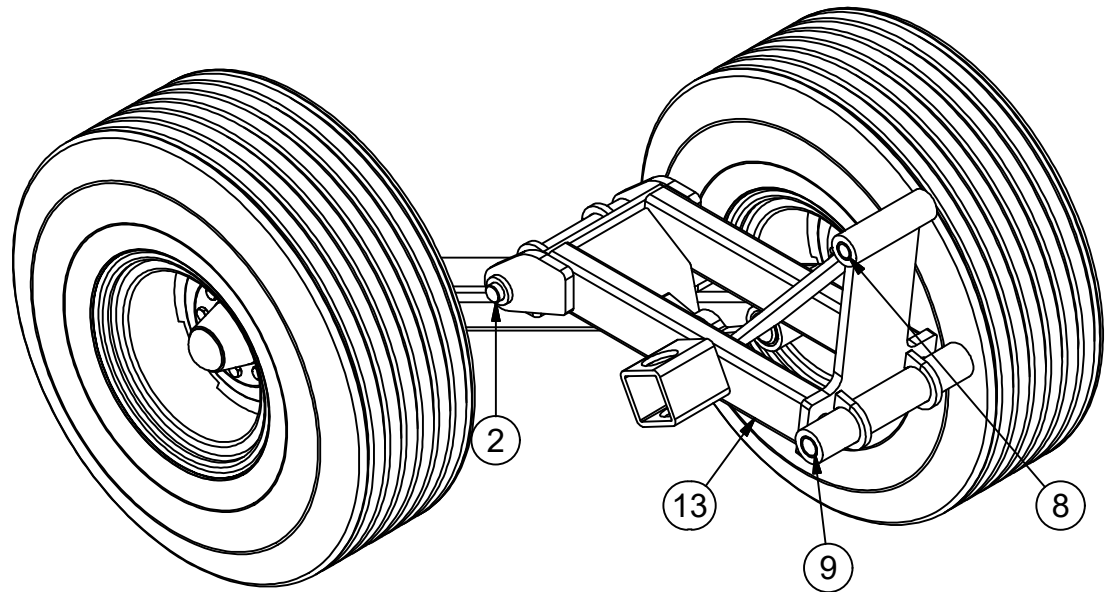
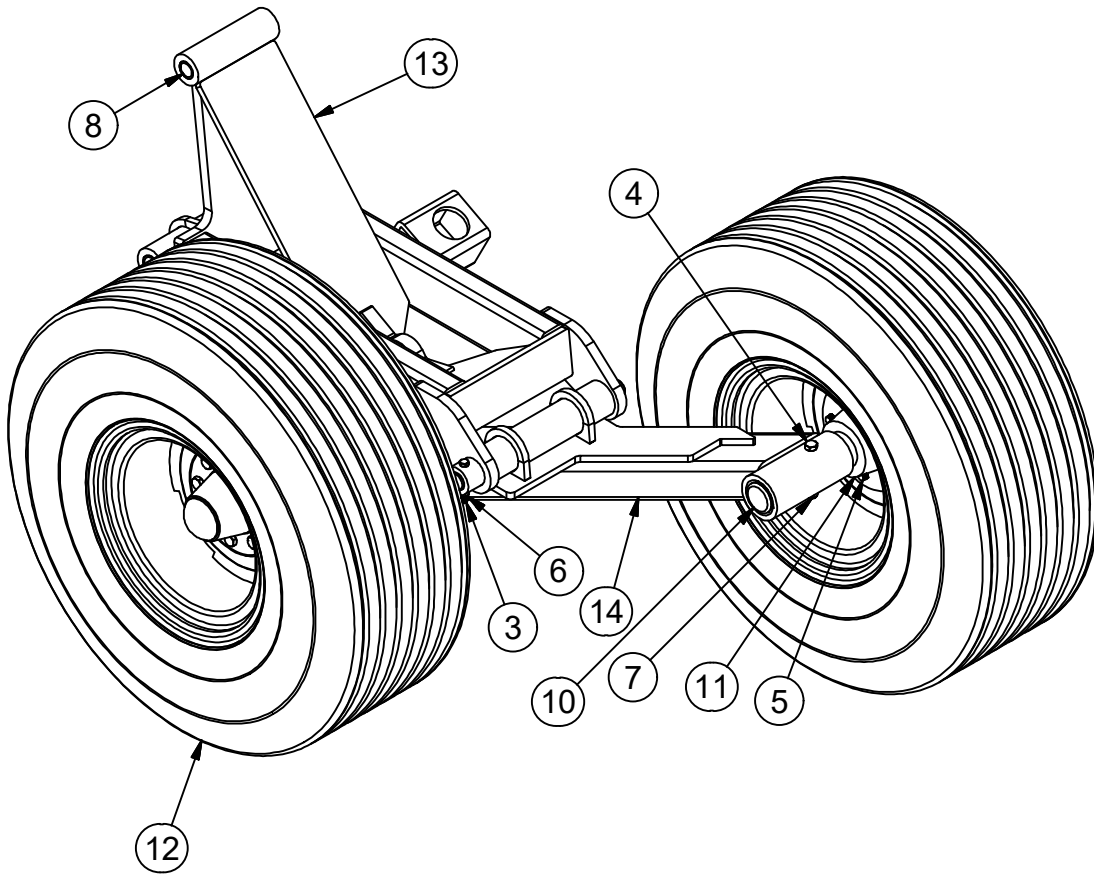
# Caster Wheel Assembly, Wing - Left



SEE PAGE 31 FOR ITEMS  
NOT SHOWN ON THIS PAGE

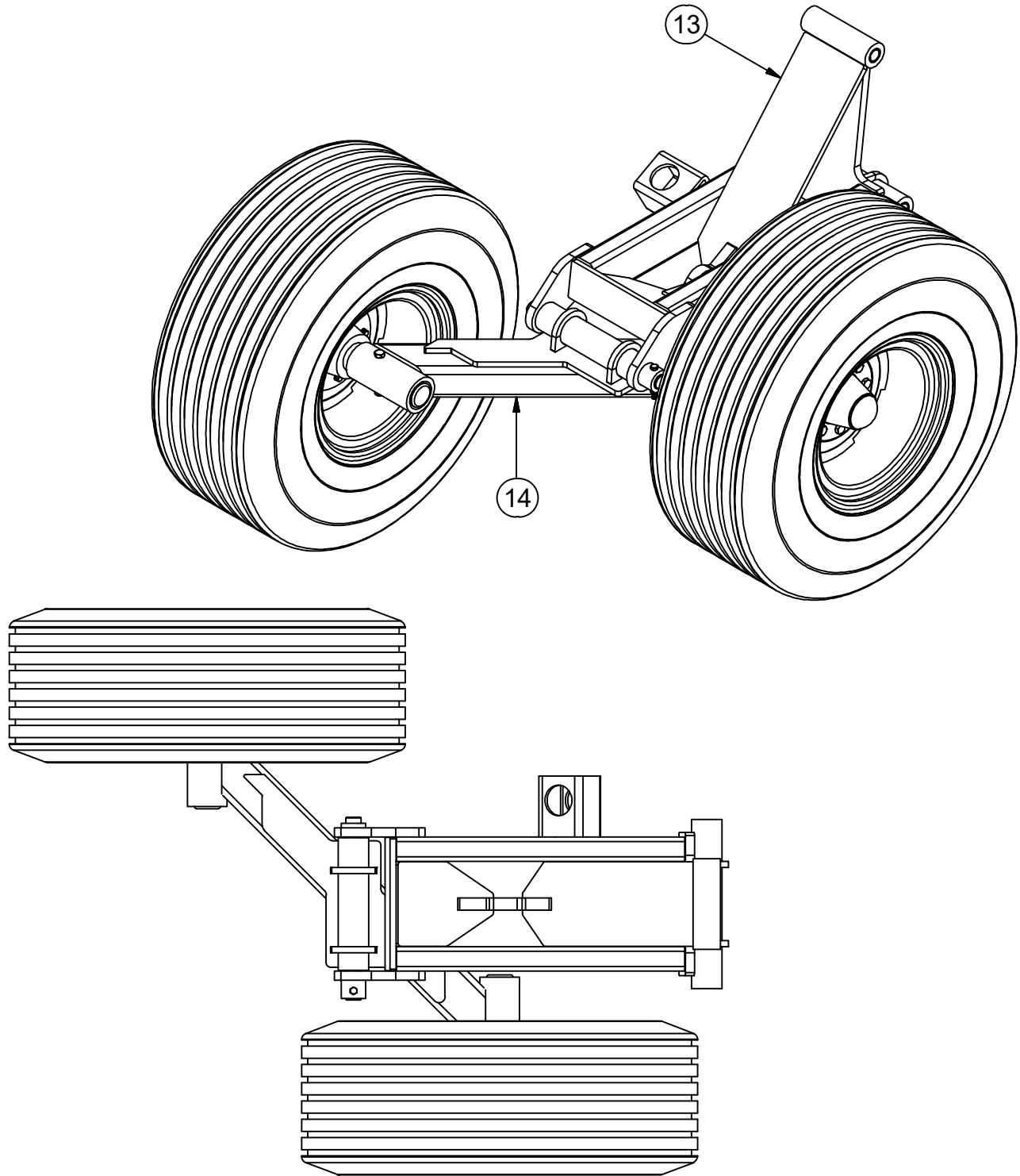
Caster Wheel Assembly, Wing - Left			Caster Wheel Assembly, Wing - Left		
ITEM	PART NUMBER	DESCRIPTION	ITEM	PART NUMBER	DESCRIPTION
1		Wheel Assembly - Left Front	5	R1010004	Connex 1-1/4"OD x 1"ID x 1"L
2		Pin, 1-1/4" x 12" YZP	6	R1012501	Connex 1-1/2"OD x 1-1/4"ID x 1"L
3		Bolt, Grade 5, 3/8"-16 x 3"	7		Parallel Linkage Lower Arm
4		Nut, Nylon Insert Lock, Grade 2, 3/8"-16	8		Parallel Linkage Upper Arm

# Main Frame Wheel Assembly - Right Rear



Main Frame Wheel Assembly - Right Rear			Main Frame Wheel Assembly - Right Rear		
ITEM	PART NUMBER	DESCRIPTION	ITEM	PART NUMBER	DESCRIPTION
1	KW100008	8 Bolt With Firestone Tires	8	R1010004	Connex 1-1/4"OD x 1"ID x 1"L
2		Pin, 1-1/4" x 15" YZP	9	R1012501	Connex 1-1/2"OD x 1-1/4"ID x 1"L
3		Bolt, Grade 5, 3/8"-16 x 3"	10		Cap, Walking Axle
4		Bolt, Grade 8, 1/2"-13 x 4"	11	R9903008-01	Assembly, 8 bolt Wheel Hub/Spindle
5	R0150713	Bolt, Lug (Fine): 9/16"-18 x 1-1/4"	12	R9908009	Wheel, Floatation, 8 Bolt: 32
6		Nut, Nylon Insert Lock, Grade 2, 3/8"-16	13		Wheel Standard - Main Frame
7		Nut, Nylon Insert Lock, Grade 2, 1/2"-13	14		Walking Axle - Right

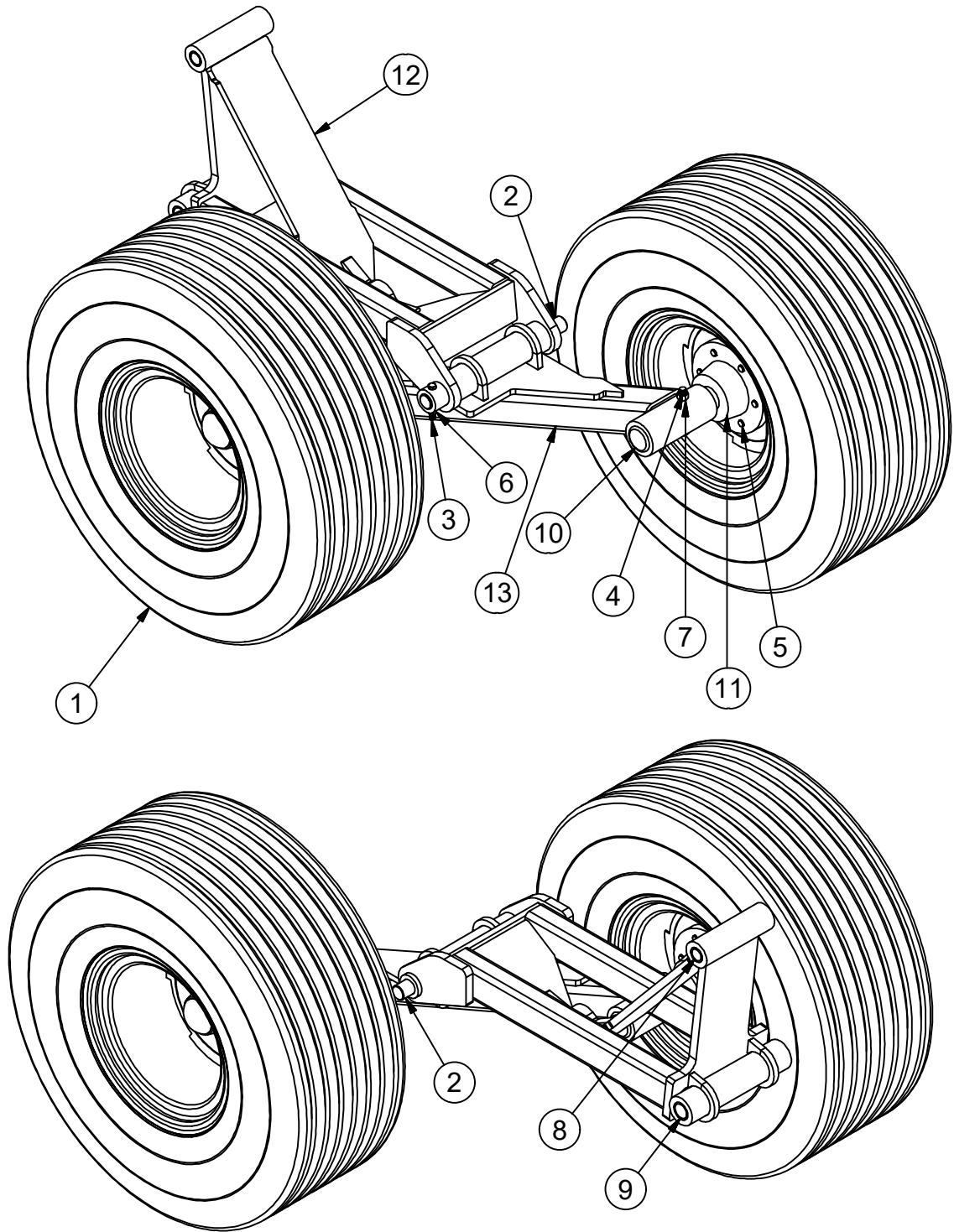
# Main Frame Wheel Assembly - Left Rear



SEE PAGE 35 FOR ITEMS  
NOT SHOWN ON THIS PAGE

Main Frame Wheel Assembly - Left Rear			Main Frame Wheel Assembly - Left Rear		
ITEM	PART NUMBER	DESCRIPTION	ITEM	PART NUMBER	DESCRIPTION
1	KW100008	8 Bolt With Firestone Tires	8	R1010004	Connex 1-1/4"OD x 1"ID x 1"L
2		Pin, 1-1/4" x 15" YZP	9	R1012501	Connex 1-1/2"OD x 1-1/4"ID x 1"L
3		Bolt, Grade 5, 3/8"-16 x 3"	10		Cap, Walking Axle
4		Bolt, Grade 8, 1/2"-13 x 4"	11	R9903008-01	Assembly, 8 bolt Wheel Hub/Spindle
5	R0150713	Bolt, Lug (Fine): 9/16"-18 x 1-1/4"	12	R9908009	Wheel, Floatation, 8 Bolt: 32
6		Nut, Nylon Insert Lock, Grade 2, 3/8"-16	13		Wheel Standard - Main Frame
7		Nut, Nylon Insert Lock, Grade 2, 1/2"-13	14		Walking Axle - Left

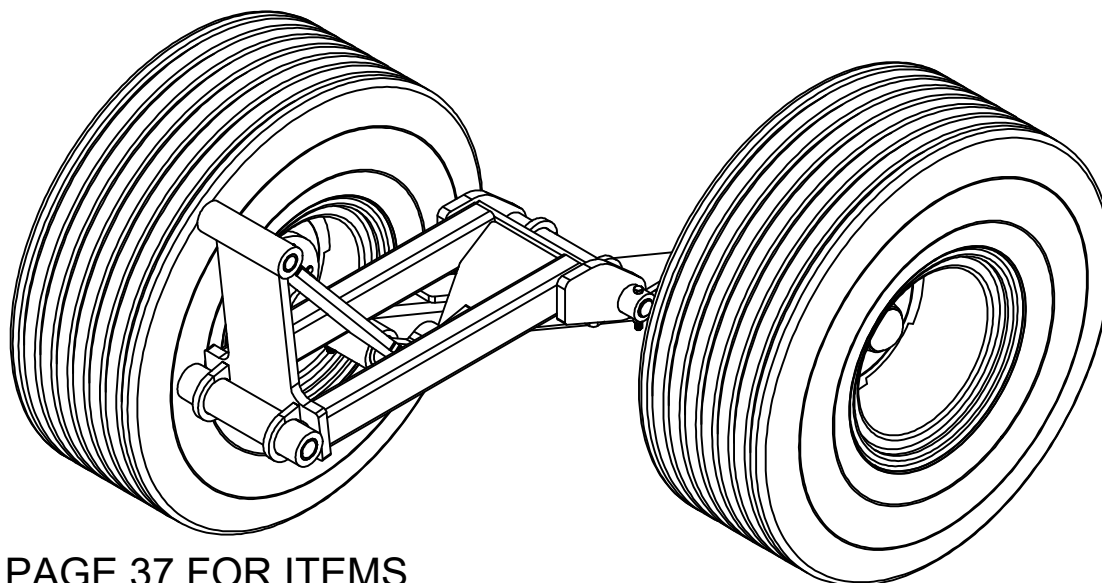
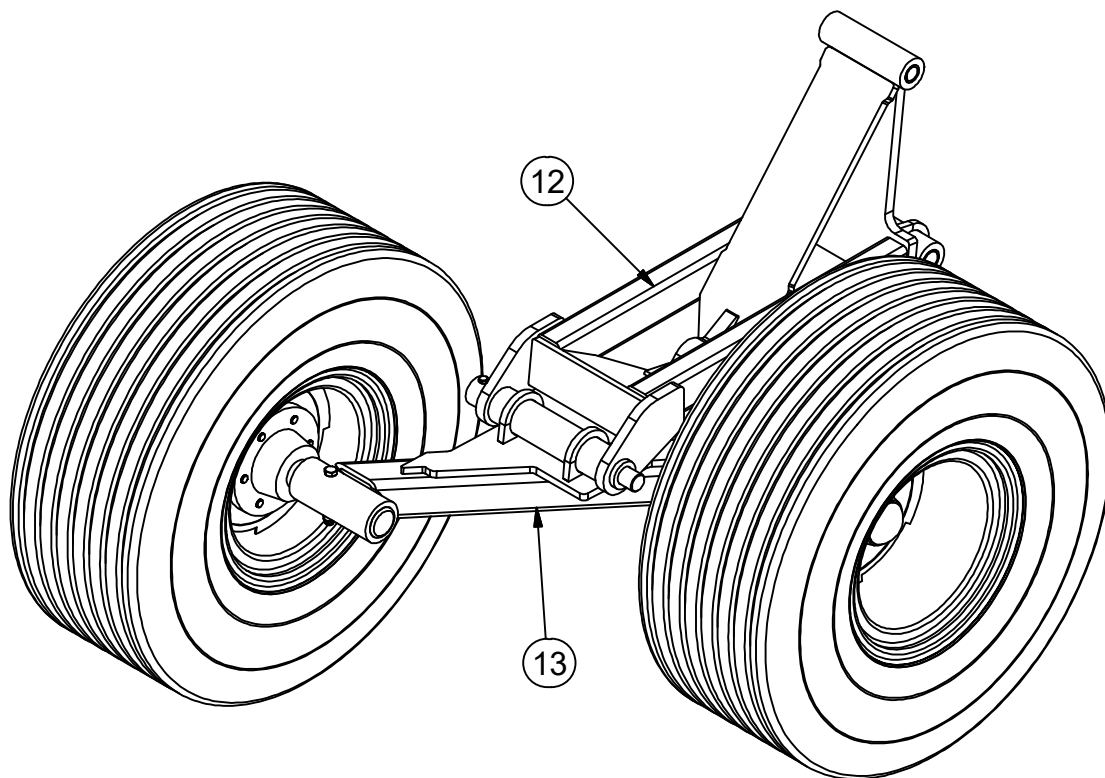
# Inner Wing Wheel Assembly - Right Rear



Inner Wing Wheel Assembly - Right Rear			Inner Wing Wheel Assembly - Right Rear		
ITEM	PART NUMBER	DESCRIPTION	ITEM	PART NUMBER	DESCRIPTION
1	KW100004	6 Bolt Wheel with Firestone Tire	8	R1010004	Connex 1-1/4"OD x 1"ID x 1"L
2		Pin, 1-1/4" x 15" YZP	9	R1012501	Connex 1-1/2"OD x 1-1/4"ID x 1"L
3		Bolt, Grade 5, 3/8"-16 x 3"	10		Cap, Walking Axle
4		Bolt, Grade 8, 1/2"-13 x 4"	11	R9903001-04	Assembly, 6 Bolt Wheel Hub / Spindle
5	R0150501	Bolt, Wheel Lug 1/2"-20 x 1"	12		Wheel Standard - Main Frame
6		Nut, Nylon Insert Lock, Grade 2, 3/8"-16	13		Walking Axle - Wing - Right
7		Nut, Nylon Insert Lock, Grade 2, 1/2"-13			



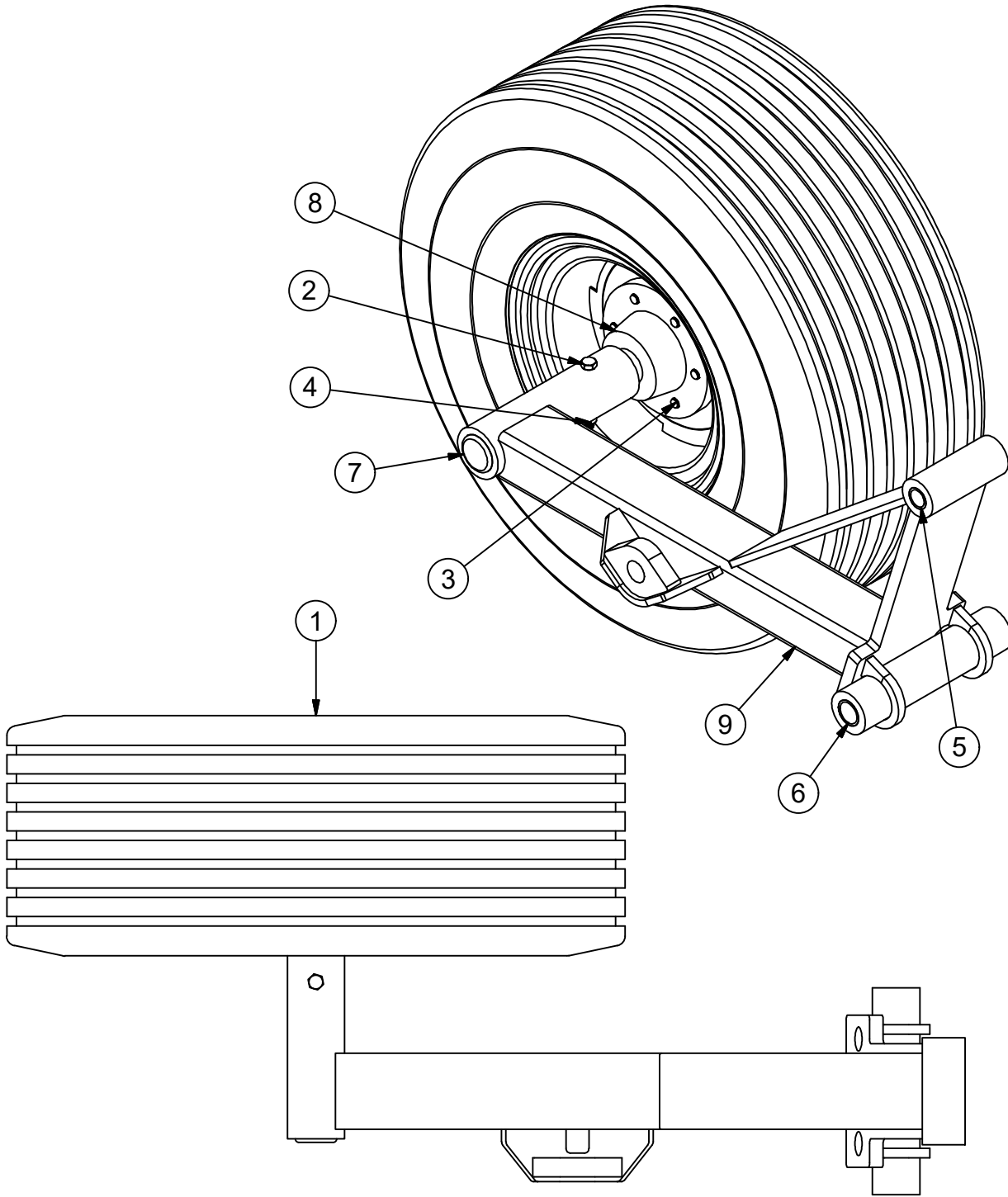
# Inner Wing Wheel Assembly - Left Rear



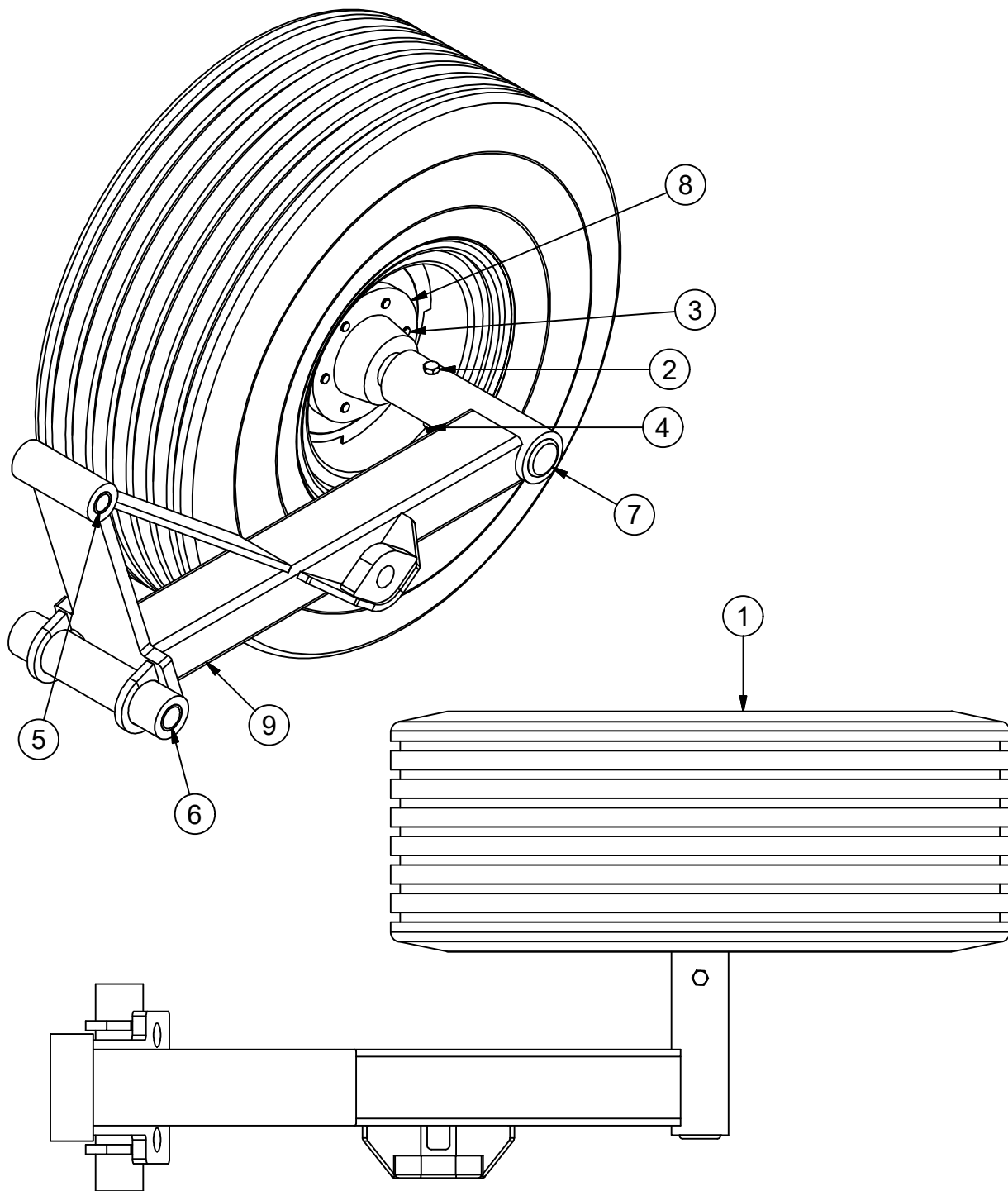
**SEE PAGE 37 FOR ITEMS  
NOT SHOWN ON THIS PAGE**

Inner Wing Wheel Assembly - Left Rear			Inner Wing Wheel Assembly - Left Rear		
ITEM	PART NUMBER	DESCRIPTION	ITEM	PART NUMBER	DESCRIPTION
1	KW100004	6 Bolt Wheel with Firestone Tire	8	R1010004	Connex 1-1/4"OD x 1"ID x 1"L
2		Pin, 1-1/4" x 15" YZP	9	R1012501	Connex 1-1/2"OD x 1-1/4"ID x 1"L
3		Bolt, Grade 5, 3/8"-16 x 3"	10		Cap, Walking Axle
4		Bolt, Grade 8, 1/2"-13 x 4"	11	R9903001-04	Assembly, 6 Bolt Wheel Hub / Spindle
5	R0150501	Bolt, Wheel Lug 1/2"-20 x 1"	12		Wheel Standard - Main Frame
6		Nut, Nylon Insert Lock, Grade 2, 3/8"-16	13		Walking Axle - Wing - Left
7		Nut, Nylon Insert Lock, Grade 2, 1/2"-13			

Wheel Standard Outer Right



Wheel Standard Outer Right			Wheel Standard Outer Right		
ITEM	PART NUMBER	DESCRIPTION	ITEM	PART NUMBER	DESCRIPTION
1	KW100004	6 Bolt Wheel with Firestone Tire	6	R1012501	Connex 1-1/2"OD x 1-1/4"ID x 1"L
2		Bolt, Grade 8, 1/2"-13 x 4"	7		Cap, Walking Axle
3	R0150501	Bolt, Wheel Lug 1/2"-20 x 1"	8	R9903001-04	Assembly, 6 Bolt Wheel Hub / Spindle
4		Nut, Nylon Insert Lock, Grade 2, 1/2"-13	9		Wheel Standard - Outer Right
5	R1010004	Connex 1-1/4"OD x 1"ID x 1"L			



Wheel Standard Outer Left			Wheel Standard Outer Left		
ITEM	PART NUMBER	DESCRIPTION	ITEM	PART NUMBER	DESCRIPTION
1	KW100004	6 Bolt Wheel with Firestone Tire	6	R1012501	Connex 1-1/2"OD x 1-1/4"ID x 1"L
2		Bolt, Grade 8, 1/2"-13 x 4"	7		Cap, Walking Axle
3	R0150501	Bolt, Wheel Lug 1/2"-20 x 1"	8	R9903001-04	Assembly, 6 Bolt Wheel Hub / Spindle
4		Nut, Nylon Insert Lock, Grade 2, 1/2"-13	9		Wheel Standard - Outer Left
5	R1010004	Connex 1-1/4"OD x 1"ID x 1"L			

# Depth Control

